



# FL3-SERIES MULTI-MOUNT FLOOD LIGHT



INTERCHANGEABLE  
MOUNTING ARM & SLIPFITTER  
ATTACHMENTS (OPTIONAL)



Catalog #	
Project	
Date	
Prepared by	
Model #	<b>FL3-1004T5-2-BK-TR</b>

## OVERVIEW

The FL3-Series Multi-Mount LED Flood Light is a high output, high efficiency commercial-grade flood light collection designed to make installation versatile and convenient. Each flood light includes a trunnion mount that can be removed and replaced with optional mounting attachments including a mounting arm or slip fitter, making these fixtures ready for any application.

## PRODUCT HIGHLIGHTS

- Optional interchangeable mounting arm or slipfitter attachments for easy installation in any application
- Operates in -40°F/-40°C degree outdoor weather
- 0-10V dimming for maximum control and energy savings
- IP65 rated for dust tight, protection against water projected from a nozzle
- Includes trunnion mount that can be detached for optional mounts

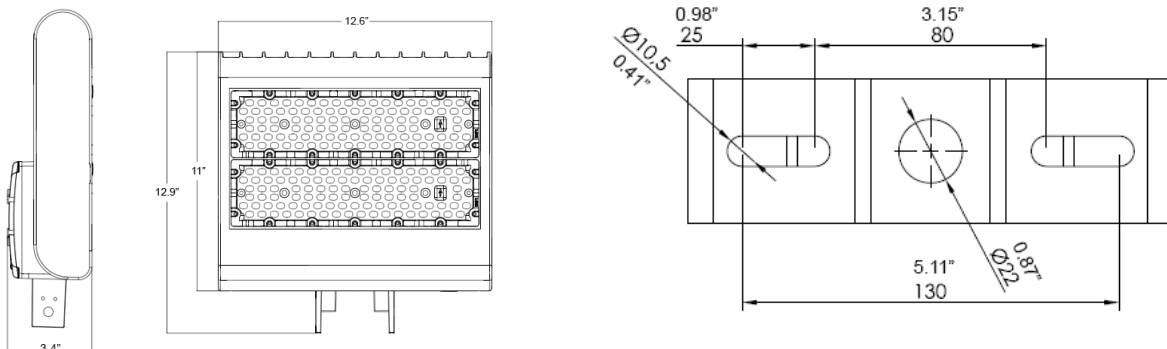
### OPTICAL SPECIFICATIONS

Lumen Output (lm) <sub>1</sub>	14279 lm	Beam Angle	NEMA Type 6x5
CCT (K) <sub>1</sub>	4000K	Projected Lifetime (L <sub>70</sub> )	>100,000 hrs
CRI (Ra) <sub>1</sub>	>70	Lumen Maintenance Factor	70%
Efficacy (lm/W) <sub>1</sub>	>146 lm/W	Chromaticity Shift	±120K

### ELECTRICAL SPECIFICATIONS

Power	100W	Current Draw at 277V <sub>AC</sub> (A) <sub>2</sub>	0.5A
Apparent Power (VA)	108VA	Current Draw at 347V <sub>AC</sub> (A) <sub>2</sub>	0.4A
System Wattage (W)	98W	Current Draw at 480V <sub>AC</sub> (A) <sub>2</sub>	0.3A
Input Voltage	277-480VAC <sub>2</sub>		
Replacement For	Up to 400W HID or HPS/MH		

### PRODUCT DIMENSIONS

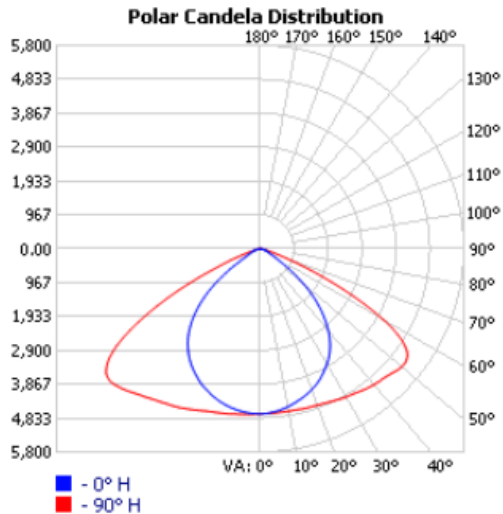


## LED & DRIVER SPECIFICATIONS

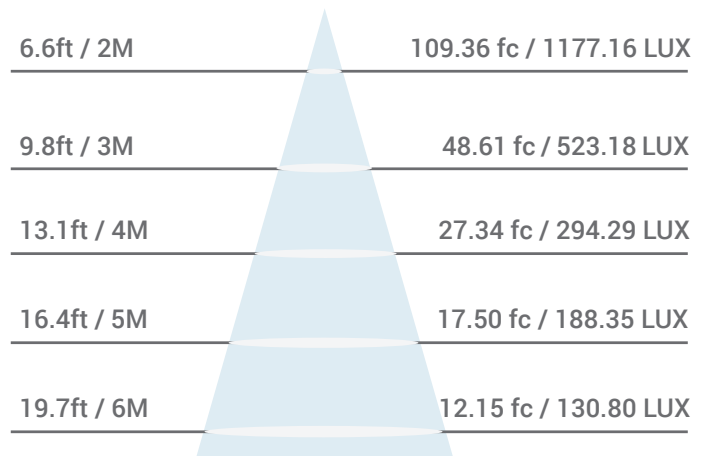
<b>LED Design Origin</b>	USA	<b>Power Factor</b>	0.9
<b>LED Brand</b>	Lumileds	<b>THD</b>	15%
<b>LED Type</b>	Luxeon 3030	<b>Inrush Current (A)</b>	Cold Start 25A at 480V
<b>Dimmable</b>	Yes (1-10V)	<b>Driver Class</b>	Class 2
<b>Output Voltage (VDC)</b>	42VDC	<b>Surge Protection</b>	4 kV

CONSTRUCTION		APPROVALS & LISTINGS																									
<b>Housing Material</b>	Powder Coated ADC12 Aluminum Alloy	<b>DLC Premium</b>	PN2W55D4																								
<b>Housing Color</b>	Black Optional Colors: Gray, Brown, White, Silver	<b>UL/ETL Listed</b>	cULus																								
<b>Lens Material</b>	Polycarbonate	<b>UL/ETL File Number</b>	E473127																								
<b>Dimensions (inch/mm)</b>	11" (L) x 12.6" (W) x 3.4" (D) (208 x 320 x 87 mm)	<b>IP Rating</b>	IP65																								
<b>Weight (kg/lbs)</b>	5.94kg / 13.1lbs	<b>EPA Rating</b>	1.16																								
<b>Installation Method</b>	Trunnion Mount (included) Slip Fitter and Mounting Arm (optional)	<table border="1"> <thead> <tr> <th colspan="3">Rated Lifetime<sup>1</sup></th> </tr> <tr> <th>Models</th> <th>Lumen Output = 90% of Initial (L<sub>90</sub>)<sup>2</sup></th> <th>Lumen Output = 70% of Initial (L<sub>70</sub>)<sup>2</sup></th> </tr> </thead> <tbody> <tr> <td>FL3-1004Tx-x-xx</td> <td>&gt;55,000 hrs</td> <td>&gt;100,000 hrs</td> </tr> <tr> <td>FL3-1504Tx-x-xx</td> <td>&gt;45,000 hrs</td> <td>&gt;100,000 hrs</td> </tr> <tr> <td>FL3-2304Tx-1-xx</td> <td>&gt;45,000 hrs</td> <td>&gt;60,000 hrs</td> </tr> <tr> <td>FL3-2304Tx-2-xx</td> <td>&gt;45,000 hrs</td> <td>&gt;100,000 hrs</td> </tr> <tr> <td>FL3-3004Tx-1-xx</td> <td>&gt;45,000 hrs</td> <td>&gt;75,000 hrs</td> </tr> <tr> <td>FL3-3004Tx-2-xx</td> <td>&gt;45,000 hrs</td> <td>&gt;100,000 hrs</td> </tr> </tbody> </table>		Rated Lifetime <sup>1</sup>			Models	Lumen Output = 90% of Initial (L <sub>90</sub> ) <sup>2</sup>	Lumen Output = 70% of Initial (L <sub>70</sub> ) <sup>2</sup>	FL3-1004Tx-x-xx	>55,000 hrs	>100,000 hrs	FL3-1504Tx-x-xx	>45,000 hrs	>100,000 hrs	FL3-2304Tx-1-xx	>45,000 hrs	>60,000 hrs	FL3-2304Tx-2-xx	>45,000 hrs	>100,000 hrs	FL3-3004Tx-1-xx	>45,000 hrs	>75,000 hrs	FL3-3004Tx-2-xx	>45,000 hrs	>100,000 hrs
Rated Lifetime <sup>1</sup>																											
Models	Lumen Output = 90% of Initial (L <sub>90</sub> ) <sup>2</sup>	Lumen Output = 70% of Initial (L <sub>70</sub> ) <sup>2</sup>																									
FL3-1004Tx-x-xx	>55,000 hrs	>100,000 hrs																									
FL3-1504Tx-x-xx	>45,000 hrs	>100,000 hrs																									
FL3-2304Tx-1-xx	>45,000 hrs	>60,000 hrs																									
FL3-2304Tx-2-xx	>45,000 hrs	>100,000 hrs																									
FL3-3004Tx-1-xx	>45,000 hrs	>75,000 hrs																									
FL3-3004Tx-2-xx	>45,000 hrs	>100,000 hrs																									
<b>Operation Range (°C/°F)</b>	-40°C to +40°C -40°F to +104°F	<p>1. Rated Lifetime projected the time needed for the fixture to drop its lumen output to 90% and 70% of its initial value, which was measured based on IESNA LM-79-80 luminaire test reports.</p> <p>2. Calculations are based on TM-21 Projection and ISTMT (In Situ) luminaire test report, estimated rated lifetime (hours) at T<sub>a</sub>=25°C (ambient temperature).</p>																									
<b>Warranty<sub>3</sub></b>	10 Years																										

### POLAR CANDELA DISTRIBUTION



### ILLUMINANCE AT A DISTANCE



### OPTIONAL ACCESSORIES

<b>FL3-MA</b>	Mounting Arm Attachment	<b>FL3-SF</b>	Slip Fitter Attachment
<b>FL3-RPA</b>	Round Pole Adapter		

1. Due to the special conditions of manufacturing, the typical data of optical specifications can only reflect statistical figures and do not necessarily correspond to the actual parameters of each single product which could differ from the typical data.  
 2. Exceeding maximum ratings for input voltage and current will cause hazardous overload and will likely destroy the LED fixture.  
 3. Refer to Warranty Terms & Conditions available at [premiseled.com/warranty](http://premiseled.com/warranty)