



Project	
Date	
Prepared by	
Model #	CS3-8644-3

CS3-SERIES COMMERCIAL STRIP

OVERVIEW

The CS3-Series LED Commercial Strip fixture is designed with a polycarbonate diffuser that provides impact resistance and even, low glare light. Combine this with powerful, high output LED chips, these fixtures meet today's stringent efficacy standards and bring your projects maximum energy savings.



PRODUCT HIGHLIGHTS

- Available in 2', 4' and 8' lengths
- 0-10V dimming
- ≥80 CRI
- Polycarbonate Diffuser
- Damp Location Rated
- 50,000 hour lifespan
- Ready for ceiling or wall mounting



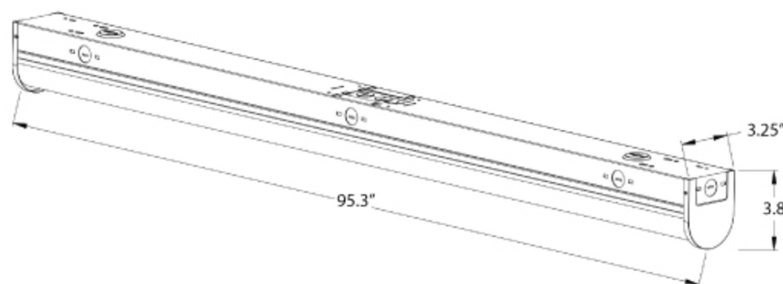
OPTICAL SPECIFICATIONS

Lumen Output (lm) ₁	8382.7 lm	Beam Angle (°) ₁	120°
CCT (K) ₁	4000K	Projected Lifetime (L ₇₀)	50,000h
CRI (Ra) ₁	82	Chromaticity Shift	±200K
Efficacy (lm/W) ₁	130.06 lm/W		

ELECTRICAL SPECIFICATIONS

Power	64W	Current Draw at 120V _{AC} (A) ₂	0.56A
Apparent Power (VA)	63.1VA	Current Draw at 208V _{AC} (A) ₂	0.33A
System Wattage (W)	64.45W	Current Draw at 240V _{AC} (A) ₂	0.28A
Input Voltage	100-347V	Current Draw at 277V _{AC} (A) ₂	0.24A
Replacement For	2 lamp 8FT T12	Current Draw at 347V _{AC} (A) ₂	0.19A

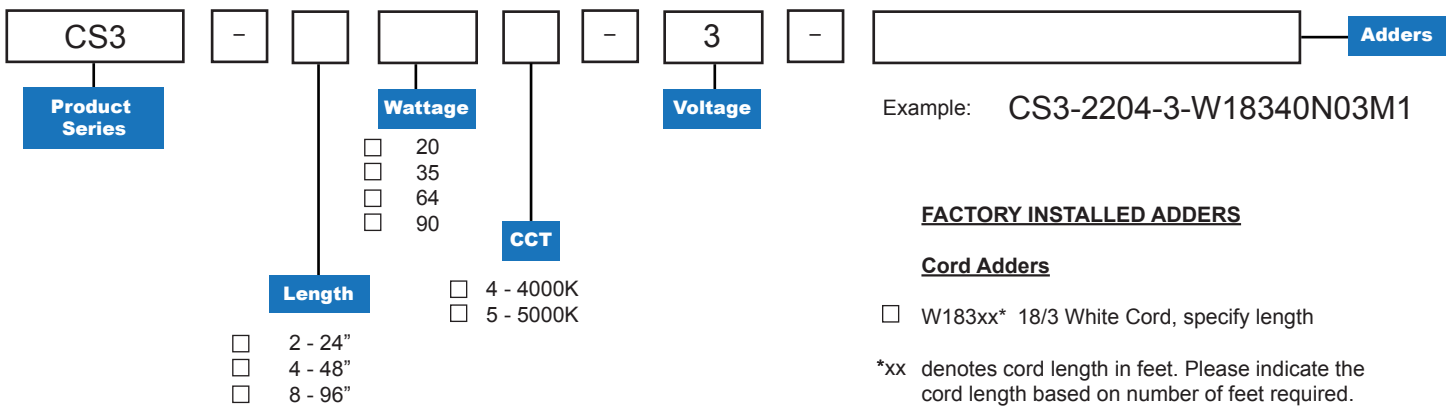
PRODUCT DIMENSIONS



CONSTRUCTION		LED AND DRIVER SPECIFICATIONS	
Housing Material	Steel	LED (Brand)	Epistar
Housing Color	White	LED Design Origin	CHINA
Lens Material	Polycarbonate (PC)	LED Type	SMD2835
Dimensions (inch/mm)	96" (L) x 3.25" (W) x 3.8" (H) 2440mm (L) x 83mm (W) x 97mm (H)	Dimmable	Yes, (0-10V)
Weight (kg/lbs)	3.5 kg/7.71 lb	Output Voltage (VDC)	30-48V
Installation Method	Wall Mount, Ceiling Mount V-Hooks Included	Power Factor	0.87
Operation Range (°F/°C)	-30°C to 50°C / -22°F to 122°F	THD	20.5%
Warranty	10 years	Surge Protection	2kV

APPROVALS AND LISTINGS		LED AND DRIVER SPECIFICATIONS	
UL/ETL	cETLus	Inrush Current (A)	30A
DLC Premium	PROSYVWD	Driver Class	CLASS 2
		Driver Brand	AGT

PRODUCT KEY



FACTORY INSTALLED ADDERS

Cord Adders

- W183xx* 18/3 White Cord, specify length

*xx denotes cord length in feet. Please indicate the cord length based on number of feet required.

Cord End Adders

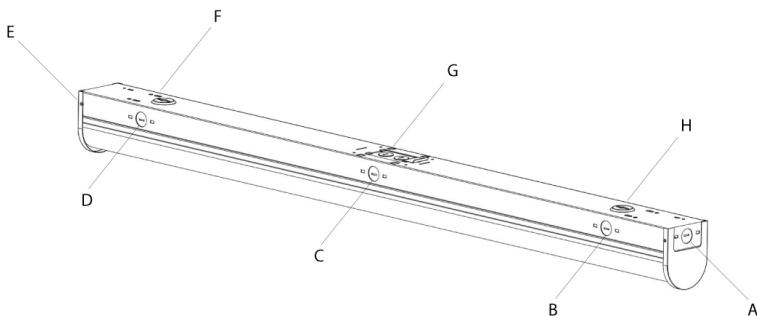
- N01 5-15P 125V 15A Straight Plug
- N02 6-15P 250V 15A Straight Plug
- N04 L5-15P 125V 15A Locking Plug
- N05 L6-15P 250V 15A Locking Plug
- N06 L7-15P 277V 15A Locking Plug
- N07 5-20P 125V 20A Straight Plug
- N08 6-20P 250V 20A Straight Plug
- N09 7-20P 277V 20A Straight Plug
- N10 L5-20P 125V 20A Locking Plug
- N11 L6-20P 250V 20A Locking Plug
- N12 L7-20P 277V 20A Locking Plug
- N13 L24-20P 347V 20A Locking Plug

Motion Sensor Adders

- M1 PIR Motion Sensor (ON/OFF)

Cord and Sensor Installation Positions

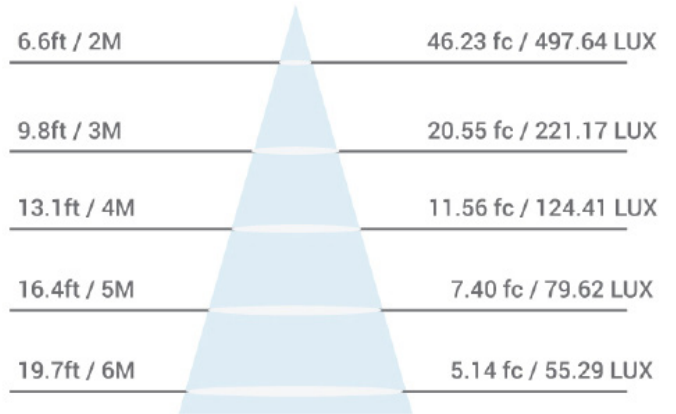
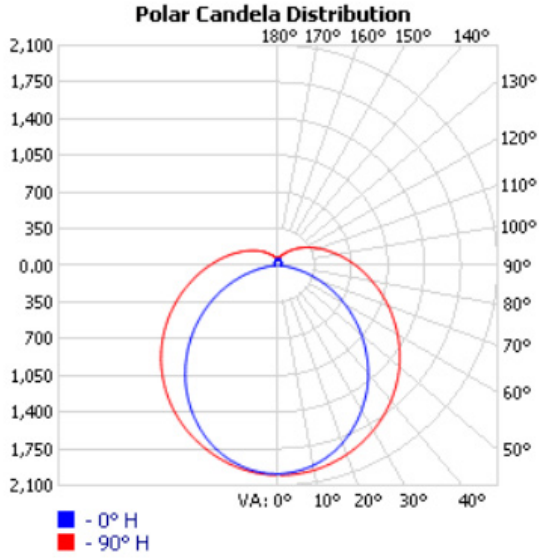
When ordering, please specify the knockout positions for cords and sensors.



1. Due to the special conditions of manufacturing, the typical data of optical specifications can only reflect statistical figures and do not necessarily correspond to the actual parameters of each single product which could differ from the typical data.
 2. Exceeding maximum ratings for input voltage and current will cause hazardous overload and will likely destroy the LED fixture.
 3. Refer to Warranty Terms & Conditions available at premiseled.com/warranty

CANDELA

ILLUMINANCE AT A DISTANCE



1. Due to the special conditions of manufacturing, the typical data of optical specifications can only reflect statistical figures and do not necessarily correspond to the actual parameters of each single product which could differ from the typical data.
 2. Exceeding maximum ratings for input voltage and current will cause hazardous overload and will likely destroy the LED fixture.
 3. Refer to Warranty Terms & Conditions available at premiseled.com/warranty