

## Ocal-Blue double-coat split couplings

Join threaded conduit where you can't use a standard coupling



TCC Split Coupling

Split couplings serve as speed unions for cost-effective joining of two separate lengths of threaded conduit. Like other Ocal fittings, they're double coated in urethane and PVC to safeguard your entire conduit system against corrosion.

### Product features

- Malleable iron construction
- Nominal .002" (2 mil) blue urethane on both interior and exterior
- Minimum .040" (40 mil) PVC bonded to exterior
- PVC coating in your choice of blue, white and gray standard colors with custom colors available on request
- Stainless steel hardware included separately




### Ocal-Blue double-coat split couplings

Cat. No.	Pipe Size (in.)	Metric Size Designator*
TCC1-__	1/2	16
TCC2-__	3/4	21
TCC3-__	1	27
TCC4-__	1 1/4	35
TCC5-__	1 1/2	41
TCC6-__	2	53

\* Metric size designator (ANSI C80.1-1994).

Cat. No.	Pipe Size (in.)	Metric Size Designator*
TCC7-__	2 1/2	63
TCC8-__	3	78
TCC9-__	3 1/2	91
TCC10-__	4	103
TCC12-__	5	129
TCC14-__	6	155

\* Metric size designator (ANSI C80.1-1994).

Cat. No.	Size	Colour
<b>TCC</b>	<b>1</b>	
_ = space for color identifier		
		G = Gray 
		W = White 
		B = Blue 
Custom colors also available.		

**Note:** The use of standard couplings is recommended whenever possible over the use of split couplings, because standard couplings provide better overall corrosion protection.

## Ocal-Blue nipples

Speed up your field installations with pre-threaded conduit nipples



### Product features

- Made from Ocal PVC-coated steel or aluminum conduit
- Blue urethane coating over threads
- Nominal .002" (2 mil) blue urethane on interior
- Minimum .040" (40 mil) PVC coating on exterior – choose blue, white, gray or custom colors
- Color-coded thread protectors for easy identification of conduit size
- Available in 11 standard lengths – close and 2" to 12" with custom lengths available on request
- Close nipples are coated only in urethane



### PVC-coated conduit nipples – steel

Pipe Size (in.) Metric Size*	Nipple Length (in.) (mm)										
	Close	2" 50.8	2½" 63.5	3" 76.2	3½" 88.9	4" 101.6	5" 127.0	6" 152.4	8" 203.2	10" 254.0	12" 304.8
½"	CLNPL1/2- 16	NPL1/2X2- 16	NPL1/2X21/2- 16	NPL1/2X3- 16	NPL1/2X31/2- 16	NPL1/2X4- 16	NPL1/2X5- 16	NPL1/2X6- 16	NPL1/2X8- 16	NPL1/2X10- 16	NPL1/2X12- 16
¾"	CLNPL3/4- 21	NPL3/4X2- 21	NPL3/4X21/2- 21	NPL3/4X3- 21	NPL3/4X31/2- 21	NPL3/4X4- 21	NPL3/4X5- 21	NPL3/4X6- 21	NPL3/4X8- 21	NPL3/4X10- 21	NPL3/4X12- 21
1"	CLNPL1- 27	NPL1X2- 27	NPL1X21/2- 27	NPL1X3- 27	NPL1X31/2- 27	NPL1X4- 27	NPL1X5- 27	NPL1X6- 27	NPL1X8- 27	NPL1X10- 27	NPL1X12- 27
1¼"	CLNPL11/4- 35	NPL11/4X2- 35	NPL11/4X21/2- 35	NPL11/4X3- 35	NPL11/4X31/2- 35	NPL11/4X4- 35	NPL11/4X5- 35	NPL11/4X6- 35	NPL11/4X8- 35	NPL11/4X10- 35	NPL11/4X12- 35
1½"	CLNPL11/2- 41	NPL11/2X2- 41	NPL11/2X21/2- 41	NPL11/2X3- 41	NPL11/2X31/2- 41	NPL11/2X4- 41	NPL11/2X5- 41	NPL11/2X6- 41	NPL11/2X8- 41	NPL11/2X10- 41	NPL11/2X12- 41
2"	CLNPL2- 53	—	NPL2X21/2- 53	NPL2X3- 53	NPL2X31/2- 53	NPL2X4- 53	NPL2X5- 53	NPL2X6- 53	NPL2X8- 53	NPL2X10- 53	NPL2X12- 53
2½"	CLNPL21/2- 63	—	—	—	NPL21/2X31/2- 63	NPL21/2X4- 63	NPL21/2X5- 63	NPL21/2X6- 63	NPL21/2X8- 63	NPL21/2X10- 63	NPL21/2X12- 63
3"	CLNPL3- 78	—	—	—	NPL3X31/2- 78	NPL3X4- 78	NPL3X5- 78	NPL3X6- 78	NPL3X8- 78	NPL3X10- 78	NPL3X12- 78
3½"	CLNPL31/2- 91	—	—	—	—	NPL31/2X4- 91	NPL31/2X5- 91	NPL31/2X6- 91	NPL31/2X8- 91	NPL31/2X10- 91	NPL31/2X12- 91
4"	CLNPL4- 103	—	—	—	—	NPL4X4- 103	NPL4X5- 103	NPL4X6- 103	NPL4X8- 103	NPL4X10- 103	NPL4X12- 103
5"	CLNPL5- 129	—	—	—	—	—	NPL5X5- 129	NPL5X6- 129	NPL5X8- 129	NPL5X10- 129	NPL5X12- 129
6"	CLNPL6- 155	—	—	—	—	—	NPL6X5- 155	NPL6X6- 155	NPL6X8- 155	NPL6X10- 155	NPL6X12- 155

\* Metric size designator (ANSI C80.1-1994).

Cat. No.      Size x Length      Material      Colour

**NPL 3/4 x 6**      — — — —

Blank = Steel    \_ = space for color identifier

SA = Aluminum      G = Gray

W = White

B = Blue

**Catalog No. Example:**

**NPL3/4X6-G** is a ¾" x 6" long steel nipple coated in gray PVC.

Custom colors also available.

## Ocal-Blue nipples (continued)



### PVC-coated conduit nipples – Aluminum



Pipe Size (in.) Metric Size*	Nipple Length (in.) (mm)											
	Close	2"	2½"	3"	3½"	4"	5"	6"	8"	10"	12"	
1/2"	CLNPL1/2SA-	NPL1/2X2SA-	NPL1/2X21/2SA-	NPL1/2X3SA-	NPL1/2X31/2SA-	NPL1/2X4SA-	NPL1/2X5SA-	NPL1/2X6SA-	NPL1/2X8SA-	NPL1/2X10SA-	NPL1/2X12SA-	
3/4"	CLNPL3/4SA-	NPL3/4X2SA-	NPL3/4X21/2SA-	NPL3/4X3SA-	NPL3/4X31/2SA-	NPL3/4X4SA-	NPL3/4X5SA-	NPL3/4X6SA-	NPL3/4X8SA-	NPL3/4X10SA-	NPL3/4X12SA-	
1"	CLNPL1SA-	NPL1X2SA-	NPL1X21/2SA-	NPL1X3SA-	NPL1X31/2SA-	NPL1X4SA-	NPL1X5SA-	NPL1X6SA-	NPL1X8SA-	NPL1X10SA-	NPL1X12SA-	
1¼"	CLNPL11/4SA-	NPL11/4X2SA-	NPL11/4X21/2SA-	NPL11/4X3SA-	NPL11/4X31/2SA-	NPL11/4X4SA-	NPL11/4X5SA-	NPL11/4X6SA-	NPL11/4X8SA-	NPL11/4X10SA-	NPL11/4X12SA-	
1½"	CLNPL11/2SA-	NPL11/2X2SA-	NPL11/2X21/2SA-	NPL11/2X3SA-	NPL11/2X31/2SA-	NPL11/2X4SA-	NPL11/2X5SA-	NPL11/2X6SA-	NPL11/2X8SA-	NPL11/2X10SA-	NPL11/2X12SA-	
2"	CLNPL2SA-	—	NPL2X21/2SA-	NPL2X3SA-	NPL2X31/2SA-	NPL2X4SA-	NPL2X5SA-	NPL2X6SA-	NPL2X8SA-	NPL2X10SA-	NPL2X12SA-	
2½"	CLNPL21/2SA-	—	—	—	NPL21/2X31/2SA-	NPL21/2X4SA-	NPL21/2X5SA-	NPL21/2X6SA-	NPL21/2X8SA-	NPL21/2X10SA-	NPL21/2X12SA-	
3"	CLNPL3SA-	—	—	—	NPL3X31/2SA-	NPL3X4SA-	NPL3X5SA-	NPL3X6SA-	NPL3X8SA-	NPL3X10SA-	NPL3X12SA-	
3½"	CLNPL31/2SA-	—	—	—	—	NPL31/2X4SA-	NPL31/2X5SA-	NPL31/2X6SA-	NPL31/2X8SA-	NPL31/2X10SA-	NPL31/2X12SA-	
4"	CLNPL4SA-	—	—	—	—	NPL4X4SA-	NPL4X5SA-	NPL4X6SA-	NPL4X8SA-	NPL4X10SA-	NPL4X12SA-	
5"	CLNPL5SA-	—	—	—	—	—	NPL5X5SA-	NPL5X6SA-	NPL5X8SA-	NPL5X10SA-	NPL5X12SA-	
6"	CLNPL6SA-	—	—	—	—	—	—	NPL6X5SA-	NPL6X6SA-	NPL6X8SA-	NPL6X10SA-	NPL6X12SA-

\* Metric size designator (ANSI C80.1-1994).

Cat. No.	Size x Length	Material	Colour
<b>NPL</b>	<b>3/4 x 6</b>	<b>—</b>	<b>—</b>
Blank = Steel    _ = space for color identifier			
SA = Aluminum		G = Gray	
		W = White	
		B = Blue	
<b>Catalog No. Example:</b>			
NPL3/4X6-G is a 3/4" x 6" long steel nipple coated in gray PVC.			
Custom colors also available.			

## Ocal-Blue standard-radius elbows

Factory bent to save wasted time and materials.



### Product features




- Fabricated from Ocal PVC-coated conduit
- Standard radii in 30°, 45°, 60° and 90° available for immediate shipment
- Color-coded thread protectors for easy identification of conduit size

### Ocal-Blue standard-radius elbows

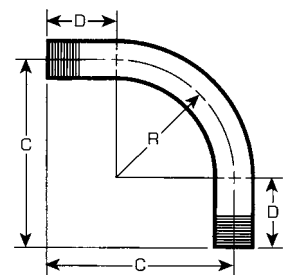


Cat. No.	Pipe Size		Radius "R"		Offset "C"		Straight End "D"		Unbent Length		Weight Steel only		
	Steel	Aluminium	(in.)	(mm)	(in.)	(mm)	(in.)	(mm)	(in.)	(mm)	(lbs)	(kg)	
ELL1/2-_-	ELL1/2-_-SA-	1/2	16	4.00	101.60	6.00	152.40	2.00	50.80	10.28	261.19	0.67	16.95
ELL3/4-_-	ELL3/4-_-SA-	3/4	21	4.50	114.30	6.50	165.10	2.00	50.80	11.07	281.14	0.95	24.07
ELL1-_-	ELL1-_-SA-	1	27	5.75	146.05	8.00	203.20	2.25	57.15	13.53	343.71	1.77	44.97
ELL11/4-_-	ELL11/4-_-SA-	1 1/4	35	7.25	184.15	9.50	241.30	2.25	57.15	15.89	403.56	2.55	64.80
ELL11/2-_-	ELL11/2-_-SA-	1 1/2	41	8.25	209.55	11.00	279.40	2.75	69.85	18.46	468.86	3.98	101.13
ELL2-_-	ELL2-_-SA-	2	53	9.50	241.30	13.00	330.20	3.50	88.90	21.92	556.83	6.33	160.86
ELL21/2-_-	ELL21/2-_-SA-	2 1/2	63	10.50	266.70	14.00	355.60	3.50	88.90	23.49	596.73	9.65	245.09
ELL3-_-	ELL3-_-SA-	3	78	13.00	330.20	16.50	419.10	3.50	88.90	27.42	696.48	15.42	391.77
ELL31/2-_-	ELL31/2-_-SA-	3 1/2	91	15.00	381.00	20.75	527.05	5.75	146.05	35.06	890.57	23.30	591.84
ELL4-_-	ELL4-_-SA-	4	103	16.00	406.40	21.75	552.45	5.75	146.05	36.63	930.47	29.68	753.80
ELL5-_-	ELL5-_-SA-	5	129	24.00	609.60	31.00	787.40	7.00	177.80	51.70	1313.16	60.82	1544.89
ELL6-_-	ELL6-_-SA-	6	155	30.00	762.00	39.00	990.60	9.00	228.60	65.12	1654.15	85.69	2176.51

\* Metric size designator (ANSI C80.1-1994).

Cat. No.	Pipe Size	Angle	Material	Colour
<b>ELL</b>	<b>3/4-</b>	<b>-</b>	<b>-</b>	<b>-</b>
		<b>30 = 30°</b>	<b>Blank = Steel</b>	
		<b>45 = 45°</b>	<b>SA = Aluminum</b>	<b>G = Gray</b> 
		<b>60 = 60°</b>		<b>W = White</b> 
		<b>Blank = 90°</b>		<b>B = Blue</b> 
<b>Catalog No. Example:</b>				
ELL3/4X6-G is a 3/4" trade size 90° aluminum elbow coated in white PVC.				

Custom colors also available.



## Ocal-Blue large-radius elbows

Choose the size and angle to meet your exact requirements



### Product features




- Fabricated from Ocal PVC-coated conduit
- Large radius in 90° available for immediate shipment
- Special radii and angles not listed available upon request
- Color-coded thread protectors for easy identification of conduit size

Ocal-Blue large-radius elbows

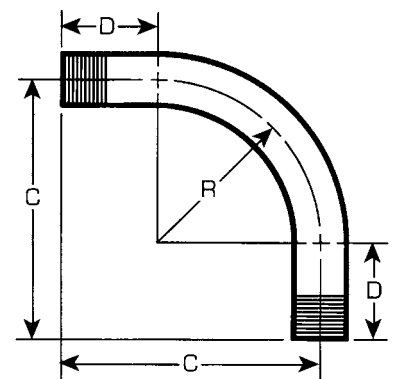


Cat. No.	Pipe Size (in.)	Metric Size Designator*	Radius "R"		Offset "C"		Straight End "D"		Unbent Length		
			(in.)	(mm)	(ft/in.)	(mm)	(in.)	(mm)	(ft/in.)	(mm)	
LRELL_X12-_-	LRELL_X12-_-SA-_-	1-2 <sup>1</sup> / <sub>2</sub>	27-63	12.00	304.80	1' 9"	533.40	9.00	228.60	3' 0"	914.40
LRELL_X15-_-	LRELL_X15-_-SA-_-	1-3	27-78	15.00	381.00	2' 0"	609.60	9.00	228.60	3' 6"	1,066.80
LRELL_X18-_-	LRELL_X18-_-SA-_-	1-4	27-103	18.00	457.20	2' 4"	711.20	10.00	254.00	4' 0"	1,219.20
LRELL_X24-_-	LRELL_X24-_-SA-_-	1-4	27-103	24.00	609.60	2' 11"	889.00	11.00	279.40	4' 11"	1,498.60
LRELL_X30-_-	LRELL_X30-_-SA-_-	1-5	27-129	30.00	762.00	3' 5"	1,041.40	11.00	279.40	5' 9"	1,752.60
LRELL_X36-_-	LRELL_X36-_-SA-_-	1-6	27-155	36.00	914.40	3' 11"	1,193.80	11.00	279.40	6' 6"	1,981.20
LRELL_X42-_-	LRELL_X42-_-SA-_-	1-6	27-155	42.00	1,066.80	4' 6"	1,371.60	12.00	304.80	7' 6"	2,286.00
LRELL_X48-_-	LRELL_X48-_-SA-_-	1-6	27-155	48.00	1,219.20	5' 0"	1,524.00	12.00	304.80	8' 6"	2,590.80
LRELL_X60-_-	LRELL_X60-_-SA-_-	2 <sup>1</sup> / <sub>2</sub> -6	63-155	60.00	1,524.00	6' 0"	1,828.80	12.00	304.80	9' 10"	2,997.20

\* Metric size designator (ANSI C80.1-1994).

Cat. No.	Pipe Size	Radius	Angle	Material	Colour
<b>LRELL</b> <b>X</b> <b>12-</b> <b>-</b> <b>-</b>					
1 = 1		30 = 30°		Blank = Steel	
2 = 2		45 = 45°		SA = Aluminum	G = Gray 
		60 = 60°			W = White 
		Blank = 90°			B = Blue 

Catalog No. Example:  
**LRELL3X18-45-G** is a 3" trade size steel elbow with radius of 18" and an angle of 45°, coated in gray PVC.  
 Custom colors also available.



## Ocal PVC-coated beam clamps and U-bolts

PVC coating evenly molded around saddle prevents exposure of metal – an Ocal exclusive



Parallel (PAR)



Edge (EC)

### Product features

- Beam clamps support and attach conduit runs to structural beams
- Molded right-angle beam clamps and U-bolts provide extra protection
- Encapsulated, hex-shaped nuts fit standard wrenches
- Stainless steel hardware included
- Parallel (PAR) and edge (EC) clamps feature nominal .015" (15 mil) PVC coating for corrosion protection
- Right-Angle clamps (RA) and U-Bolts (UB) feature nominal .040" (40 mil) PVC coating for corrosion protection

### PVC-coated beam clamps

Cat. No.	Parallel	Edge	Pipe Size (in.)	Metric Size Designator*
RA1/2-__	PAR1/2-__	EC1/2-__	1/2	16
RA3/4-__	PAR3/4-__	EC3/4-__	3/4	21
RA1-__	PAR1-__	EC1-__	1	27
RA1-1/4-__	PAR1-1/4-__	EC1-1/4-__	1 1/4	35
RA1-1/2-__	PAR1-1/2-__	EC1-1/2-__	1 1/2	41
RA2-__	PAR2-__	EC2-__	2	53
RA2-1/2-__	PAR2-1/2-__	—	2 1/2	63
RA3-__	PAR3-__	—	3	78
RA3-1/2-__	PAR3-1/2-__	—	3 1/2	91
RA4-__	PAR4-__	—	4	103

Metric size designator (ANSI C80.1-1994).

### PVC-coated U-bolts

Cat. No.	Pipe Size (in.)	Metric Size Designator*	"A" Dimension	
			(in.)	(mm)
UB1/2-__	1/2	16	1.38	34.93
UB3/4-__	3/4	21	1.56	39.69
UB1-__	1	27	1.84	46.83
UB1-1/4-__	1 1/4	35	2.19	55.56
UB1-1/2-__	1 1/2	41	2.50	63.50
UB2-__	2	53	2.97	75.41
UB2-1/2-__	2 1/2	63	3.47	88.11
UB3-__	3	78	4.09	103.98
UB3-1/2-__	3 1/2	91	4.59	116.68
UB4-__	4	103	5.09	129.38
UB5-__	5	129	6.63	168.28
UB6-__	6	155	8.00	203.20

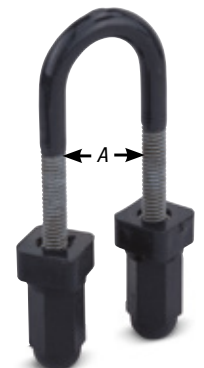
Metric size designator (ANSI C80.1-1994).

Cat. No.	Colour
<b>RA1-</b>	__
__ = space for color identifier	
G = Gray	
W = White	
B = Blue	
Custom colors also available.	



Right Angle (RA)

Cat. No.	Size	Colour
<b>UB</b>	<b>1-</b>	__
__ = space for color identifier		
G = Gray		
W = White		
B = Blue		
Custom colors also available.		



U-Bolt (UB)

## Pipe Straps

Support conduit on walls and structures



Fig. 1



Fig. 2



Fig. 3

One-hole PV coated pipe ptrap



Fig. 5

Two-hole PVC-coated pipe strap



Fig. 4

### Product features

- Available in malleable iron/stamped steel with nominal .015" (15 mil) PVC coating in your choice of blue, white or gray or in 303 stainless steel
- Choose one- or two-hole versions
- Sized to allow for the extra thickness of the PVC coating

### PVC-coated pipe straps

Cat. No.	Pipe Size (in.)	Figure
<b>One-Hole malleable iron</b>		
1277CR*	1/2	1
1278CR*	3/4	1
1HS1C-G**	1	2
1HMS1-1/4-G**	1 1/4	3
1280CR*	1 1/2	1
1HMS2- _	2	4
1HMS2-1/2- _	2 1/2	4
1HMS3- _	3	4
1HMS4- _	4	4
<b>Two holes malleable iron</b>		
2HMS2- _	2	5
2HMS2-1/2- _	2 1/2	5
2HMS3- _	3	5
2HMS4- _	4	5

\* CSA certified

\*\* UL non applicable

Cat. No.	Colour
----------	--------

\_ = space for color identifier

G = Gray 

W = White 

B = Blue 

Custom colors also available.

## Ocal PVC-coated clamp-back spacers

Use as spacers with one-hole pipe straps



### Product features

- Provides space for air flow between conduit and mounting surface
- Nominal .015" (15 mil) PVC coating for corrosion protection

### Ocal PVC-coated clamp-back spacers

Cat. No.	Pipe Size (in.)	Metric Size Designator*
CB1/2- <u>  </u>	1/2	16
CB3/4- <u>  </u>	3/4	21
CB1- <u>  </u>	1	27
CB1-1/4- <u>  </u>	1 1/4	35
CB1-1/2- <u>  </u>	1 1/2	41
CB2- <u>  </u>	2	53
CB2-1/2- <u>  </u>	2 1/2	63
CB3- <u>  </u>	3	78
CB3-1/2- <u>  </u>	3 1/2	91
CB4- <u>  </u>	4	103

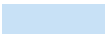
Cat. No.	Colour
----------	--------

### CB1-

   = space for color identifier

G = Gray 

W = White 

B = Blue 

Custom colors also available.