



The Keene LED LWL Wall light is an economical solution for general purpose wall mount lighting, made available in an attractive compact form. The stylish, impact resistant polycarbonate design is ideal for over doors, entry ways and other general purpose all mount applications.

Project: _____
 Location: _____
 Cat.No: _____
 Type: _____
 Notes: _____

Ordering Guide

Example: LWL-WW-G2-PCB-1-BZ

Luminaire	Color Temperature	Generation	Options	Voltage	Finish
LWL	WW	G2	PCB	1	BZ
LWL LWL Wall Light	WW 3000K 80CRI	G2 Generation 2	PCB Photocell Button Type (integrated)	1 120V	BZ Bronze

Product Specifications

General Description

LWL Wall light combines economy with efficiency and is provided with LED technology that offers significant savings over traditional incandescent wall luminaires. This compact luminaire easily mounts over a standard 4" j-box and features a built-in button photo cell for automatic dusk to dawn lighting needs. Ideal for replacing the classic glass jar lights typically used over doors and by entry ways, LED Wall Light can also be used as ambient marker lights and throughout corridors for added security and illumination.

Housing

Impact-resistant polycarbonate housing and lens.

Electrical

120V driver (efficiency >90% standard) provided with 120V button photocell. RoHS compliant.

Optical System

Frosted lens for an inviting and even light distribution. Mid-power LED, 3000K +/-250K. Typical CRI 80

Mounting

Wall mount lens in downward facing position only. Standard luminaire provided with galvanized mounting plate. Can be mounted over a 4" j-box or smaller.

Listings

UL listed to the UL 1598 standard, suitable for Wet Locations. Suitable for use in ambients from -40° to 40°C (-22° to 104°F).

Finish

Standard finish color is textured bronze (BZ).

Limited Warranty

LED Wall Light luminaires feature a 5 year limited warranty.



LWL Wall light

LED Wattage and Lumen Values

Ordering Codes	Total LEDs	System Current (mA)	Color Temp.(K)	Average System Wattage ¹	Lumen Output ^{1,2}	BUG Rating	Efficacy (LPW)
LWL-WW-G2-PCB-1-BZ	16	300	3000	12	1104	B1-U3-G1	90

1. Wattage and lumen output may vary by due to LED manufacturer forward volt specification and ambient temperature.

Wattage shown is average for 120V input. Measured wattage may vary due to variation in input voltage..

2. Lumen values based on photometric tests performed in compliance with IESNA LM-79.

NOTE: Contact outdoorlighting.applications@philips.com for details or additional information.

Predicted Lumen Depreciation Data

Predicted performance derived from LED manufacturer's data and engineering design estimates, based on IESNA LM-80 methodology. Actual experience may vary due to field application conditions. L70 is the predicted time when LED performance depreciates to 70% of initial lumen output. Calculated per IESNA TM21-11. Published L70 hours limited to 6 times actual LED test hours.

Ambient Temperature °C	LED Current	Calculated L70 hrs ^{1,2}	L70 Per TM-21 ^{2,3}	Lumen Maintenance % @ 48,000hrs ¹
25°C	~75mA	> 182,000 hours	> 48,000 hours	82%

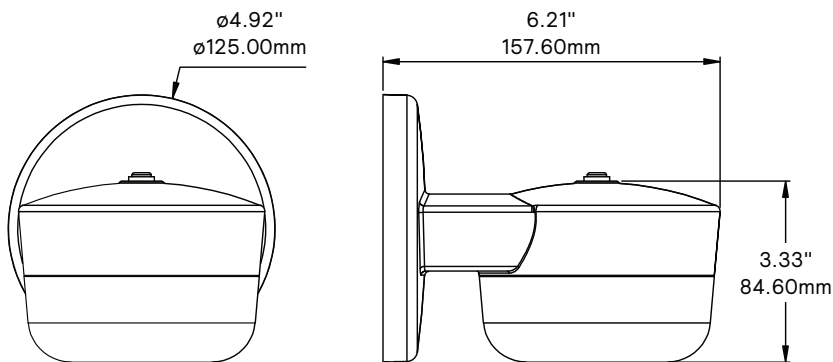
1. Predicted performance derived from LED manufacturer's data and engineering design estimates, based on IESNA LM-80 methodology.

Actual experience may vary due to field application conditions.

2. L70 is the predicted time when LED performance depreciates to 70% of initial lumen output.

3. Calculated per IESNA TM 21-11. Published L70 hours limited to 6 times actual LED test hours

Dimensions



Approximate Luminaire Weight: 1.00 Lbs (0.45 Kg)



© 2019 Signify Holding. All rights reserved. The information provided herein is subject to change, without notice. Signify does not give any representation or warranty as to the accuracy or completeness of the information included herein and shall not be liable for any action in reliance thereon. The information presented in this document is not intended as any commercial offer and does not form part of any quotation or contract, unless otherwise agreed by Signify. All trademarks are owned by Signify Holding or their respective owners.

Signify North America Corporation
200 Franklin Square Drive,
Somerset, NJ 08873
Telephone 855-486-2216

Signify Canada Ltd.
281 Hillmount Road,
Markham, ON, Canada L6C 2S3
Telephone 800-668-9008

www.keene-lighting.com