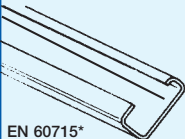
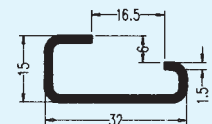
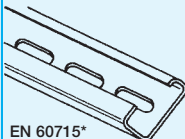
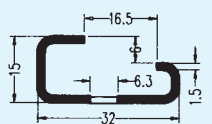
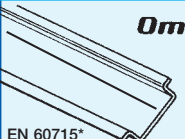
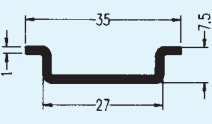

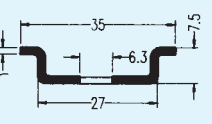
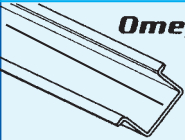
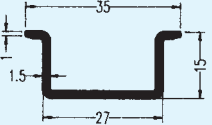

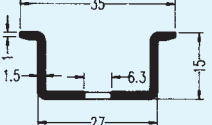
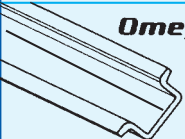
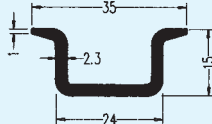
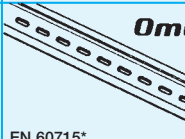
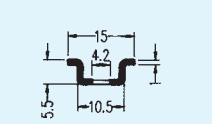


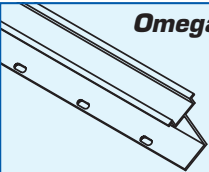
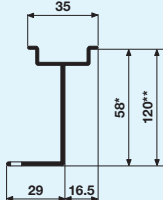
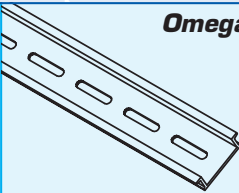
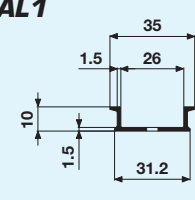
DIN RAILS

RoHS compliant

Treated with galvanic zinc plating and passivation (gal Zn 8c according to Din 50960)
 Minimum thickness 6 microns
 Standard length: 2 meters (6'6¾")

The most comprehensive range of *Din metal mounting rails*

 EN 60715*	G1  16.5 15 32 1.5	 EN 60715*	G1F  16.5 15 32 1.5 6.3
 EN 60715*	Omega 3  35 7.5 27	 EN 60715*	Omega 3F 3FD  35 7.5 27 6.3
 EN 60715*	Omega 3A  35 1.5 15 27	 EN 60715*	Omega 3AF 3AFD  35 1.5 6.3 15 27
 EN 60715*	Omega 3B  35 2.3 24	 EN 60715*	Omega 2F  15 4.2 10.5 5.5
Omega 75 EN 60715*	75 mm x 25 mm	CENTER LINE The unperforated mounting rails (G1/OMEGA 3/OMEGA 3A/ OMEGA 3B) have a center line in order to expedite the drilling of the mounting holes.	

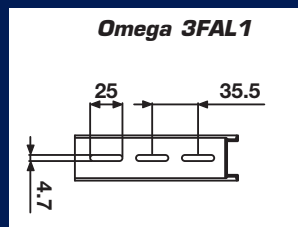
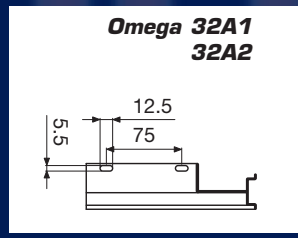
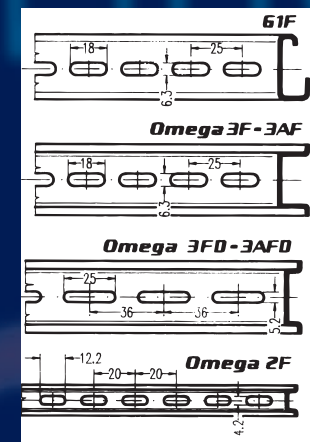
 Omega 32A1* 32A2* 345A2**	 35 58 120** 29 16.5	 Omega 3FAL1	 35 1.5 26 10 1.5 31.2
---	--	---	--

Catalog Number	Lengths per Pack	Catalog Number	Lengths per Pack
G1	12	ALUMINUM	
G1F	12	OMEGA 32A1	6*
G1F1	24	OMEGA 32A2	6
OMEGA 2F	20	OMEGA 3FAL1	40*
OMEGA 2F1	40*	OMEGA 345A2	2
OMEGA 3	20	GROMMET	
OMEGA 3F	20	IG-11	10
OMEGA 3F1	40*	COPPER	
OMEGA 3FD	20	OMEGA 3ACU	1
OMEGA 3A	10	STAINLESS STEEL	
OMEGA 3AF	10	OMEGA 3SS	4
OMEGA 3AF1	20*	OMEGA 3SS1	8*
OMEGA 3AFD	10		
OMEGA 3B	10		
OMEGA 3B1	10*		
OMEGA 75	2		

*One meter long



Bottom mtg. holes



DINCLIC

MOUNTING CLIPS

Material

Zinc plated steel



With its help, one can snap onto all the mounting rails (except OMEGA 2F) those small switching devices which are not made for mounting on DIN rails.

Catalog Number	Pieces per Pack
DINCLIC DM4	40
DINCLIC FM4	40
DINCLIC FM5	40
DINCLIC FM8	20

Dinclic DM4 For mounting on rail G1, G1F
 Dinclic FM4 - FM5 For mounting on OMEGA 3 - OMEGA 3A - OMEGA 3F
 OMEGA 3AF - OMEGA 3B - OMEGA 3FD

Screw size
 FM4 and DM4 - 4 mm
 FM5 - 5 mm (US 10-32 can be used)



DINCLIC FM8

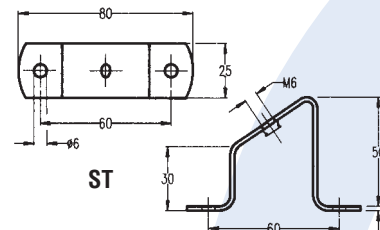
IN ACETAL HOMOPOLYMER PLASTIC
 (USE #8 SELF-TAPPING SCREW)
 OTHER SCREW SIZES
 AVAILABLE CONTACT IBOCO)

ST-ST5

DIN RAIL SUPPORT BRACKETS

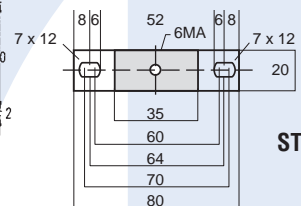
Cold-rolled steel treated with galvanic zinc plating and passivation

Catalog Number	Pieces per Pack
ST	10
STS 25	10
STS 50	10
STS 70	10
STS 90	10



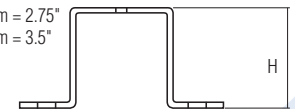
ST
 6 mm screws included

ST and STS screw size 6 mm
 All dimensions shown are in mm



STS

H 25 mm = 1"
 50 mm = 2"
 70 mm = 2.75"
 90 mm = 3.5"



DINFIX

MOUNTING CLIPS

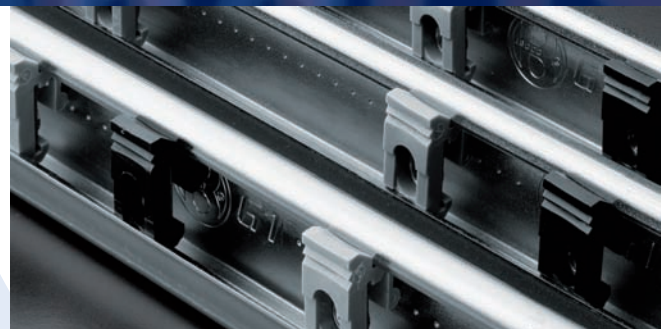
Material

Acetal resin (delrin) and galvanized steel

Catalog Number	Pieces per Pack
DINFIX 64	50
DINFIX 53	50

Dinfix permits the smooth mounting of metal rails on the mounting rail G1, thus allowing the construction of supporting frames for switchgear and wiring duct. DINFIX furthermore offers the possibility of installing onto the parallel rail G1, switchgear of a certain size and weight (e.g. transformers or contactors) that are not predisposed for snap-on assembly on Omega 3/3A/3B.

Service Temperature Limit (4°F to 212°F)



Dinfix 53 (BLACK)
 Ø M5

Dinfix 64 (WHITE)
 Ø M3 Ø M6 Ø M4

Once they are mounted, the Dinfix form a strong mounting plane at the level of the upper flange of the rail G1.

