

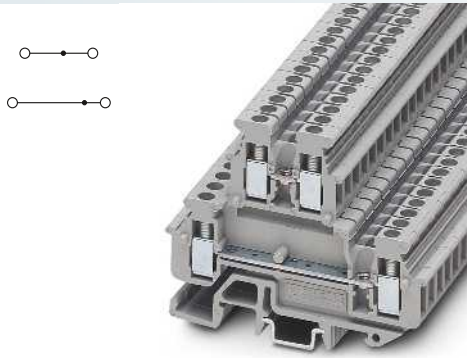
# Terminal blocks

## MT and MBK miniature screw terminal blocks

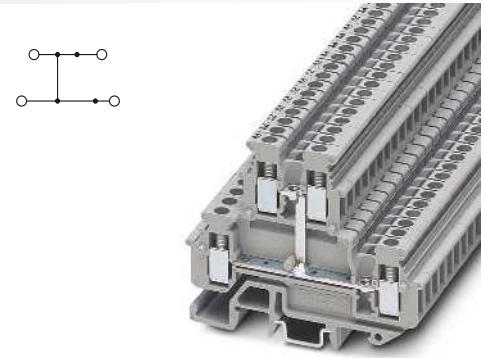
### Mini double-level terminal blocks MBKKB 2,5...

- The miniature double-level terminal block is characterized by its space-saving, low height, and offset levels
- Fixed bridges and test sockets can be inserted on both levels

**Notes:**  
1) For information on installation and using accessories for Ex applications, see page 602.



2.5 (4) mm<sup>2</sup>, 24 A, double-level terminal block



2.5 (4) mm<sup>2</sup>, 24 A, double-level terminal block, internally connected levels



Ex: KEMA 03ATEX2082 U / IECEx KEM 07.0018U



Dimensions		[mm]
Dimensions		[mm]
Max. electrical data		
Rated data		
Rated voltage	[V]	500
Nominal current / cross section	[A] / [mm <sup>2</sup> ]	24 / 2.5
Rated cross section	[mm <sup>2</sup> ]	2.5
Cross section range	AWG	24 - 12
Connection capacity		
1 conductor	[mm <sup>2</sup> ]	0.2 - 4
2 conductors (of the same type)	[mm <sup>2</sup> ]	0.2 - 1.5
2 stranded conductors with a TWIN ferrule	[mm <sup>2</sup> ]	-
Max. cross section with insertion bridge	[mm <sup>2</sup> ]	2.5
General data		
Stripping length	[mm]	7
Screw thread		M3
Tightening torque	[Nm]	0.5 - 0.6
Insulating material		PA
Inflammability class according to UL 94		V2

Technical data			
Width	Length	Height NS 35/7,5	
5.2	62	48	
Width	Length	Height NS 15	
5.2	62	47.5	
I <sub>max</sub> [A]	U <sub>max</sub> [V]	Max. Ø [mm <sup>2</sup> ]	AWG (UL)
24	500	0.2 - 4	30-12
IEC 60947-7-1			
IEC	UL	CSA	IEC/EN 60079-7
500	300	300	275
24 / 2.5	20 / -	20 / -	21 / 2.5
2.5	-	-	0.2-2.5
24 - 12	30-12	28-12	24 - 12
Connection capacity		Ferrule	
		without/with plastic sleeve	
0.2 - 4	0.2 - 2.5	0.25 - 2.5	0.25 - 1.5
0.2 - 1.5	0.2 - 1.5	0.25 - 1.5	-
-	-	-	0.5 - 1
2.5	2.5	-	-
7	M3	0.5 - 0.6	PA
V2			

Technical data			
Width	Length	Height NS 35/7,5	
5.2	62	48	
Width	Length	Height NS 15	
5.2	62	47.5	
I <sub>max</sub> [A]	U <sub>max</sub> [V]	Max. Ø [mm <sup>2</sup> ]	AWG (UL)
24	500	0.2 - 4	30-12
IEC 60947-7-1			
IEC	UL	CSA	IEC/EN 60079-7
500	300	-	-
24 / 2.5	20 / -	-	-
2.5	-	-	-
24 - 12	30-12	-	-
Connection capacity		Ferrule	
		without/with plastic sleeve	
0.2 - 4	0.2 - 2.5	0.25 - 2.5	0.25 - 1.5
0.2 - 1.5	0.2 - 1.5	0.25 - 1.5	-
-	-	-	0.5 - 1
2.5	2.5	-	-
7	M3	0.5 - 0.6	PA
V2			

Description	No. of pos.	Color
Double-level terminal block, with universal foot, for mounting on NS 15 or NS 35... according to EN 60715		gray
		blue
		gray
Double-level terminal block, with universal foot, for mounting on NS 15 or NS 35... according to EN 60715, with equipotential bonding between the levels		blue

Ordering data			
Type	I <sub>max</sub>	Order No.	Pcs. / Pkt.
MBKKB 2,5		1414064	50
MBKKB 2,5 BU		1414077	50

Ordering data			
Type	I <sub>max</sub>	Order No.	Pcs. / Pkt.
MBKKB 2,5-PV		2800583	50
MBKKB 2,5-PV BU		1414132	50

Accessories <sup>1)</sup>		
Cover, width 2.5 mm	gray	
	blue	
Spacer plate, compensates for level offsets, width 2.5 mm	gray	
Fixed bridge, insulated		
	2	silver
	3	silver
	4	silver
	10	silver
Insertion bridge, for 5.2 mm pitch, fully insulated		
	2	gray
	3	gray
	10	gray
Separating disk, for separation of neighboring bridges, can be fitted later, no loss of pitch	gray	
Test socket	silver	
Screwdriver		
Lateral groove marking		

Accessories <sup>1)</sup>			
D-MBKKB 2,5		1413052	50
D-MBKKB 2,5 BU		1413081	50
DP-MBKKB 2,5		1413065	50
FBRNI 2-5 N	22 A	3000175	10
FBRNI 3-5 N	22 A	3000162	10
FBRNI 4-5 N	22 A	3000159	10
FBRNI 10-5 N	22 A	2770639	10
EB 2- 5	20 A	1401158	100
EB 3- 5	20 A	1401145	100
EB 10- 5	20 A	1401132	10
TS-KK 3 SO		2778534	50
PSB 3/10/4		0601292	10
SF-SL 0,6X3,5-100 S-VDE		1212587	10
ZB 5 (see Catalog 5)			

Accessories <sup>1)</sup>			
D-MBKKB 2,5		1413052	50
D-MBKKB 2,5 BU		1413081	50
DP-MBKKB 2,5		1413065	50
FBRNI 2-5 N	22 A	3000175	10
FBRNI 3-5 N	22 A	3000162	10
FBRNI 4-5 N	22 A	3000159	10
FBRNI 10-5 N	22 A	2770639	10
EB 2- 5	20 A	1401158	100
EB 3- 5	20 A	1401145	100
EB 10- 5	20 A	1401132	10
TS-KK 3 SO		2778534	50
PSB 3/10/4		0601292	10
SF-SL 0,6X3,5-100 S-VDE		1212587	10
ZB 5 (see Catalog 5)			