

Type IC & Airtight



Project: _____

Location: _____

Trim Finish: _____ Qty: _____

Notes: _____

DESCRIPTION

Recessed 4" Round LED With Integral Driver In Connection Box.
Fits Where No Other Recessed Fixture Can.

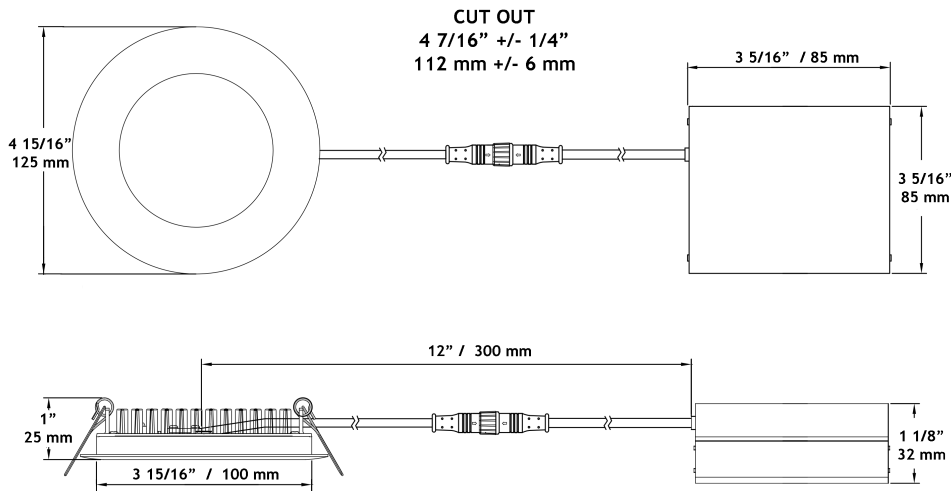
FEATURES & BENEFITS

- 1" Thin - High Performance 30% Brighter Than The 1/2" Model
- Type IC Rated - No Housing Required
- Fast & Easy To Install - Save On Labour
- Driver Inside Connecton Box - No Junction Box Needed

MOUNTING

Cut Hole In Ceiling And Snap Fixture In Opening With Attached Spring Clips.
2" Above Ceiling Clearance Required For Driver.

SPECIFICATION	
Applications	Recessed Ceiling Mount
Energy Used	12 W
Colour Temperature	4100° K
Light Output	820 lm
Halogen Equivalent	65 W
Beam Angle	105°
CRI	82
Driver Input	120V AC or 277V-347V AC 50/60 Hz
Power Factor	0.98
Dimming	TRIAC Dimmers 10% - 100% (120V only)
Approved Location	Insulated Ceiling & Damp Locations
Air Tight	Yes
Ambient Temperature	-40° F (-40° C) to +104° F (+40° C)
Projected Life	70% Light Output at 50,000 Hours
Certification	cULus, cETLus, Energy Star
Warranty	5 Year on Fixture & Driver



277V - 347V Driver Option Available
Not Dimmable

COMPLIANCE



CHARACTERISTICS

Body: Durable, Die Cast Aluminum Alloy for Optimal Heat Dissipation.

Paint: Oil Based Spray Painted - Scratch Resistant And Smooth Finish.

LEDs: 110 Pieces Of Custom Packaged LM80 Epistar 3014. Guaranteed 98% Lumen Maintenance After 6,000 Hours.

Strict Binning To Ensure Consistent Light Colour.

Driver: 4th Generation Lotus Designed. Field Proven Since 2011.

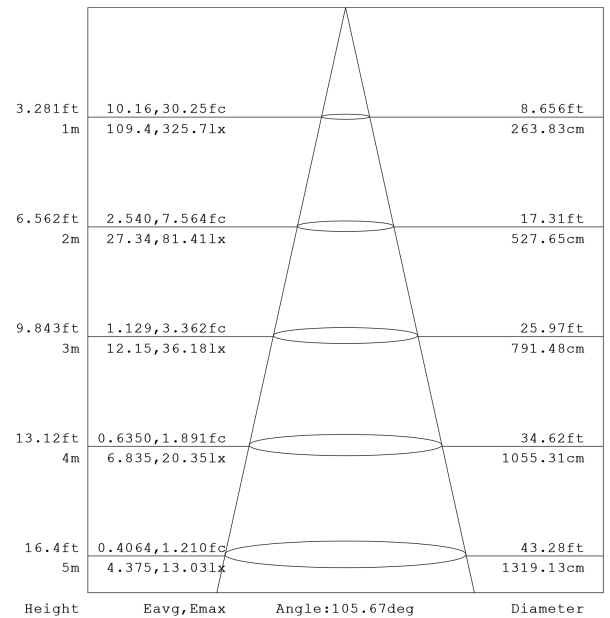
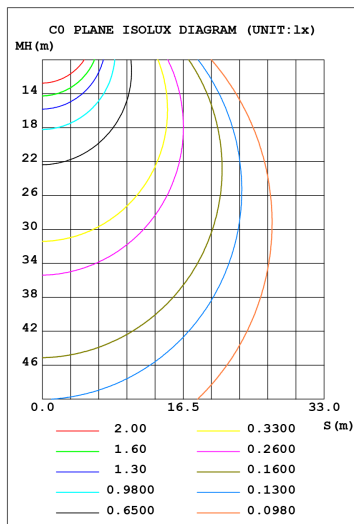
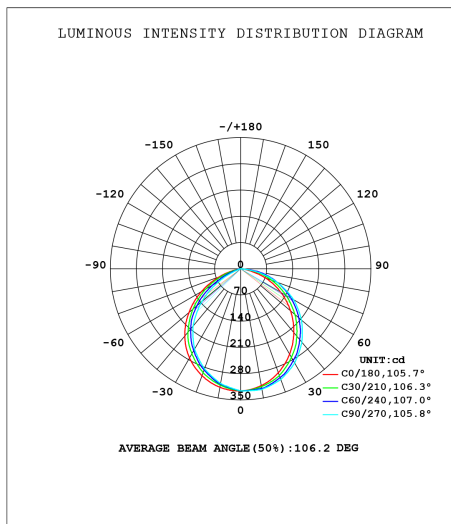
Connection Box: Patented Invention By Lotus LED Lights. Saves Contractors Labour In Installation On Every Job.

Testing: Every Single Driver Is Powered For Minimum 24 Hours Together With The Fixture That It Is Shipped With.

Every LED Is Visually Checked Before And After The PCB Is Mounted On The Fixture. **No Random Tests - We Hand Test Every Fixture & Driver.**

PHOTOMETRIC DATA

DATA OF LAMP		PHOTOMETRIC DATA Eff: 74.26 lm/W			
MODEL	LY41RCD 41K	I _{max} (cd)	327.0	S/MH (C0/180)	1.21
NOMINAL POWER (W)	12	LOR (%)	100.0	S/MH (C90/270)	1.31
RATED VOLTAGE (V)	120	TOTAL FLUX (lm)	821.53	η UP, DN (C0-180)	0.0, 56.5
NOMINAL FLUX (lm)	821.531	CIE CLASS	DIRECT	η UP, DN (C180-360)	0.0, 43.5
LAMPS INSIDE	1	η up (%)	0.0	CIBSE SHR NOM	1.25
TEST VOLTAGE (V)	120.4	η down (%)	100.0	CIBSE SHR MAX	1.35



ORDERING GUIDE

Example: LY41RCD / 41K / WH

LY41RCD / 41K /

Trim Finish

WH : White

BK : Black

BN : Brushed Nickel

Order 277V - 347V Optional Driver Separately As cat # LLL-LD1535H

ACCESSORIES

Sold Separately



Low Voltage Extension Cables
6ft - cat # EXC6, 20ft - cat # EXC20
Max 40 ft Extension Allowed



Rough-In Plates - cat # RIP4



Goof Ring White OD 5 3/4" - cat # GR4



Warehouses

Vancouver, BC

Toronto, ON

Las Vegas, NV

Naples, FL

tel: 1-844-24-LOTUS (56887)

fax: 1-877-561-6306

www.lotusLEDlights.com