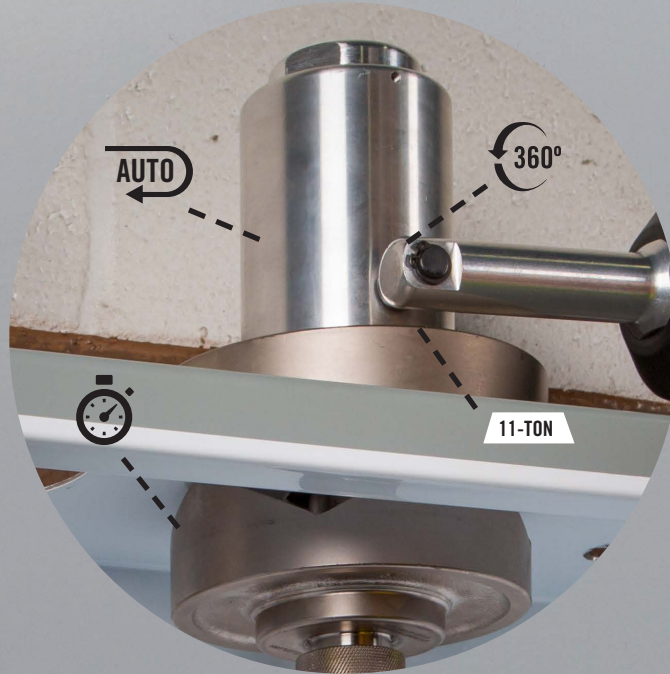




**GREENLEE®**

A Textron Company

**FASTER. SAFER. EASIER.®**



**UPGRADE**  
FROM **MANUAL TOOLS**

**CONVERT** FOR  
BETTER  
**SPEED & QUALITY**

***Intelli-PUNCH™***



Simply the  
**SMARTEST**  
**FASTEST**  
**MOST RELIABLE**  
Knockout Driver  
**EVER BUILT**

# Intelli-PUNCH™

New Design Intelligence

CAT. NO.	UPC NO.	DESCRIPTION
LS100XB	06481	Intelli-PUNCH™ 11-Ton Tool with Case
LS100X11A	06482	Intelli-PUNCH™ 11-Ton Tool with Batteries, Charger & Case
52176	52178	18V, 3.0 Ah Li-ion Battery
52178	52178	120V Charger
EAC18120	52191	Corded AC Adapter, 120V to 18V



Weighs 6.1 lbs (as shown)





#### **PATENT-PENDING AUTO-RETRACT TECHNOLOGY**

Pressure-sensing technology accurately detects punch completion and automatically retracts the ram, preventing damage to knockout parts

**11-TON**

#### **POWERFUL 11-TON PUNCHING FORCE**

Punch up to:  
6" conduit 14 GA - mild steel  
4" conduit 10 GA - mild steel  
4" conduit 10 GA - stainless steel



#### **360° ROTATING HEAD**

Rugged patent-pending swivel design to punch at any angle



#### **TIMESAVER**

Punch faster, with a maximum cycle time of 8 seconds



#### **GATOR EYE® COMPATIBLE**

With i-Press™ software, monitor tool performance including peak forces and number of cycles



#### **COMPACT, ERGONOMIC DESIGN**

Provides easy one-handed operation and an ergonomic tapered grip



#### **COMPATIBILITY**

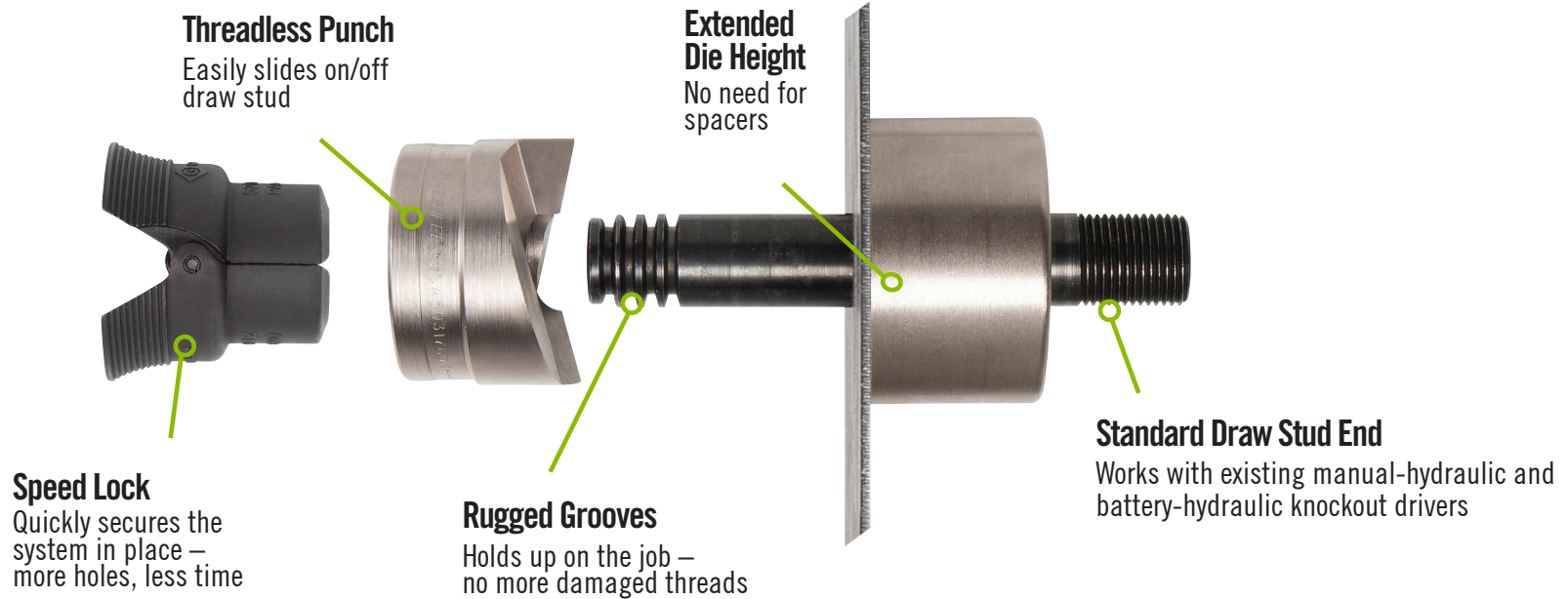
Works with all Greenlee knockouts and other major brands designed for use with a hydraulic tool



#### **BATTERY PLATFORM**

Powerful long-lasting 18V Li-Ion battery, quickly charges in 30 minutes

FOR AN EVEN FASTER PUNCHING SOLUTION,  
USE INTELLI-PUNCH™ WITH OUR PATENTED  
**SPEED PUNCH® KNOCKOUT SYSTEM**



**Intelli-PUNCH™**

Optimized for mild steel

# SLUG-BUSTER®

## SPEED PUNCH® Knockout System

- Punch up to 10 gauge (3.5 mm) mild steel, aluminium, fiberglass, and plastic
- Available in 18 sizes ranging from 1/2"-4" conduit\*
- Use with manual-hydraulic and battery-hydraulic knockout drivers
- Knockouts Made in the USA



CAT. NO.	UPC NO.	DESCRIPTION
LS100X11SBSP	06489	Intelli-PUNCH™ 11-Ton Tool with Slug-Buster® SPEED PUNCH® Knockouts, 1/2" to 2"
LS100X11SBSP4	06495	Intelli-PUNCH™ 11-Ton Tool with Slug-Buster® SPEED PUNCH® Knockouts, 1/2" to 4"
LS100X11SBSP4X	06496	Intelli-PUNCH™ 11-Ton Tool with Slug-Buster® SPEED PUNCH® Knockouts, 1/2" to 3" and 4"

\*See page 66-67 in the 2015 Greenlee Catalog for additional information

Optimized for stainless steel

# SLUG SPLITTER®

## SPEED PUNCH® Knockout System

- Premium-grade tool steel for longer life in stainless steel
- Punch up to 10 gauge (3.5 mm) stainless and mild steel
- Available in 7 sizes ranging from 1/2"-2" conduit\*
- Use with manual-hydraulic and battery-hydraulic knockout drivers
- Knockouts Made in the USA



CAT. NO.	UPC NO.	DESCRIPTION
LS100X11SSSP	06497	Intelli-PUNCH™ 11-Ton Tool with Slug Splitter® SPEED PUNCH® Knockouts, 1/2" to 2"

\*See page 66-67 in the 2015 Greenlee Catalog for additional information





INTELLI-PUNCH™  
ALSO AVAILABLE WITH  
**STANDARD  
THREADED  
KNOCKOUTS**



**Intelli-PUNCH™**

Solutions for mild steel  
**SLUG-BUSTER®**

- Punch up to 10 gauge (3.5 mm) mild steel, aluminium, fiberglass, and plastic
- Available in 55 sizes ranging from 1/2" - 6" conduit\*
- Knockouts Made in the USA

CAT. NO.	UPC NO.	DESCRIPTION
LS100X11SB	06483	Intelli-PUNCH™ 11-Ton Tool with Slug-Buster® Knockouts, 1/2" to 2"
LS100X11SB4	06484	Intelli-PUNCH™ 11-Ton Tool with Slug-Buster® Knockouts, 1/2" to 4"
LS100X11SB4X	06485	Intelli-PUNCH™ 11-Ton Tool with Slug-Buster® Knockouts, 1/2" to 3" and 4"

\*See page 66-67 in the 2015 Greenlee Catalog for additional information



LS100X11SB4

Solutions for stainless steel  
**SLUG SPLITTER®**

- Premium-grade tool steel for longer life in stainless steel
- Punch up to 10 gauge (3.5 mm) stainless and mild steel
- Available in 24 sizes ranging from 1/2" to 4" conduit\*
- Knockouts Made in the USA

CAT. NO.	UPC NO.	DESCRIPTION
LS100X11SS	06486	Intelli-PUNCH™ 11-Ton Tool with Slug Splitter® Knockouts, 1/2" to 2"
LS100X11SS4	06487	Intelli-PUNCH™ 11-Ton Tool with Slug Splitter® Knockouts, 1/2" to 4"
LS100X11SS4X	06488	Intelli-PUNCH™ 11-Ton Tool with Slug Splitter® Knockouts, 1/2" to 3" and 4"

\*See page 66-67 in the 2015 Greenlee Catalog for additional information



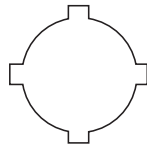
LS100X11SS4

FOR UNIQUE PUNCHING APPLICATIONS,  
USE INTELLI-PUNCH™ WITH OUR COMPLETE OFFERING OF

# SPECIALTY KNOCKOUTS

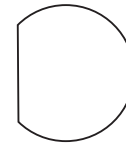
## Oiltight Punches with Notches

- Available in 2 sizes\*



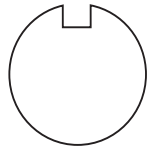
## “D” Punches

- Available in 3 sizes\*



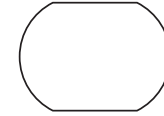
## Key Punches

- Available in 2 sizes\*



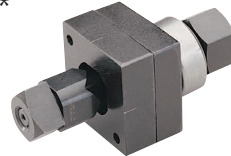
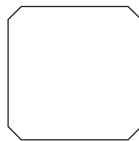
## Double “D” Punches

- Available in 5 sizes\*



## Square and Special Square Punches

- Available in 14 sizes\*



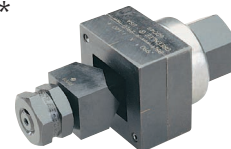
## Electronic Connector Panel Punches

- Available in 5 sizes\*



## Rectangular Punches

- Available in 17 sizes\*



\*See page 93-95 in the 2015 Greenlee Catalog for additional information



**GREENLEE®**

A Textron Company

**FASTER. SAFER. EASIER.®**

**Intelli-PUNCH™**



[www.greenlee.com](http://www.greenlee.com) MA6558 07/16  
4455 Boeing Drive • Rockford, IL 61109-2988 • USA • 815-397-7070  
©2016 Greenlee Textron Inc. • An ISO 9001 Company • Printed in USA  
Greenlee Textron Inc. is a subsidiary of Textron Inc.