

Slug Splitter® SC and Slug Splitter® Knockout Punches

CAT. NO	UPC NO.	CONDUIT SIZE	HOLE SIZE									
			ACTUAL			CAPACITY			PUNCH	DIE	DRAW STUD	SLEEVE
			Ø (INCH)	Ø (MM)	ISO	GA.	(MM)					
745M-16.2	12324		0.638	16.2	16	12	2.5	04599	04598	29451	-	
-	-		0.732	18.6		12	2.5	31119	31128	29451	-	
745M-20.4	12326		0.803	20.4	20	12	2.5	31120	31129	29451	-	
745H-1/2 *	29560	1/2"	0.885	22.5		10	3.5	28154 *	28155	29451	-	
745M-25.4	12317		1.000	25.4	25	10	3.5	04602	04601	29451	-	
745H-3/4 *	12318	3/4"	1.115	28.3		10	3.5	28156 *	28157	29452	-	
740H-1-7/32 *	29563		1.210	30.5		10	3.5	36490 *	36489	29452	-	
745M-32.5	12327		1.280	32.5	32	10	3.5	04605	04603	29452	-	
745H-1 *	12319	1"	1.362	34.6		10	3.5	28158 *	28159	29452	-	
-	-		1.457	37.0		10	3.5	31122	31135	29452	-	
745M-40.5	12329		1.595	40.5	40	10	3.5	04608	04607	29452	-	
745H-1-1/4 *	12320	1-1/4"	1.701	43.2		10	3.5	28160 *	28161	29452	-	
-	-		1.850	47.0		10	3.5	31123	31131	29452	-	
745H-1-1/2 *	12321	1-1/2"	1.951	49.6		10	3.5	28162 *	28163	29452	-	
745M-50.8	12331		2.000	50.8	50	10	3.5	04611	04609	29452	-	
-	-		2.125	54.0		10	3.5	31124	31132	29452	-	
-	-		2.362	60.0		10	3.5	31125	31133	29452	-	
745H-2 *	12322	2"	2.416	61.5		10	3.5	28165 *	28166	29452	-	
745M-64	12334		2.520	64.0	63	10	3.5	04614	04613	29452	-	
745H-2-1/2	00618	2-1/2"	2.914	74.0		10	3.5	00622	00626	29452	-	
745H-3	00619	3"	3.539	89.9		10	3.5	00623	00627	29452	-	
745H-3-1/2	00620	3-1/2"	4.011	102.7		10	3.5	00624	00629	29452	1557SS	
745H-4	00621	4"	4.544	115.4		10	3.5	00625	00630	29452	1557SS	

*Self-Centering Punch Design

SLUG-BUSTER® HYDRAULIC KNOCKOUT KITS

Slug-Buster® Ram and Hand Pump Kits (Inch and Metric)

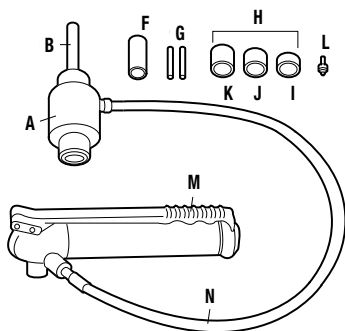


- Fast, easy and simple to operate
- Compact design for field use on construction sites and maintenance jobs
- Punches 10 times faster than wrench method
- Will also drive 751 Cable Cutter head
- Can be used with most standard round Slug-Buster® and Slug Splitter® SC punches (except 1/2", 9/16", 5/8")
- Can be used with non-round punches (adapter may be required)
- 3-foot hose
- Powerful 11-ton hydraulic ram

CAT NO.	UPC NO.	DESCRIPTION	WEIGHT	
			LBS	KG
7646	15906	Driver with Hand Pump, Draw Studs, Spacer and Plastic Case	20	9.1
7306SB	34360	Driver, Hand Pump, Slug-Buster® Punches, Dies and Draw Studs for 1/2" through 2" Conduit, Adapter, Spacers, Kwik Stepper® Step Bit and Plastic Case	24	10.9
7310SB	34361	Driver, Hand Pump, Slug-Buster® Punches, Dies and Draw Studs for 1/2" through 2" and 2-1/2" through 4" Standard Conduit Size Punches, Dies and Draw Studs, Adapter, Spacers, Kwik Stepper® Step Bit and Plastic Case	54	24.5
7646PG-SB	32799	Metric – Driver, Slug-Buster® Pg Punches, Dies and Draw Studs for 15.2 mm through 60.0 mm, Adapter, Spacers, Kwik Stepper® Step Bit and Plastic Case	24	10.9
38520	38520	Driver, Hand Pump, Slug-Buster® Punches and Draw Studs for 1/2" through 3" and 4" Conduit, Adapter, Spacers, Kwik Stepper® Step Bit and Plastic Case	48	21.8

See Accessories Usage Chart on page 102

RAM AND HAND PUMP HYDRAULIC DRIVER PARTS IDENTIFICATION



KEY	CAT. NO.	UPC NO.	DESCRIPTION
R	A	746	17091 Ram (includes Item B)
R	B	2113B	10109 Draw Stud-3/4" x 5 3/8"
R	F	1557AA	03170 Punch Sleeve
R	G	20963	20963 Draw Stud-3/8" x 4.8"
R	H	15908	15908 Spacer Group (includes Items I, J and K)
R	I	1924AA	03248 Spacer-Short
R	J	1925AA	03249 Spacer-Medium
R	K	1926AA	06904 Spacer-Long
R	L	34410	34410 Kwik Stepper® Step Bit 1/2"
R	M	767	13284 Hydraulic Hand Pump
R	N	06302	06302 High Pressure Hose-1/4" x 3'

Slug-Buster® Ram and Hand Pump Kits Parts List

CAT NO.	UPC NO.	DESCRIPTION	HOLE SIZE				KIT CAT./UPC NO.				
			CONDUIT & PIPE SIZE	ACTUAL		7646/15906	7306SB/34360	7310SB/34361	7646PGSB/32799	38520	
				Ø INCH	Ø MM						
721-1/2	31756	1/2" Conduit Size Slug-Buster® Punch					✓	✓	✓	✓	
14722	14722	1/2" Conduit Size Die	1/2"	7/8	0.885	22.5		✓	✓	✓	
721-3/4	31757	3/4" Conduit Size Slug-Buster® Punch					✓	✓		✓	
124AV	06972	3/4" Conduit Size Die	3/4"	1-1/8	1.115	28.3		✓	✓	✓	
721-1	31758	1" Conduit Size Slug-Buster® Punch					✓	✓		✓	
126AV	04011	1" Conduit Size Die	1"	1-3/8	1.362	34.6		✓	✓	✓	
721-1-1/4	31759	1-1/4" Conduit Size Slug-Buster® Punch					✓	✓		✓	
128AV	04013	1-1/4" Conduit Size Die	1-1/4"	1-11/16	1.701	43.2		✓	✓	✓	
721-1-1/2	31760	1-1/2" Conduit Size Slug-Buster® Punch					✓	✓		✓	
440AV	04061	1-1/2" Conduit Size Die	1-1/2"	1-15/16	1.951	49.6		✓	✓	✓	
721-2	31761	2" Conduit Size Slug-Buster® Punch					✓	✓		✓	
442AV	04063	2" Conduit Size Die	2"	2-3/8	2.416	61.5		✓	✓	✓	
1429AV	04175	2-1/2" Conduit Size Punch						✓		✓	
1430AV	04177	2-1/2" Conduit Size Die	2-1/2"	2-7/8	2.914	74.0		✓		✓	
1431AV	04180	3" Conduit Size Punch						✓		✓	
1432AV	04183	3" Conduit Size Die	3"	3-1/2	3.539	89.9		✓		✓	
2982AV	04653	3-1/2" Conduit Size Punch						✓			
2981AV	04652	3-1/2" Conduit Size Die	3-1/2"	4	4.044	102.7		✓			
2984AV	04655	4" Conduit Size Punch						✓		✓	
2983AV	04654	4" Conduit Size Die	4"	4-1/2	4.544	115.4		✓		✓	
31969	31969	Pg-9 Slug-Buster® Punch	—	—	0.598	15.2			✓		
32002	32002	Pg-9 Die	—	—					✓		
31970	31970	Pg-11 Slug-Buster® Punch	—	—	0.732	18.6			✓		
32003	32003	Pg-11 Die	—	—					✓		
31971	31971	Pg-13 Slug-Buster® Punch	—	—	0.803	20.4			✓		
32004	32004	Pg-13 Die	—	—					✓		
31973	31973	Pg-21 Slug-Buster® Punch							✓		
32006	32006	Pg-21 Die	3/4"	—	1.115	28.3			✓		
36284	36284	Slug-Buster® Punch	—						✓		
36279	36279	Die	—	1-7/32	1.210	30.5			✓		
31975	31975	Pg-29 Slug-Buster® Punch	—	—	1.457	37.0			✓		
32008	32008	Pg-29 Die	—	—					✓		
31976	31976	Pg-36 Slug-Buster® Punch	—	—	1.850	47.0			✓		
32009	32009	Pg-36 Die	—	—					✓		
31978	31978	Pg-48 Slug-Buster® Punch	—	—	2.362	60.0			✓		
32011	32011	Pg-48 Die	—	—					✓		
746	17091	Ram (includes following item)					✓	✓	✓	✓	
2113B	10109	Draw Stud-3/4" x 5 3/8"					✓	✓	✓	✓	
1557AA	03170	Punch Sleeve					✓	✓	✓	✓	
20963	20963	Draw stud-3/8" x 4.8"					✓	✓	✓	✓	
15908	15908	Spacer Group (includes 1 ea. of following 3 items)					✓	✓	✓	✓	
1924AA	03248	Spacer-Short					✓	✓	✓	✓	
1925AA	03249	Spacer-Medium					✓	✓	✓	✓	
1926AA	06904	Spacer-Long					✓	✓	✓	✓	
34410	34410	Kwik Stepper® Step Bit 1/2"					✓	✓	✓	✓	
767	13284	Hydraulic Hand Pump					✓	✓	✓	✓	
06302	06302	High Pressure Hose – 1/4" x 3'					✓	✓	✓		
30206	30206	Plastic Case					✓	✓	✓		
05387	05387	Plastic Case							✓	✓	

PUNCHES AND DIES

DRAW STUDS AND MISC.

Slug-Buster® Ram and Foot Pump Hydraulic Driver Kits



- Foot operation frees both hands to position punch
- Punches 10 times faster than wrench method
- Will also drive 751 Cable Cutter head
- Powerful 11-ton hydraulic ram
- Can be used with most standard round, Slug-Buster® and Slug Splitter® SC punch sizes. (except 1/2", 9/16" 5/8")
- Can be used with non-round punches (adapter may be required)

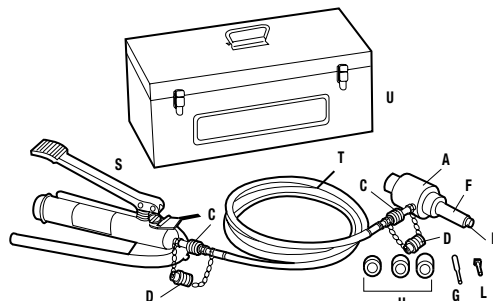
CAT NO.	UPC NO.	DESCRIPTION	WEIGHT	
			LBS	KG
7625	25097	Driver, Foot Pump, Steel Case	37	17
7606SB	07173	Driver, Foot Pump, Slug-Buster® Punches, Dies and Draw Studs for 1/2" through 2" Conduit, Steel Case	42	19
7610SB	07174	Driver, Foot Pump, Slug-Buster® Punches, Dies & Draw Studs for 1/2" through 2" Conduit, Slug-Buster® Punches and 2 1/2" through 4" Conduit Standard Round Punches	60	27

See Accessories Usage Chart on page 102

Ram and Foot Pump Kits Parts List

CAT NO.	UPC NO.	DESCRIPTION	HOLE SIZE				KIT CAT./UPC NO.		
			CONDUIT & PIPE SIZE	ACTUAL		7625/ 25097	7606SB/ 07173	7610SB/ 07174	
				Ø INCH	Ø MM				
PUNCHES AND DIES	721-1/2	31756	1/2" Conduit Size Slug-Buster® Punch	1/2"	7/8	0.885	22.5	✓	✓
	14722	14722	1/2" Conduit Size Die					✓	✓
	721-3/4	31757	3/4" Conduit Size Slug-Buster® Punch	3/4"	1-1/8	1.115	28.3	✓	✓
	124AV	06972	3/4" Conduit Size Die					✓	✓
	721-1	31758	1" Conduit Size Slug-Buster® Punch	1"	1-3/8	1.362	34.6	✓	✓
	126AV	04011	1" Conduit Size Die					✓	✓
	721-1-1/4	31759	1-1/4" Conduit Size Slug-Buster® Punch	1-1/4"	1-11/16	1.701	43.2	✓	✓
	128AV	04013	1-1/4" Conduit Size Die					✓	✓
	721-1-1/2	31760	1-1/2" Conduit Size Slug-Buster® Punch	1-1/2"	1-15/16	1.951	49.6	✓	✓
	440AV	04061	1-1/2" Conduit Size Die					✓	✓
	721-2	31761	2" Conduit Size Slug-Buster® Punch	2"	2-3/8	2.416	61.5	✓	✓
	442AV	04063	2" Conduit Size Die					✓	✓
	1429AV	04175	2-1/2" Conduit Size Punch	2-1/2"	2-7/8	2.914	74.0	✓	✓
	1430AV	04177	2-1/2" Conduit Size Die					✓	✓
	1431AV	04180	3" Conduit Size Punch	3"	3-1/2	3.539	89.9	✓	✓
	1432AV	04183	3" Conduit Size Die					✓	✓
	2982AV	04653	3-1/2" Conduit Size Punch	3-1/2"	4	4.044	102.7	✓	✓
	2981AV	04652	3-1/2" Conduit Size Die					✓	✓
	2984AV	04655	4" Conduit Size Punch	4"	4-1/2	4.544	115.4	✓	✓
	2983AV	04654	4" Conduit Size Die					✓	✓
746	17091	(A) Ram (includes 1 ea. of items B, C, and D)					✓	✓	✓
2113B	10109	(B) Draw Stud-3/4" x 5 3/8"					✓	✓	✓
54167	54167	(C) Female Coupler-1/4"					✓	✓	✓
54168	54168	(D) Dust Plug					✓	✓	✓
1557AA	03170	(F) Punch Sleeve					✓	✓	✓
20963	20963	(G) Draw stud-3/8" x 4.8"					✓	✓	✓
15908	15908	(H) Spacer Group (includes 1 ea. of items I, J, and K)					✓	✓	✓
1924AA	03248	(I) Spacer-Short					✓	✓	✓
1925AA	03249	(J) Spacer-Medium					✓	✓	✓
1926AA	06904	(K) Spacer-Long					✓	✓	✓
34410	34410	(L) Kwik Stepper® Step Bit 1/2"					✓	✓	✓
1725	31353	(S) Hydraulic Foot Pump (includes 1 ea. - 54167 female coupler and 54168 dust plug)					✓	✓	✓
37729	37729	(T) High Pressure Hose Unit - 1/4" x 10'; filled with hydraulic oil; (includes the following 2 items)					✓	✓	✓
54169	54169	Couplers					2	2	2
54170	54170	Dust Caps					2	2	2
23955	23955	(U) Steel case					✓	✓	✓
25094	25094	Tray					✓	✓	✓

RAM AND FOOT PUMP HYDRAULIC DRIVER PARTS IDENTIFICATION
(Match letters above to drawing.)



Quick Draw® Hydraulic Punch Driver and Kits

7706SB
Flex Driver Kit



7806SB
Quick Draw® Kit




7906SB
Quick Draw 90° Kit



The Quick Draw®, Quick Draw 90®, and Quick Draw® Flex feature:

- Compact, lightweight design for portability and fast, easy one-person operation
- Develops 8 tons of hydraulic force for easy punching, even in 10-gauge stainless steel, depending on individual punch capacities
- Quick Draw® is perfect for fast, straight-on front panel punching
- Quick Draw 90®'s right angle driver head rotates over 180 degrees for maximum flexibility in tight working areas
- Quick Draw® Flex allows unlimited driver orientation to simplify access to work area
- Can be used with non-round punches within the capacity of the tool (adapter may be required)
- U.S. Patent #6,772,521
- Knockouts Made in the USA



CAT. NO.	UPC NO.	DESCRIPTION
7704SB	10475	Quick Draw® Flex Driver, 2 Draw Studs, 1 Adapter, 1 Spacer and Case
7706SB	10476	Standard – Quick Draw® Flex Driver, 1/2" through 2" Slug-Buster® Conduit Size Punches and Dies, 2 Draw Studs, 1 Adapter, 1 Spacer and Case
7804SB	34292	Quick Draw® Driver, 2 Draw Studs, 1 Adapter, 1 Spacer and Case
7806SB	34293	Standard – Quick Draw® Driver, 1/2" through 2" Slug-Buster® Conduit Size Punches and Dies 2 Draw Studs, 1 Adapter, 1 Spacer and Case
7804E	34291	Metric – Quick Draw® Driver, 2 Draw Studs, 1 Adapter, 1 Spacer and Case
7804ESB	35611	Metric – Quick Draw® Driver, Slug-Buster® Pg Punches and Dies 15.2 mm through 30.5 mm, 2 Draw Studs, 1 Adapter, 1 Spacer and Case
7804ISO	35614	Metric – Quick Draw® Driver, Slug-Buster® ISO Punches and Dies 16.2 mm through 40.5 mm, 2 Draw Studs, 1 Adapter, 1 Spacer and Case
7904SB	33794	Quick Draw 90° Driver, 2 Draw Studs, 1 Adapter, 1 Spacer and Case
7906SB	34300	Quick Draw 90° Driver, 1/2" through 2" Slug-Buster® Conduit Size Punches and Dies, Draw Studs, 1 Adapter, 1 Spacer and Case
7904E	34299	Metric – Quick Draw 90° Driver, 2 Draw Studs, 1 Adapter, 1 Spacer and Case
7904ESB	35615	Metric – Quick Draw 90° Driver, Slug-Buster® Pg Punches and Dies 15.2 mm through 30.5 mm, 2 Draw Studs, 1 Adapter, 1 Spacer and Case
7904ISO	35616	Metric – Quick Draw 90° Driver, Slug-Buster® ISO Punches and Dies 16.2 mm through 40.5 mm, 2 Draw Studs, 1 Adapter, 1 Spacer and Case
 34983	34983	Plastic Case

See Accessories Usage Chart on page 102

Parts List for Quick Draw®, Quick Draw 90® and Quick Draw® Flex Kits

CAT NO.	UPC NO.	DESCRIPTION	HOLE SIZE				KIT CAT./UPC NO.										
			CONDUIT & PIPE SIZE	ACTUAL		7704SB/10475	7706SB/10476	7804E/34291	7804ESB/35611	7804ISO/35614	7804SB/34292	7806SB/34293	7904E/34299	7904ESB/35615	7904ISO/35616	7904SB/33794	7906SB/34300
				Ø INCH	Ø MM												
721-1/2	31756	1/2" Conduit Size Slug-Buster® Punch	1/2"	7/8	0.885	22.5		✓		✓			✓		✓		✓
14722	14722	1/2" Conduit Size Die						✓		✓			✓				✓
721-3/4	31757	3/4" Conduit Size Slug-Buster® Punch	3/4"	—	1.115	28.3		✓					✓				✓
124AV	06972	3/4" Conduit Size Die						✓					✓				✓
721-1	31758	1" Conduit Size Slug-Buster® Punch	1"	—	1.362	34.6		✓					✓				✓
126AV	04011	1" Conduit Size Die						✓					✓				✓
721-1-1/4	31759	1-1/4" Conduit Size Slug-Buster® Punch	1-1/4"	1-11/16	1.701	43.2		✓					✓				✓
128AV	04013	1-1/4" Conduit Size Die						✓					✓				✓
721-1-1/2	31760	1-1/2" Conduit Size Slug-Buster® Punch	1-1/2"	1-15/16	1.951	49.6		✓					✓				✓
440AV	04061	1-1/2" Conduit Size Die						✓					✓				✓
721-2	31761	2" Conduit Size Slug-Buster® Punch	2"	2-3/8	2.416	61.5		✓					✓				✓
442AV	04063	2" Conduit Size Die						✓					✓				✓
31969	31969	Pg-9 Slug-Buster® Punch	—	—	0.598	15.2											✓
32002	32002	Pg-9 Die															✓
31970	31970	Pg-11 Slug-Buster® Punch	—	—	0.732	18.6											✓
32003	32003	Pg-11 Die															✓
31971	31971	Pg-13 Slug-Buster® Punch	—	—	0.803	20.4											✓
32004	32004	Pg-13 Die															✓
31973	31973	Pg-21 Slug-Buster® Punch	3/4"	—	1.115	28.3											✓
32006	32006	Pg-21 Die															✓
36284	36284	30.5 mm Slug-Buster® Punch	—	1-7/32	1.210	30.5											✓
36279	36279	30.5 mm Die															✓
35163	35163	ISO-16 Slug-Buster® Punch	—	—	0.638	16.2											✓
35162	35162	ISO-16 Die															✓
35165	35165	ISO-25 Slug-Buster® Punch	—	1	1.000	25.4											✓
35164	35164	ISO-25 Die															✓
35169	35169	ISO-32 Slug-Buster® Punch	—	—	1.280	32.5											✓
35168	35168	ISO-32 Die															✓
35158	35158	ISO-40 Slug-Buster® Punch	—	—	1.595	40.5											✓
35159	35159	ISO-40 Die															✓
34288	34288	Quick Draw® Hydraulic Punch Driver															✓
33786	33786	Quick Draw 90® Hydraulic Punch Driver															✓
10383	10383	Quick Draw® Flex Driver						✓	✓								✓
1614SS	30043	Draw Stud - 3/8" x 2-13/16"						✓	✓	✓	✓	✓	✓	✓	✓	✓	✓
31872	31872	Draw Stud - 3/4" x 4-1/8"						✓	✓	✓	✓	✓	✓	✓	✓	✓	✓
1924AA	03248	Spacer - Short						✓	✓	✓	✓	✓	✓	✓	✓	✓	✓
33967	33967	Stud Adapter - 3/8"						✓	✓	✓	✓	✓	✓	✓	✓	✓	✓
35202	35202	Plastic Case															✓
34983	34983	Plastic Case															✓
10391	10391	Plastic Case						✓	✓								✓

PUNCHES AND DIES

DRAW STUDS AND MISC.

SLUG-BUSTER® KNOCKOUTS

Slug-Buster® Knockout Kit with Ratchet Wrench



7238SB

- 1" Hex Ratchet Wrench allows use with both 3/8" (9.5 mm) and 3/4" (19.1 mm) draw studs
- High-impact, rugged plastic carrying case
- Knockouts Made in the USA



CAPACITY

MILD STEEL WEIGHT

GA MM LBS KG

CAT NO.	UPC NO.	DESCRIPTION	CAPACITY			
			MILD STEEL		WEIGHT	
GA	MM	LBS	KG			
7238SB	34757	1/2" – 2" Conduit Size Slug-Buster® Knockout Punch Kit	10	3.5	10	4.54

7238SB/34757 SLUG-BUSTER® KNOCKOUT PUNCH KIT INCLUDES

CAT NO.	UPC NO.	DESCRIPTION	ACTUAL HOLE SIZE		
			Ø INCH	Ø INCH	Ø MM
34941	34941	Ratchet wrench – 1" Hex			
721-1/2	31756	1/2" Conduit Size Punch	7/8	.885	22.5
14722	14722	1/2" Conduit Size Die	7/8	.885	22.5
721-3/4	31757	3/4" Conduit Size Punch	1-1/8	1.115	28.3
124AV	06972	3/4" Conduit Size Die	1-1/8	1.115	28.3
721-1	31758	1" Conduit Size Punch	1-3/8	1.362	34.6
126AV	04011	1" Conduit Size Die	1-3/8	1.362	34.6
721-1-1/4	31759	1-1/4" Conduit Size Punch	1-11/16	1.701	43.2
128AV	04013	1-1/4" Conduit Size Die	1-11/16	1.701	43.2
721-1-1/2	31760	1-1/2" Conduit Size Punch	1-15/16	1.951	49.6
440AV	04061	1-1/2" Conduit Size Die	1-15/16	1.951	49.6
721-2	31761	2" Conduit Size Punch	2-3/8	2.416	61.5
442AV	04063	2" Conduit Size Die	2-3/8	2.416	61.5
00042	00042	Ball Bearing Draw Stud with 1" Hex Head–3/8" x 1-5/8"			
304AVBB	04042	Ball Bearing Draw Stud–3/4" x 2-15/16"			
34758	34758	Plastic Case			

Slug-Buster® Manual Knockout Sets

- Assortment of commonly used Slug-Buster® knockout punches, packaged to meet the contractor's needs
- High-impact, rugged plastic carrying case
- Knockouts Made in the USA



7235BB



7237BB



CAPACITY

MILD STEEL WEIGHT

CAT NO.	UPC NO.	DESCRIPTION	MILD STEEL WEIGHT			
			GA	MM	LBS	KG
7235BB	32013	1/2" - 1-1/4" Conduit Size Manual Slug-Buster® Knockout Punch Kit	10	3.5	2.7	1.2
7237BB	32014	1-1/2" and 2" Conduit Size Manual Slug-Buster® Knockout Punch Kit	10	3.5	5.2	2.4

7235BB/32013 SLUG-BUSTER® KNOCKOUT PUNCH SET INCLUDES

CAT NO.	UPC NO.	DESCRIPTION	HOLE SIZE ACTUAL		
			Ø INCH	Ø MM	
721-1/2	31756	1/2" Conduit Size Punch	7/8	.885	22.5
14722	14722	1/2" Conduit Size Die	7/8	.885	22.5
00042	00042	Draw Stud-3/8" x 1-5/8"	—	—	—
721-3/4	31757	3/4" Conduit Size Punch	—	1.115	28.3
124AV	06972	3/4" Conduit Size Die	—	1.115	28.3
721-1	31758	1" Conduit Size Punch	—	1.362	34.6
126AV	04011	1" Conduit Size Die	—	1.362	34.6
721-1-1/4	31759	1-1/4" Conduit Size Punch	—	1.701	43.2
128AV	04013	1-1/4" Conduit Size Die	—	1.701	43.2
249AVBB	04040	Draw Stud-3/4" x 2-1/8"	—	—	—
31880	31880	Plastic Case	—	—	—

7237BB/32014 SLUG-BUSTER® KNOCKOUT PUNCH SET INCLUDES

CAT NO.	UPC NO.	DESCRIPTION	HOLE SIZE ACTUAL		
			Ø INCH	Ø MM	
721-1-1/2	31760	1-1/2" Conduit Size Punch	—	1.951	49.6
440AV	04061	1-1/2" Conduit Size Die	—	1.951	49.6
721-2	31761	2" Conduit Size Punch	2-3/8	2.416	61.5
442AV	04063	2" Conduit Size Die	2-3/8	2.416	61.5
304AVBB	04042	Draw Stud-3/4" x 2-15/16"	—	—	—
32012	32012	Plastic Case	—	—	—

Slug-Buster® Knockout Kit with Ratchet Wrench - Metric

36690



- 1" (25.4 mm) hex ratchet wrench allows use with both 3/8" (9.5 mm) and 3/4" (19.1 mm) draw studs
- 3/8" (9.7 mm) Kwik Stepper® step bit included
- High-impact, rugged plastic carrying case
- Knockouts Made in the USA



CAT NO.	UPC NO.	DESCRIPTION	WEIGHT	
			LBS	KG
36690	36690	Pg-9 through Pg-21 and 30.5 mm Manual Slug-Buster® Metric Knockout Punch Kit	4.7	2.1
36691	36691	Pg-9 through Pg-48 and 30.5 mm Manual Slug-Buster® Metric Knockout Punch Kit	9	4.1
36692	36692	ISO-16 through ISO-40 Manual Slug-Buster® Metric Knockout Punch Kit	5.6	2.5
36693	36693	ISO-16 through ISO-63 Manual Slug-Buster® Metric Knockout Punch Kit	9	4.1

CAT NO.	UPC NO.	DESCRIPTION	HOLE SIZE				KIT CAT./UPC NO.			
			ACTUAL		CAPACITY MILD STEEL		36690	36691	36692	36993
			IN.	MM	GA	MM				
31969	31969	Pg-9 Slug-Buster® Punch	—		14	2.0	✓	✓		
32002	32002	Pg-9 Die	—	0.598	15.2	14	2.0	✓	✓	
31970	31970	Pg-11 Slug-Buster® Punch	—		14	2.0	✓	✓		
32003	32003	Pg-11 Die	—	0.732	18.6	14	2.0	✓	✓	
31971	31971	Pg-13 Slug-Buster® Punch	—		14	2.0	✓	✓	✓	✓
32004	32004	Pg-13 Die	—	0.803	20.4	14	2.0	✓	✓	✓
721-1/2	31756	Pg-16 Slug-Buster® Punch	7/8	0.885	22.5	10	3.5	✓	✓	
14722	14722	Pg-16 Die	—		10	3.5	✓	✓		
31973	31973	Pg-21 Slug-Buster® Punch	—		14	2.0	✓	✓		
32006	32006	Pg-21 Die	—	1.115	28.3	14	2.0	✓	✓	
36284	36284	30.5 mm Slug-Buster® Punch	1-7/32	1.210	30.5	14	2.0	✓	✓	
36279	36279	30.5 mm Die	—		14	2.0	✓	✓		
31975	31975	Pg-29 Slug-Buster® Punch	—		10	3.5		✓		
32008	32008	Pg-29 Die	—	1.457	37.0	10	3.5		✓	
31976	31976	Pg-36 Slug-Buster® Punch	—		10	3.5		✓		
32009	32009	Pg-36 Die	—	1.850	47.0	10	3.5		✓	
31978	31978	Pg-48 Slug-Buster® Punch	—		10	3.5		✓		
32011	32011	Pg-48 Die	—	2.362	60.0	10	3.5		✓	
35163	35163	ISO-16 Slug-Buster® Punch	—		14	2.0			✓	✓
35162	35162	ISO-16 Die	—	0.638	16.2	14	2.0		✓	✓
35165	35165	ISO-25 Slug-Buster® Punch	1	1.000	25.4	14	2.0		✓	✓
35164	35164	ISO-25 Die	—		14	2.0			✓	✓
35169	35169	ISO-32 Slug-Buster® Punch	—		10	3.5			✓	✓
35168	35168	ISO-32 Die	—	1.280	32.5	10	3.5		✓	✓
35158	35158	ISO-40 Slug-Buster® Punch	—		10	3.5			✓	✓
35159	35159	ISO-40 Die	—	1.595	40.5	10	3.5		✓	✓
35160	35160	ISO-50 Slug-Buster® Punch	2	2.000	50.8	10	3.5			✓
35161	35161	ISO-50 Die	—		10	3.5				✓
35167	35167	ISO-63 Slug-Buster® Punch	2-1/2	2.500	63.5	10	3.5			✓
35166	35166	ISO-63 Die	—		10	3.5				✓
249AVBB	04040	Draw Stud – 3/4" x 2-1/8"							✓	
304AVBB	04042	Draw Stud – 3/4" x 2-15/16"							✓	✓
36018	36018	Kwik Stepper® Step Bit 9.7mm						✓	✓	✓
34941	34941	Ratchet Wrench – 1" Hex						✓	✓	✓
00042	00042	Ball Bearing Drive Nut with 1" Hex Head, 3/8" x 3"						✓	✓	✓
36685	36685	Plastic Case						✓	✓	✓