


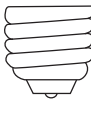

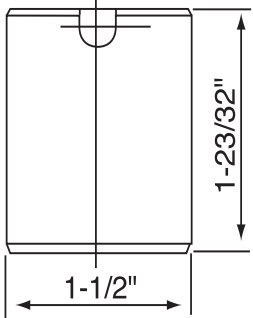
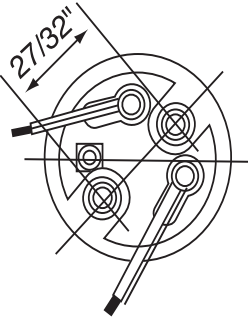
MEDIUM BASE



PORCELAIN LAMPHOLDER KEYLESS, MEDIUM BASE


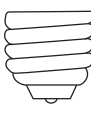

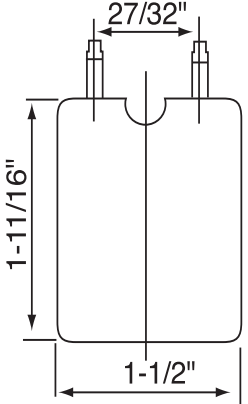
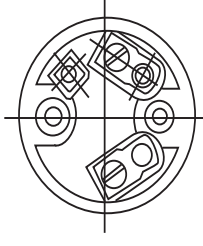
H9

IS2209 Porcelain Keyless Lampholder with Two #6 - 32" Female Bushings for Mounting

  <p>E - 26</p>	<p>1" BASE DIAMETER</p>	<ul style="list-style-type: none"> - Unglazed porcelain body 1 23/32" high and 1 1/2" outer diameter - Spring brass centre contact - Aluminum screw shell is standard, brass or nickel-plated copper available to order - Standard leads are 18 AWG, EXL 125°C, 12" long, stripped 1/2" or specify desired length and type of wire 	<ul style="list-style-type: none"> - Available with screw terminals for wiring - Two threaded #6-32 female bushing for mounting - 660W, 250V - cULus Listed
  			

INCANDESCENT

IS2210 Porcelain Keyless Lampholder with Two #6 - 32" Screws for Mounting

  <p>E - 26</p>	<p>1" BASE DIAMETER</p>	<ul style="list-style-type: none"> - Unglazed porcelain body 1 11/16" high with 1 1/2" outer diameter - Spring brass centre contact - Aluminum screw shell is standard, brass or nickel-plated copper available to order - Standard leads are 18 AWG, EXL 125°C, 12" long, stripped 1/2" or specify desired length and type of wire 	<ul style="list-style-type: none"> - Also available with screw terminals backed out and staked – specify part number IS2210-T when ordering = S/B IS2210-TA - Two #6-32 captive screws for mounting - Insulating cap IPS51 metal or ISP-53 phenolic available - cULus Listed
  			

FOR MORE INFORMATION PLEASE CALL 1-800-661-9610 (HEAD OFFICE) 1-888-762-5384 (USA)

PLEASE CONSULT THE FACTORY FOR MORE PRODUCTS AND CUSTOMIZATION.
PRODUCT DETAILS AND SPECIFICATIONS ARE SUBJECT TO CHANGE WITHOUT NOTICE.

