


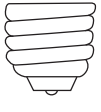

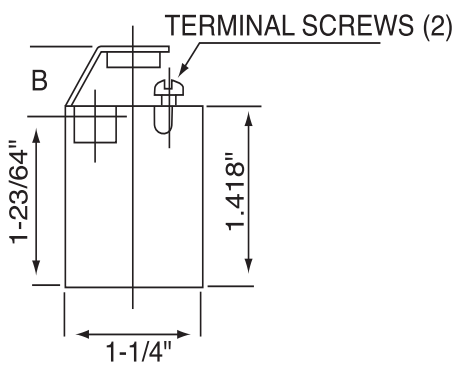
MEDIUM BASE



PHENOLIC LAMPHOLDER KEYLESS, MEDIUM BASE

H7


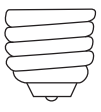

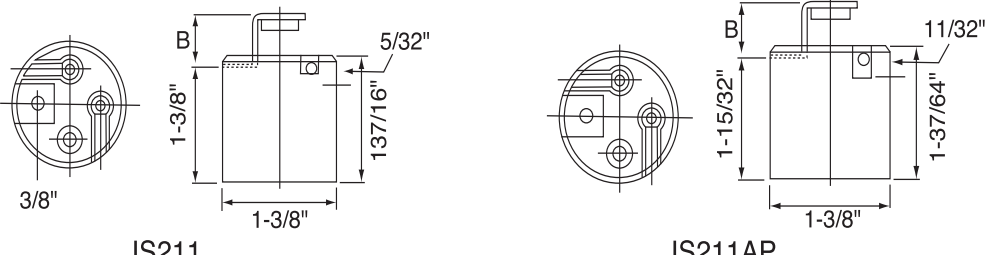
IS275 Series Phenolic Keyless Lampholder with Screw Terminals

  <p>E - 26</p>	<p>1" BASE DIAMETER</p>	<ul style="list-style-type: none"> - High heat phenolic body - Aluminum screw shell is standard, brass or nickel-plated copper available to order - The above series are designed to accommodate a wide variety of hickeys or brackets, which can be ordered from the following pages - Insulating fibre cover or cap can be attached upon request - 660W, 250V - cULus Listed
		

INCANDESCENT

PORCELAIN LAMP HOLDERS KEYLESS, MEDIUM BASE

IS211 Series Porcelain Keyless Lampholder

  <p>E - 26</p>	<p>1" BASE DIAMETER</p>	<ul style="list-style-type: none"> - Unglazed porcelain body with wireways - Available with deep wire well to meet UL AP requirements, specify part number IS211AP - Aluminum screw shell is standard, brass or nickel-plated copper available to order - Standard leads are 18 AWG, EXL 125°C, 12" long, stripped 1/2" or specify desired length and type of wire - The above series are designed to accommodate a wide variety of hickeys or brackets, which can be ordered from the following pages - Insulating fibre cover or cap can be attached upon request - Also available with ground wire - Many configurations are available, as well as many mounting options - 660W, 250V - cULus Listed
		

FOR MORE INFORMATION PLEASE CALL 1-800-661-9610 (HEAD OFFICE) 1-888-762-5384 (USA)

PLEASE CONSULT THE FACTORY FOR MORE PRODUCTS AND CUSTOMIZATION.
PRODUCT DETAILS AND SPECIFICATIONS ARE SUBJECT TO CHANGE WITHOUT NOTICE.

