

Grip-Tite® Strain Relief Connectors

Type SR

Straight

Use:

To secure and seal cords or cables entering enclosures or raceways.

Features:

- Grip-tite style - 2-piece internal design features a nylon gripper for exceptional pullout protection and a neoprene grommet for a moisture-proof seal (up to 1" dia. cord range).
- Dual-grommet style - for over 1" dia. cord range. Removable insert allows for wider range of cable diameters within single fitting
- Simple installation, cord can be installed without disassembly of the fitting
- Liquidtight/Oiltight/Raintight
- UL Listed NEMA 4, 6 & 12 when installed into a NPT threaded entry or UL Listed conduit hub (sizes 1½" and larger require thread sealant).
- Rated at 90°C
- Suitable for NEMA 4 enclosures and other wet locations
- Male tapered thread NPT
- Slim diameter profile allows close spacing between connectors
- Furnished complete with sealing ring and locknut
- Colored gripper allows for easy identification

Material:

Malleable Iron Body & Gland Nut, Nylon Gripper, Neoprene Grommet, PVC or Buna-N Sealing Ring, Steel Locknut

Finish:

Zinc Plated on Body, Gland Nut and Locknut

Optional Finish:

Mechanical Galvanized
Contact your local representative

Third Party Certification:



UL Listed: E-11857



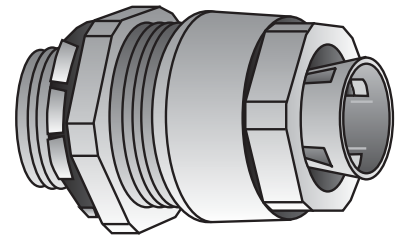
CSA Certified: 009795

Applicable Third Party Standards:

UL Standard: 514B
CSA Standard: C22.2 No. 18
Fed. Spec: W-F-406E

Notes:

Suitable for use in Hazardous Locations under NEC Sec. 501-4(b), 502-4(a) (2), and 503-3(a). For Class I, Div. 2, Class II, Div. 1, 2, and Class III, Div. 1, 2.



Type SR-50-250

| Catalog Number | Dimensions in Inches | | | Style | Color | Dimensions in Inches | | |
|----------------|----------------------|-----------------|----------|----------------|--------|----------------------|-------------|----------|
| | Cord Range Min. | Cord Range Max. | Hub Size | | | Throat I.D. | Body Length | Max Dia. |
| SR-50-250 | .156 | .250 | ½ | Grip-Tite | Red | .53 | 1¼ | 1⅝ |
| SR-50-375 | .250 | .375 | ½ | | White | .53 | 1¼ | 1⅝ |
| SR-50-500 | .375 | .500 | ½ | | Blue | .53 | 1¼ | 1⅝ |
| •SR-50-625 | .500 | .625 | ½ | | Brown | •.61 | 1¼ | 1⅝ |
| SR-75-250 | .156 | .250 | ¾ | Grip-Tite | Red | .53 | 1¼ | 1⅝ |
| SR-75-375 | .250 | .375 | ¾ | | White | .53 | 1¼ | 1⅝ |
| SR-75-500 | .375 | .500 | ¾ | | Blue | .53 | 1¼ | 1⅝ |
| SR-75-625 | .500 | .625 | ¾ | | Brown | .75 | 1¼ | 1⅝ |
| SR-75-750 | .625 | .750 | ¾ | | Yellow | .78 | 1¼ | 1½ |
| •SR-75-875 | .750 | .875 | ¾ | Purple | •.81 | 1¼ | 1¼ | |
| SR-100-750 | .625 | .750 | 1 | Grip-Tite | Yellow | .78 | 1¼ | 1¼ |
| SR-100-875 | .750 | .875 | 1 | | Purple | .96 | 1¼ | 1¼ |
| SR-100-1000 | .875 | 1.000 | 1 | | Grey | 1.05 | 1¼ | 1⅝ |
| SR-125-1000 | .875 | 1.000 | 1¼ | | Grey | 1.20 | 1⅝ | 2⅝ |
| •SR-100-1125 | 1.000 | 1.125 | 1 | Single Grommet | | •1.05 | 1⅝ | 1½ |
| •SR-125-1375 | 1.000 | 1.375 | 1¼ | | | •1.35 | 1⅝ | 2½ |
| SR-150-1375 | 1.000 | 1.375 | 1½ | Dual Grommet | | 1.38 | 1⅝ | 2½ |
| •SR-150-1750 | 1.375 | 1.750 | 1½ | | | •1.53 | 1⅝ | 3 |
| SR-200-1750 | 1.375 | 1.750 | 2 | | | 1.59 | 2⅝ | 3 |
| SR-250-2000 | 1.625 | 2.000 | 2½ | | | 2.50 | 2½ | 4 |
| SR-250-2250 | 1.875 | 2.250 | 2½ | | | 2.50 | 2½ | 4 |
| SR-300-2250 | 1.875 | 2.250 | 3 | | | 2.50 | 2½ | 4½ |
| SR-300-2500 | 2.125 | 2.500 | 3 | | 2.50 | 2½ | 4½ | |

•Remove enough jacket to get conductors through throat I.D.

Grip-Tite® Strain Relief Connectors

Type SR

90°

Use:

To secure and seal cords or cables entering enclosures or raceways.

Features:

- Grip-tite style - 2-piece internal design features a nylon gripper for exceptional pullout protection and a neoprene grommet for a moisture-proof seal (up to 1" dia. cord range).
- Dual-grommet style - for over 1" dia. cord range. Removable insert allows for wider range of cable diameters within single fitting
- Simple installation, cord can be installed without disassembly of the fitting
- Liquidtight/Oiltight/Raintight
- UL Listed NEMA 4, 6 & 12 when installed into a NPT threaded entry or UL Listed conduit hub.
- Rated at 90°C
- Suitable for NEMA 4 enclosures and other wet locations
- Male tapered thread NPT
- Slim diameter profile allows close spacing between connectors
- Furnished complete with sealing ring and locknut
- Colored gripper allows for easy identification

Material:

Malleable Iron Body & Gland Nut, Nylon Gripper, Neoprene Grommet, PVC or Buna-N Sealing Ring, Steel Locknut

Finish:


Zinc Plated on Body, Gland Nut and Locknut

Optional Finish:

Mechanical Galvanized
Contact your local representative.

Third Party Certification:

 UL Listed: E-11857

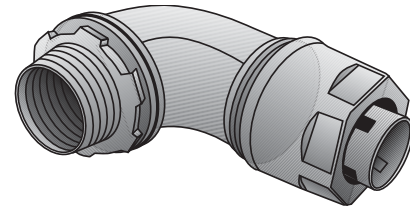
 CSA Certified: 009795

Applicable Third Party Standards:

UL Standard: 514B
CSA Standard: C22.2 No. 18
Fed. Spec: W-F-406E

Notes:

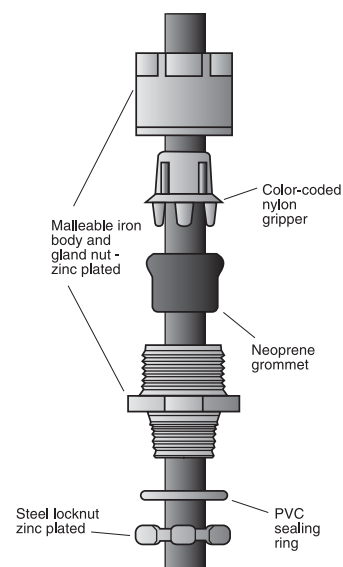
Suitable for use in Hazardous Locations under NEC Sec. 501-4(b), 502-4(a) (2), and 503-3(a). For Class I, Div. 2, Class II, Div. 1, 2, and Class III, Div. 1, 2.



Type SR-950-250

| Catalog Number | Dimensions in Inches | | | Style | New Color | Dimensions in Inches | | | |
|----------------|----------------------|-------|----------|-----------|--------------|----------------------|-------------|----------|----------------|
| | Cord Range | | Hub Size | | | Throat I.D. | Body Length | Max Dia. | Turning Radius |
| SR-950-250 | .156 | .250 | ½ | Grip-Tite | Red | .59 | 1⅞ | 1⅞ | 1⅞ |
| SR-950-375 | .250 | .375 | ½ | | White | .59 | 1⅞ | 1⅞ | 1⅞ |
| SR-950-500 | .375 | .500 | ½ | | Blue | .59 | 1⅞ | 1⅞ | 1⅞ |
| •SR-950-625 | .500 | .625 | ½ | | Brown | •.59 | 1⅞ | 1⅞ | 1⅞ |
| SR-975-250 | .156 | .250 | ¾ | Grip-Tite | Red | .81 | 1⅞ | 1⅞ | 1⅞ |
| SR-975-375 | .250 | .375 | ¾ | | White | .81 | 1⅞ | 1⅞ | 1⅞ |
| SR-975-500 | .375 | .500 | ¾ | | Blue | .81 | 1⅞ | 1⅞ | 1⅞ |
| SR-975-625 | .500 | .625 | ¾ | | Brown | .81 | 1⅞ | 1⅞ | 1⅞ |
| SR-975-750 | .625 | .750 | ¾ | | Yellow | .81 | 1⅞ | 1½ | 2 |
| •SR-975-875 | .750 | .875 | ¾ | Purple | •.82 | 1⅞ | 1⅞ | 1⅞ | |
| SR-9100-875 | .750 | .875 | 1 | Grip-Tite | Purple | 1.02 | 1⅞ | 1⅞ | 2 |
| SR-9100-1000 | .875 | 1.000 | 1 | | Grey | 1.04 | 2½ | 1⅞ | 2 |
| SR-9125-1000 | .875 | 1.000 | 1¼ | Grip-Tite | Grey | 1.34 | 2⅞ | 1⅞ | 2⅞ |
| •SR-9125-1375 | 1.000 | 1.375 | 1¼ | | Dual Grommet | •1.34 | 2⅞ | 1⅞ | 2⅞ |

•Remove enough jacket to get conductors through Throat I.D.



Strain Relief Installation

Grip-Tite® Strain Relief Connectors

Selection Chart*

GRIP-TITE STRAIN RELIEF CONNECTOR SELECTION CHART

Catalog Number Suffix (Nylon Gripper Color)

| TYPE OF CORD | SV SVO SVT | SJT | SJ, SJTO, SJO | | | | | | STO | | | | | S, SO | | | | | | | | | | |
|---------------|------------|-----|---------------|----|-------|----|-------|----|-------|----|-------|----|-------|-------|-------|----|-------|---|-------|---|-------|--|-------|--|
| | | | 18 | 16 | 14 | 12 | 10 | 18 | 16 | 14 | 12 | 10 | 18 | 16 | 14 | 12 | 10 | 8 | 6 | 4 | | | | |
| WIRE SIZE | 2 3 | | 2 3 4 | | 2 3 4 | | 2 3 4 | | 2 3 4 | | 2 3 4 | | 2 3 4 | | 2 3 4 | | 2 3 4 | | 2 3 4 | | 2 3 4 | | 2 3 4 | |
| NO. OF COND | 2 3 | | 2 3 4 | | 2 3 4 | | 2 3 4 | | 2 3 4 | | 2 3 4 | | 2 3 4 | | 2 3 4 | | 2 3 4 | | 2 3 4 | | 2 3 4 | | 2 3 4 | |
| -250 (RED) | | | | | | | | | | | | | | | | | | | | | | | | |
| -375 (WHITE) | | | | | | | | | | | | | | | | | | | | | | | | |
| -500 (BLUE) | | | | | | | | | | | | | | | | | | | | | | | | |
| -625 (BROWN) | | | | | | | | | | | | | | | | | | | | | | | | |
| -750 (YELLOW) | | | | | | | | | | | | | | | | | | | | | | | | |
| -875 (PURPLE) | | | | | | | | | | | | | | | | | | | | | | | | |
| -1000 (GREY) | | | | | | | | | | | | | | | | | | | | | | | | |

*This chart is intended for use as a guide only. Whenever possible, exact cord dimensions should be used. O-Z/Gedney Company assumes no liability for errors, omissions or dimensional changes which may result from changes in design, material or the manufacturing process and which may affect cord and fitting compatibility.