

IDSR Interlocked Switched Receptacles

For use in CEC governed locations. With Breaker or Disconnect Switch, Fusible or Non-fusible. Weatherproof. Watertight. For use with Powertite® ACP plugs.

CEC:
NEMA 3, 3R, 4, 4X, 5, 12
(30 Amp receptacle is not available as TYPE 4X)

Applications

- Used to supply power to portable and mobile electrical equipment in all indoor and outdoor non-hazardous locations.
- Used to provide short circuit protection to portable equipment when supplied with a circuit breaker or fused disconnect.
- Provides a convenient ON-OFF mechanism.
- Ideal for use in areas where dust, dirt or moisture is a problem.
- Suitable for use in:
 - Chemical plants
 - Process facilities
 - Meat packing plants
 - Other manufacturing industries
- Provides high amperage power to heavy equipment such as:
 - Motor-generator sets
 - Compressors
 - Heating and cooling units
 - Welders
 - Conveyors

Features

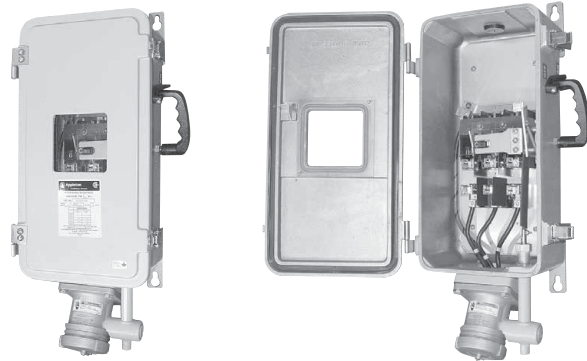
- Receptacles are provided with a safety-interlock system. Plugs cannot be inserted or removed unless the power switch is in the OFF position.
- The Safety-Interlock is designed to free both hands for insertion and removal of the plug.
- A cover interlock is provided to prevent entry to the enclosure while the operator is in the “ON” position.
- Uses standard Powertite ACP or CPH plugs for wide acceptability.
- Furnished with rugged cast aluminum housings.
- Flip cap standard and screw cap provided at no additional cost to meet TYPE 4X applications (screw cap not available on 30 amp).
- Receptacles with 3 phase 4 wire grounded receptacles are pre-wired to the breaker or disconnect switch.
- Patented brass receptacle contacts exert constant pressure for good electrical continuity.
- Appleton’s insulating blocks provide the greatest dielectric and mechanical strength.
- Ergonomically designed yet rugged cast aluminum handle for exceptional durability and corrosion resistance.
- 600 Vac FB Circuit Breakers.
- Provision is made for locking the operating mechanism in the OFF position.
- Cast Aluminum, Spring Door: Enclosure 3 and 5.
- Cast Aluminum, Screw Cap: Enclosure 3, 4X and 5.
- Stainless Steel: Enclosure type 3, 3R, 4, 4X, 12.

Standard Materials

- Enclosure and Receptacle: cast copperfree (4/10 of 1% max.) aluminum

Standard Finish

- Corrosion resistant grey epoxy paint



Options

- One normally opened, one normally closed auxiliary switch, add suffix **-AUX**.
- Lockable cover latch add suffix **-DL**.
- LED Indicator Lights: one light indicates power unit and other indicates switch is in ON position add suffix **-IL**.
- Supplied with viewing window add suffix **-W**.

CEC Certifications and Compliances

- CSA Standard: C22.2 No. 4, C22.2 No. 5, C22.2 No. 182.1
- CSA Certified: 048391

Related Products


- Uses standard Powertite® ACP or CPH plugs for wide acceptability.

UL Classified for use with Crouse-Hinds Arktite® plugs. Arktite is a registered trademark of Cooper Crouse-Hinds.
☞ Certified to meet the Canadian Electrical Code (CEC) only.

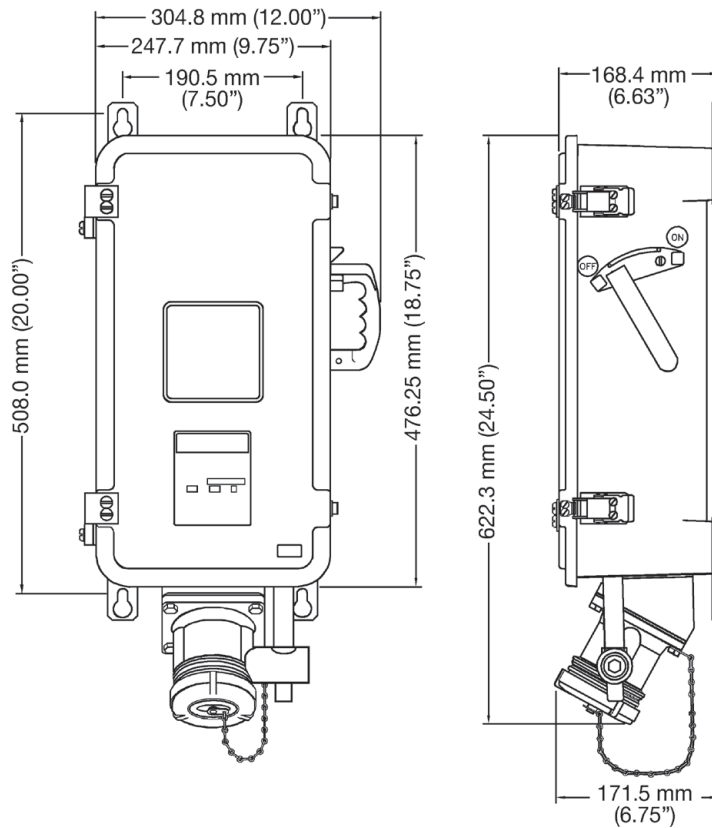
IDSR Interlocked Switched Receptacles

For use in CEC governed locations. With Breaker or Disconnect Switch, Fusible or Non-fusible. Weatherproof. **Watertight.** For use with Powertite® ACP plugs.

CEC:
NEMA 3, 3R, 4, 4X, 5, 12
 (30 Amp receptacle is not available as TYPE 4X)

	Amp.	Fusing •	HP at 600 Vac 3-Phase †	Without Viewing Window	With Viewing Window	Aux. Contacts ‡ 1 or 2 NO/NC		Mating Plug
	30	Fused	7.5/20	IDSR3034	IDSR3034-W	WS30AUX1	WS30AUX2	ACP3034BC
	60	Fused	15/50	IDSR6034	IDSR6034-W	WS60AUX1	WS60AUX2	ACP6034BC
	100	Fused	30/70	IDSR1034	IDSR1034-W	WS100AUX1	WS100AUX2	ACP1034CD
	30	Non-Fused	25	IDSR3034-NF	IDSR3034-NF-W	WS30AUX1	WS30AUX2	ACP3034BC
	60	Non-Fused	60	IDSR6034-NF	IDSR6034-NF-W	WS60AUX1	WS60AUX2	ACP6034BC
	100	Non-Fused	75	IDSR1034-NF	IDSR1034-NF-W	WS100AUX1	WS100AUX2	ACP1034CD

Dimensions in Millimeters (Inches)



• Fuses not included.
 ‡ Auxiliary contacts ordered separately for field installation.
 † STD/MAX ratings based on type of fuse used eg. For IDSR 3034 – rated at 7.5 HP with standard fuse or rated at 20 HP with time delay fuse.
 * Certified to meet the Canadian Electrical Code (CEC) only.