

# Grip-Tite® Strain Relief Connectors

## Type SR

### Straight

#### Use:

To secure and seal cords or cables entering enclosures or raceways.

#### Features:

- Grip-tite style - 2-piece internal design features a nylon gripper for exceptional pullout protection and a neoprene grommet for a moisture-proof seal (up to 1" dia. cord range).
- Dual-grommet style - for over 1" dia. cord range. Removable insert allows for wider range of cable diameters within single fitting
- Simple installation, cord can be installed without disassembly of the fitting
- Liquidtight/Oiltight/Raintight
- UL Listed NEMA 4, 6 & 12 when installed into a NPT threaded entry or UL Listed conduit hub (sizes 1½" and larger require thread sealant).
- Rated at 90°C
- Suitable for NEMA 4 enclosures and other wet locations
- Male tapered thread NPT
- Slim diameter profile allows close spacing between connectors
- Furnished complete with sealing ring and locknut
- Colored gripper allows for easy identification

#### Material:

Malleable Iron Body & Gland Nut, Nylon Gripper, Neoprene Grommet, PVC or Buna-N Sealing Ring, Steel Locknut

#### Finish:

Zinc Plated on Body, Gland Nut and Locknut

#### Optional Finish:

Mechanical Galvanized  
Contact your local representative

#### Third Party Certification:



UL Listed: E-11857



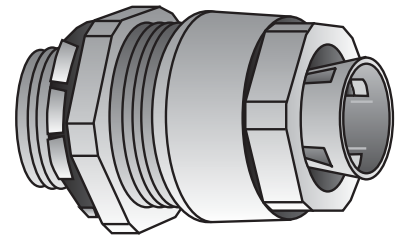
CSA Certified: 009795

#### Applicable Third Party Standards:

UL Standard: 514B  
CSA Standard: C22.2 No. 18  
Fed. Spec: W-F-406E

#### Notes:

Suitable for use in Hazardous Locations under NEC Sec. 501-4(b), 502-4(a) (2), and 503-3(a). For Class I, Div. 2, Class II, Div. 1, 2, and Class III, Div. 1, 2.



Type SR-50-250

Catalog Number	Dimensions in Inches			Style	Color	Dimensions in Inches		
	Cord Range Min.	Cord Range Max.	Hub Size			Throat I.D.	Body Length	Max Dia.
SR-50-250	.156	.250	½	Grip-Tite	Red	.53	1¼	1⅝
SR-50-375	.250	.375	½		White	.53	1¼	1⅝
SR-50-500	.375	.500	½		Blue	.53	1¼	1⅝
•SR-50-625	.500	.625	½		Brown	•.61	1¼	1⅝
SR-75-250	.156	.250	¾	Grip-Tite	Red	.53	1¼	1⅝
SR-75-375	.250	.375	¾		White	.53	1¼	1⅝
SR-75-500	.375	.500	¾		Blue	.53	1¼	1⅝
SR-75-625	.500	.625	¾		Brown	.75	1¼	1⅝
SR-75-750	.625	.750	¾		Yellow	.78	1¼	1½
•SR-75-875	.750	.875	¾	Purple	•.81	1¼	1¼	
SR-100-750	.625	.750	1	Grip-Tite	Yellow	.78	1¼	1¼
SR-100-875	.750	.875	1		Purple	.96	1¼	1¼
SR-100-1000	.875	1.000	1		Grey	1.05	1¼	1⅝
SR-125-1000	.875	1.000	1¼		Grey	1.20	1⅝	2⅝
•SR-100-1125	1.000	1.125	1	Single Grommet		•1.05	1⅝	1½
•SR-125-1375	1.000	1.375	1¼			•1.35	1⅝	2½
SR-150-1375	1.000	1.375	1½	Dual Grommet		1.38	1⅝	2½
•SR-150-1750	1.375	1.750	1½			•1.53	1⅝	3
SR-200-1750	1.375	1.750	2			1.59	2⅝	3
SR-250-2000	1.625	2.000	2½			2.50	2½	4
SR-250-2250	1.875	2.250	2½			2.50	2½	4
SR-300-2250	1.875	2.250	3			2.50	2½	4½
SR-300-2500	2.125	2.500	3		2.50	2½	4½	

•Remove enough jacket to get conductors through throat I.D.

# Grip-Tite® Strain Relief Connectors

## Type SR

90°

### Use:

To secure and seal cords or cables entering enclosures or raceways.

### Features:

- Grip-tite style - 2-piece internal design features a nylon gripper for exceptional pullout protection and a neoprene grommet for a moisture-proof seal (up to 1" dia. cord range).
- Dual-grommet style - for over 1" dia. cord range. Removable insert allows for wider range of cable diameters within single fitting
- Simple installation, cord can be installed without disassembly of the fitting
- Liquidtight/Oiltight/Raintight
- UL Listed NEMA 4, 6 & 12 when installed into a NPT threaded entry or UL Listed conduit hub.
- Rated at 90°C
- Suitable for NEMA 4 enclosures and other wet locations
- Male tapered thread NPT
- Slim diameter profile allows close spacing between connectors
- Furnished complete with sealing ring and locknut
- Colored gripper allows for easy identification

### Material:

Malleable Iron Body & Gland Nut, Nylon Gripper, Neoprene Grommet, PVC or Buna-N Sealing Ring, Steel Locknut

### Finish:

Zinc Plated on Body, Gland Nut and Locknut

### Optional Finish:

Mechanical Galvanized  
Contact your local representative.

### Third Party Certification:

 UL Listed: E-11857

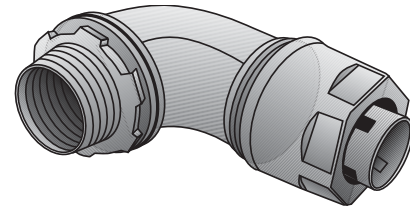
 CSA Certified: 009795

### Applicable Third Party Standards:

UL Standard: 514B  
CSA Standard: C22.2 No. 18  
Fed. Spec: W-F-406E

### Notes:

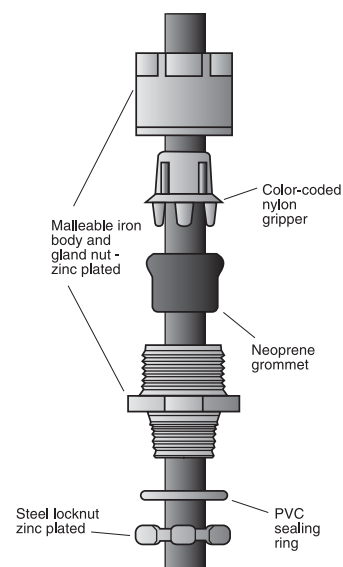
Suitable for use in Hazardous Locations under NEC Sec. 501-4(b), 502-4(a) (2), and 503-3(a). For Class I, Div. 2, Class II, Div. 1, 2, and Class III, Div. 1, 2.



Type SR-950-250

Catalog Number	Dimensions in Inches			Style	New Color	Dimensions in Inches			
	Cord Range		Hub Size			Throat I.D.	Body Length	Max Dia.	Turning Radius
SR-950-250	.156	.250	½	Grip-Tite	Red	.59	1⅞	1⅞	1⅞
SR-950-375	.250	.375	½		White	.59	1⅞	1⅞	1⅞
SR-950-500	.375	.500	½		Blue	.59	1⅞	1⅞	1⅞
•SR-950-625	.500	.625	½		Brown	•.59	1⅞	1⅞	1⅞
SR-975-250	.156	.250	¾	Grip-Tite	Red	.81	1⅞	1⅞	1⅞
SR-975-375	.250	.375	¾		White	.81	1⅞	1⅞	1⅞
SR-975-500	.375	.500	¾		Blue	.81	1⅞	1⅞	1⅞
SR-975-625	.500	.625	¾		Brown	.81	1⅞	1⅞	1⅞
SR-975-750	.625	.750	¾		Yellow	.81	1⅞	1½	2
•SR-975-875	.750	.875	¾	Purple	•.82	1⅞	1⅞	1⅞	
SR-9100-875	.750	.875	1	Grip-Tite	Purple	1.02	1⅞	1⅞	2
SR-9100-1000	.875	1.000	1		Grey	1.04	2½	1⅞	2
SR-9125-1000	.875	1.000	1¼	Grip-Tite	Grey	1.34	2⅞	1⅞	2⅞
•SR-9125-1375	1.000	1.375	1¼		Dual Grommet	•1.34	2⅞	1⅞	2⅞

•Remove enough jacket to get conductors through Throat I.D.



Strain Relief Installation

