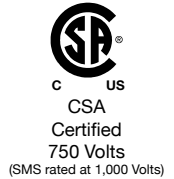


8340 Series Uni-Lock Lever-Action Connectors

STANDARD FEATURES

- Available only on SMS Connectors
- Unique connector back and D-style pins prevent arcing
- Longer set screws prevent barrel fall-through
- All-rubber connector wall not go out-of-round
- Engages mechanically - eliminates couplers seizing together
- Single-barrel pilot pins with two set screws
- Flexible ground pin
- Two grommets with O-ring seals
- Six-fingered female contact pin for positive contact
- Connectors are water and dust tight when engaged



APPLICATIONS

Mining

- Shuttle cars
- Cutting machines
- Distribution boxes
- Drills

Industry

- Large motors/test stands for checking motors
- Lockable hookup to large portable equipment
- Steel mills/power for locomotion equipment

Military

- Ship-to-shore power
- ### Railroad
- Car-to-car power

Uni-Lock Lever-Action Connector

3 Power / 1 Ground: 1 or 2 Pilots: 1000V 4X RATED

Maximum Cable AWG	Connector Rating AMPS	Cable Attachment		Panel Mount		Color	Protective Caps	
		Male	Female	Male	Female		Male	Female
8	75	8343-501 or 2	8343-401 or 2	8343-1601 or 2	8343-1201 or 2	Blue	3325656-201	3325656-101
4	125	8344-501 or 2	8344-401 or 2	8344-201 or 2	8344-101 or 2	Red	3325656-401	3325656-301
2	160	8345-501 or 2	8345-601 or 2	8345-1501 or 2	8345-1001 or 2	Black	3325656-601	3325656-501
2/0	225	8346-201 or 2	8346-101 or 2	8346-1301 or 2	8346-801 or 2	Black	3325656-801	3325656-701
4/0	325	8347-201 or 2	8347-101 or 2	8347-1301 or 2	8347-801 or 2	Black	3325656-1001	3325656-901

Part No.	Maximum Cable AWG	Connector Rating		Description	Colors
		Volts	Amps		
8348-301	400MCM	1000	500	Male Cable Attachable	} Black / Blue Green / Orange Red / White Yellow
8348-201	400MCM	1000	500	Female Cable	
8348-1001	400MCM	1000	500	Male Panel Mount	
8348-701	400MCM	1000	500	Female Panel Mount	

Protective Caps: Part No.
3325656-1201
3325656-1101
8348-8

Description
Female Cap to fit a Male Connector
Male Cap to fit a Female Connector
Pilot Short Circuiting Cap - for Female Panel Mount

Select grommet that adapts I.D. of sleeve (supplied on plug) to O.D. of cable being used.

Connector Sleeve No.	O.D. Cable Range (no grommet)	O.D. Cable Range Grommet No.	O.D. Cable Range Grommet No.	O.D. Cable Range Grommet No.	O.D. Cable Range Grommet No.	O.D. Cable Range Grommet No.
8343 No. 325298	1.500 → 1.250	1.250 → 1.000 No. 313305-1	1.000 → .750 No. 313305-2	.750 → .562 No. 313305-3	---	---
8344 No. 325292	1.813 → 1.562	1.562 → 1.312 No. 313327-1	1.312 → 1.062 No. 313327-2	1.062 → .812 No. 313327-3	.812 → .625 No. 313327-4	---
8345 No. 325286	2.000 → 1.812	1.812 → 1.625 No. 324044-1	1.625 → 1.437 No. 324044-2	1.437 → 1.250 No. 324044-3	1.250 → 1.062 No. 324044-4	---
8346 No. 325245	2.375 → 2.125	2.125 → 1.937 No. 324153-1	1.937 → 1.750 No. 324153-2	1.750 → 1.562 No. 324153-3	1.562 → 1.375 No. 324153-4	---
8347 No. 325271	2.937 → 2.625	2.625 → 2.312 No. 324089-1	2.312 → 2.000 No. 324089-2	2.000 → 1.812 No. 324089-3	---	---
8348 No. 325305	3.281 → 3.000	3.000 → 2.812 No. 324024-4	2.812 → 2.625 No. 324024-5	2.625 → 2.531 No. 324024-6	2.531 → 2.312 No. 324024-2	2.312 → 2.125 No. 324024-3

Mag Series Electrical Connectors



With pride we introduce a new series of electrical connectors to the mining and industrial markets.

FEATURES

Made of high-density rubber resulting in a more durable, longer lasting, and “user-friendly” connector. Amps designated by different colors.

Specifications

- 1000 volts
- 30/60/100 amps (color coded)
- Complete with two grommets
- 3 phase
- 1 ground
- 1 pilot



Virtually Indestructible!

Part No.	Cable	Amps	Description	Color
Mag30-1501	#8 3C/GGC	30	Female Panel Mount Insert	}
Mag30-1601	#8 3C/GGC	30	Male Panel Mount Insert	
Mag30-101	#8 3C/GGC	30	Female Panel Mount	}
Mag30-201	#8 3C/GGC	30	Male Panel Mount	
Mag30-401	#8 3C/GGC	30	Female Cable Attachable	}
Mag30-501	#8 3C/GGC	30	Male Cable Attachable	
Mag60-1501	#4 3C/GGC	60	Female Panel Mount Insert	}
Mag60-1601	#4 3C/GGC	60	Male Panel Mount Insert	
Mag60-101	#4 3C/GGC	60	Female Panel Mount	}
Mag60-201	#4 3C/GGC	60	Male Panel Mount	
Mag60-401	#4 3C/GGC	60	Female Cable Attachable	}
Mag60-501	#4 3C/GGC	60	Male Cable Attachable	
Mag100-1501	#1 3C/GGC	100	Female Panel Mount Insert	}
Mag100-1601	#1 3C/GGC	100	Male Panel Mount Insert	
Mag100-101	#1 3C/GGC	100	Female Panel Mount	}
Mag100-201	#1 3C/GGC	100	Male Panel Mount	
Mag100-401	#1 3C/GGC	100	Female Cable Attachable	}
Mag100-501	#1 3C/GGC	100	Male Cable Attachable	

Products for the Mining, Tunneling, and Industrial Markets

Electrical Products

Cable Hangers
 J-Hooks
 Cable Cutters (H.K. Porter)
 Cable Fault Locator and Tracers
 High Voltage Gloves
 Testing Plugs and Plug Repair
 Cable Grips (Kellems)
 Trolley Hardware (Phoenix)
 Ground Check and Fault Monitors:
 (AMR/Pemco/MCI)
 String-A-Lights
 Tie Wire
 Belt Monitoring (Ensign/AMR)
 Belt Switches (Conkie/Hawkeye)
 Limit Switches (Cutter-Hammer)
 Lighting Systems (SMC)
 Coax Connectors
 Vacuum Load Break Switches (SMC)
 Connectors:
 Woodhead/Burndy/T&B/3M/Amp/
 Panduit
 Low Voltage Connectors:
 MCI/SMS Uni-Lock/P.D.P./Ensign
 Victor

Electrical Cable

Bare Copper and Aluminum
 Trolley Wire
 Blasting Wire and Shot
 S.O. Cords
 Bore Hole Cable
 Armoured Cable
 Monitor and Sensor Cables
 Computer Cables
 Shuttle Car
 Continuous Miner Cable
 Shovel Cable
 Pump Cable
 Remote Drill Cord
 Jumper Cable
 Welding Cable
 Loaders-Cutters-Drills
 Locomotive Cable
 Longwall Cable
 Military Specifications
 Mine Power Feeder
 Traffic Signal
 Communication
 Building Wire
 Portable Control Cables
 Power Cable

Electrical Cable Manufacturers

BICC Cablec
 Larabee Powerflex
 Essex
 Royal
 Carol
 A.I.W.
 General
 Prestolite
 Service Wire

Cable Services

High and Low Voltage Reconditioned
 Coupler Installation
 Molded Pot Heads
 Stress Cones
 Jacket Patches
 Reinsulation
 Railbonds
 Cable Splicing

Splice Kits

Plymouth
 AMP
 3M
 RMS
 MPI
 RAYCHEM

Cable Repair Supplies

Plymouth - Tapes/Shielding Braid
 Okonite - Tape/Splicing Cement
 3M - Tape/Braid/Lugs
 Rice Shielding Braid
 Cable Jigs
 Molds
 Vulcanizers

Other Fine Products And Services

Exide Batteries
 Douglas Batteries
 Sounding Rods
 Mine Sealant
 Mine Ventilation Products
 Mine Battery Repair
 Battery Chargers
 Pumps
 Cable Guards

SMS OFFICE LOCATIONS

Sales & Technical Support

USA: 618-937-8333
 Fax: 847-656-5094

Corporate Office

PO Box 188,
 West Frankfort, IL 62896
 Tel: 618-932-2151
 Fax: 618-937-2715

Indiana

PO Box 172,
 Petersburg, IN 47567
 Tel: 812-354-9104
 Fax: 812-354-2176

Kentucky

2180 Highway 70 West,
 Central City, KY 42330
 Tel: 270-754-9911
 Fax: 270-754-9894

CANADIAN OFFICE • TORONTO

Sales & Technical Support

Canada: 416-710-0965
 Fax: 847-656-5094

WWW.SMSCONNECTORS.COM



Lever Action Jumper Assembly

Lever action jumper assembly provides both old style and new style connectors thus eliminating costly change-over from brass connector to new, all-rubber connector.

Standard Features

- **Unique molded assembly** - free of maintenance
- Connectors are water - and dust-tight when engaged
- Engages mechanically - eliminates couplers seizing together
- Manganese bronze connector provides immediate connect
- Two O-ring seals in manganese bronze casting
- All rubber connector - will not go out of round
- Flexible ground pin
- Silver-plated contact pins
- Six-fingered female contact pin for positive contact with male pin



Registration
No. LR94115-2

(The above features are available only on SMS Connectors)

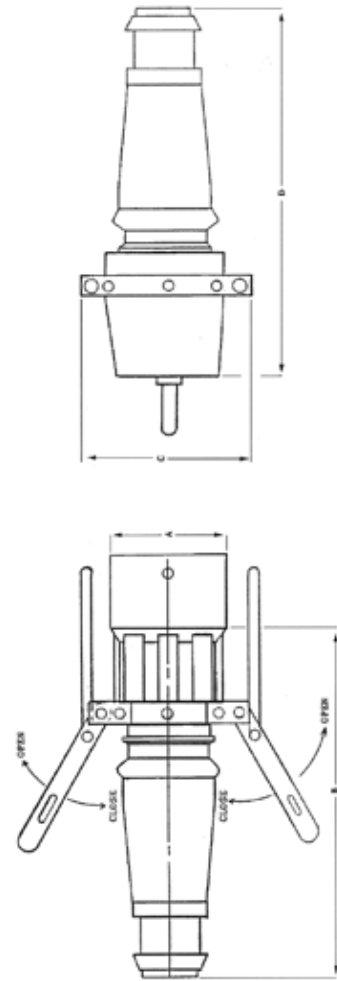
PART NUMBERS

Maximum Cable AWG	Connector Rating (750V) AMP	Unilock/Quicklock Male Series (old style)	SMS Jumper Assembly (connects)	Lever Action Female Series (new style)
8	75	8343-5M or 16M	← A43-FM →	8343-401F or 1201F
4	125	8344-5M or 2M	← A44-FM →	8344-401F or 101F
2	160	8345-5M or 15M	← A45-FM →	8345-601F or 1001F
2/0	225	8346-2M or 13M	← A46-FM →	8346-101F or 801F
4/0	325	8347-2M or 13M	← A47-FM →	8347-101F or 801F
400MCM	500	8348-3M or 10M	← A48-FM →	8348-201F or 701F
Maximum Cable AWG	Connector Rating (750V) AMP	Unilock/Quicklock Feale Series (old style)	SMS Jumper Assembly (connects)	Lever Action Male Series (new style)
8	75	8343-4F or 12F	← A43-MF →	8343-501M or 1601M
4	125	8344-4F or 1F	← A44-MF →	8344-501M or 201M
2	160	8345-6F or 10F	← A45-MF →	8345-501F or 1501M
2/0	225	8346-1F or 8F	← A46-MF →	8346-201M or 1301M
4/0	325	8347-1F or 8F	← A47-MF →	8347-201M or 1301M
400MCM	500	8348-1F or 7F	← A48-MF →	8348-301M or 1001M

Uni-Lock Lever-Action Connectors



With Adobe Acrobat, select **View > Rotate View** (from the top menu) to rotate pages 90°.



These are connector ratings only. Operating ratings must be based on cable capacity.



Max. Cable AWG	Connector Rating (750V) AMP	Cable Attachment		Dimensions				Panel Mount				Dimensions					
		Male	Female	A	B	C	D	Male	Female	A	B	C	D	E	F		
Power and 1 Ground with single pilot contact																	
8	75	8343-501	8343-401	Blue	4 1/2	14 1/2	6	13 3/4	8343-1601	8343-1201	2 3/8	3 3/8	2 3/4	9/32	5	4	
4	125	8344-501	8344-401	Red	4 1/2	14 1/2	6	13 3/4	8344-201	8344-101	2 5/8	3 5/8	2 7/8	9/32	5	4 1/2	
2	160	8345-501	8345-601	Black	4 1/2	14 1/2	6	13 3/4	8345-1501	8345-1001	2 15/16	4	3 5/16	9/32	5 1/8	4 15/16	
2/0	225	8346-201	8346-101	Black	4 7/8	14	6	14 1/4	8346-1301	8346-801	3 3/8	4 1/2	3 9/16	11/32	6 1/4	6	
4/0	325	8347-201	8347-101	Black	5	20	6 1/2	20	8347-1301	8347-801	4 1/2	6	4 13/16	13/32	6 1/4	6	
400MCM	500	8348-301	8348-201	Black	6 1/2	21 1/4	10 3/4	25 3/4	8348-1001	8348-701	5	7 1/4	5 7/8	17/32	8 5/8	6 1/2	
3 Power and 1 Ground with 2 pilot contacts																	
8	75	8343-502	8343-402	Blue	4 1/2	14 1/2	6	13 3/4	8343-1602	8343-1202	2 3/8	3 3/8	2 3/4	9/32	5	4	
4	125	8344-502	8344-402	Red	4 1/2	14 1/2	6	13 3/4	8344-202	8344-102	2 5/8	3 5/8	2 7/8	9/32	5	4 1/2	
2	160	8345-502	8345-602	Black	4 1/2	14 1/2	6	13 3/4	8345-1502	8345-1002	2 15/16	4	3 5/16	9/32	5 1/8	4 15/16	
2/0	225	8346-202	8346-102	Black	4 7/8	14	6	14 1/4	8346-1302	8346-802	3 3/8	4 1/2	3 9/16	11/32	5 5/15	4 15/16	
4/0	325	8347-201	8347-102	Black	5	20	6 1/2	20	8347-1306	8347-802	4 1/2	6	4 13/16	13/32	6 1/4	6	
3 Power and 1 Ground with 3 pilot contacts																	
8	75	8343-503	8343-403	Blue	4 1/2	14 1/2	6	13 3/4	8343-1603	8343-1203	2 3/8	3 3/8	2 3/4	9/32	5	4	
4	125	8344-503	8344-403	Red	4 1/2	14 1/2	6	13 3/4	8344-203	8344-103	2 5/8	3 5/8	2 7/8	9/32	5	4 1/2	
2	160	8345-503	8345-603	Black	4 1/2	14 1/2	6	13 3/4	8345-1503	8345-1003	2 15/16	4	3 5/16	9/32	5 1/8	4 15/16	
2/0	225	8346-203	8346-103	Black	4 7/8	14	6	14 1/4	8346-1303	8346-803	3 3/8	4 1/2	3 9/16	11/32	5 5/15	5 1/16	
4/0	325	8347-203	8347-103	Black	5	20	6 1/2	20	8347-1303	8347-803	4 1/2	6	4 13/16	13/32	6 1/4	6	

Uni-Lock Lever-Action Protective Caps, Panel Mounts & 45° Mounts



Pro caps with Stainless Steel Turn Buckles, ADD SSTB to the part number indicated

Protective Caps		Panel Mounts		Panel Mount Shells		Panel Mount Inserts		45° Mount
Male	Female	Male	Female	Male	Female	Male	Female	
3 Power and 1 Ground with single pilot contact								
3325656-201	3325656-101	8343-1601	8343-1201	A-324289LA	324088LA	8343-601	8343-101	4543
3325656-401	3325656-301	8344-201	8344-101	A-324063LA	324063LA	8344-1601	8344-1501	4544
3325656-601	3325656-501	8345-1501	8345-1001	A-324119LA	324093LA	8345-201	8345-101	4545
3325656-801	3325656-701	8346-1301	8346-801	A-324232LA	324059LA	8346-1601	8346-1501	4546
3325656-1001	3325656-901	8347-1301	8347-801	A-324166LA	324094LA	8347-1601	8347-1501	N/A
3325656-1201	3325656-1101	8348-1001	8348-201	324095LA	324065LA	8348-401	8348-501	N/A
3 Power and 1 Ground with 2 pilot contacts								
3325656-201	3325656-101	8343-1602	8343-1202	A-324289LA	324088LA	8343-602	8343-102	4543
3325656-401	3325656-301	8344-202	8344-102	A-324063LA	324063LA	8344-1602	8344-1502	4544
3325656-601	3325656-501	8345-1502	8345-1002	A-324119LA	324093LA	8345-202	8345-1012	4545
3325656-801	3325656-701	8346-1302	8346-802	A-324232LA	324059LA	8346-1602	8346-1502	4546
3325656-1001	3325656-901	8347-1306	8347-802	A-324166LA	324094LA	8347-1602	8347-1502	N/A
3325656-1201	3325656-1101	8348-1002	8348-202	324095LA	324065LA	8348-402	8348-502	N/A
3 Power and 1 Ground with 3 pilot contacts								
3325656-201	3325656-101	8343-1603	8343-1203	A-324289LA	324088LA	8343-603	8343-103	4543
3325656-401	3325656-301	8344-203	8344-103	A-324063LA	324063LA	8344-1603	8344-1503	4544
3325656-601	3325656-501	8345-1503	8345-1003	A-324119LA	324093LA	8345-203	8345-103	4545
3325656-801	3325656-701	8346-1303	8346-803	A-324232LA	324059LA	8346-1603	8346-1503	4546
3325656-1001	3325656-901	8347-1303	8347-803	A-324166LA	324094LA	8347-1603	8347-1503	N/A
3325656-1201	3325656-1101	8348-1003	8348-203	324095LA	324065LA	8348-403	8348-503	N/A

These are connector ratings only.

Operating ratings must be based on cable capacity.

Uni-Lock Connectors 3/4 Turn Lock



750 Volts

STANDARD FEATURES

- Attachable to customer's cable
- Available with/without pilot pins
- Full line of plugs and receptacles
- All parts thoroughly insulated and/or grounded
- Lockable against accidental disconnect
- Water-tight
- Meet mine Health and Safety Standards

PARAMETERS

- Three or four pins with/without pilot contacts
- Number 8 through 500 MCM
- Up to 1000 volts/625 amps

APPLICATIONS

MINING

- Shuttle Cars
- Cutting Machines
- Drills
- Distribution boxes

INDUSTRY

- Large motors-test stands for checking motors
- Locable hookup for large portable equipment
- Steel Mills-provide power for locomotion equipment

MILITARY

- Provide ship-to-shore power

RAILROAD

- Carry power from car-to-car



Male
Panel Mount



Female
Panel Mount



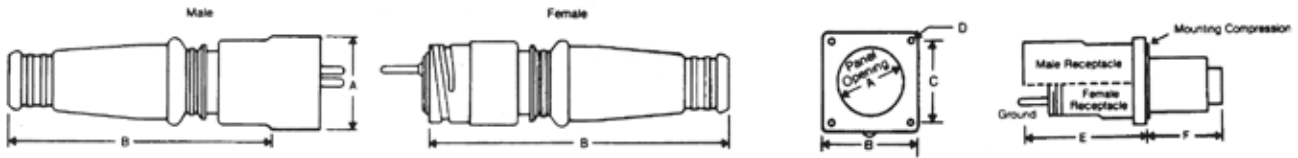
Male
Cable Attachable



Female
Cable Attachable



Uni-Lock Connectors



Max. Cable AWG	Connector Rating (750V) AMP	Cable Attachment		Dimensions		Panel Mount		Dimensions					
		Male	Female	A	B	Male	Female	A	B	C	D	E	F

2 Power and 1 Ground with pilot contacts

8	75	8329-2	8329-1	3 5/8	11 11/16	8329-15	8329-10	2 3/8	3 3/8	2 3/4	9/32	5	4
4	125	8330-3	8330-4	3 5/8	11 13/16	8330-16	8330-12	2 3/8	3 3/8	2 3/4	9/32	5	4
2	160	8331-1	8331-4	3 5/8	13 1/16	8331-15	8331-11	2 5/8	3 5/8	2 7/8	9/32	5	4 1/2
2/0	225	8332-1	8332-8	4 1/16	14 1/16	8332-16	8332-13	2 15/16	4	3 5/16	9/32	5 1/8	4 15/16
4/0	325	8333-4	8333-3	4 5/8	13 15/16	8331-15	8331-1	3 3/8	4 1/2	3 9/16	11/32	5 5/16	5 1/16
400MCM	500	8334-2	8334-1	6	19 7/16	8334-15	8334-10	4 1/2	6	4 13/16	13/32	6 1/4	6
500MCM	625	8335-1	8335-2	6 3/4	22 1/8	8335-8	8335-4	5	7 1/4	5 7/8	17/32	8 5/8	6 1/2

3 Power and 1 Ground with no pilot contacts

8	75	8336-3	8336-2	3 5/8	11 13/16	8336-13	8336-8	2 3/8	3 3/8	2 3/4	9/32	5	4
4	125	8337-3	8337-4	3 5/8	11 13/16	8337-14	8337-11	2 3/8	3 3/8	2 3/4	9/32	5	4
2	160	8338-2	8338-3	3 7/8	13 1/16	8338-13	8338-8	2 5/8	3 5/8	2 7/8	9/32	5	4 1/2
2/0	225	8339-1	8339-2	4 1/16	14 1/16	8339-13	8339-3	2 15/16	4	3 5/16	9/32	5 1/8	4 15/16
4/0	325	8340-5	8340-4	4 5/8	13 13/16	8340-2	8340-10	3 3/8	4 1/2	3 9/16	11/32	5 5/15	5 1/16
300MCM	425	8341-2	8341-1	6	19 7/16	8341-13	8341-9	4 1/2	6	4 13/16	13/32	6 1/4	6

3 Power and 1 Ground with 2 pilot contacts

8	75	8343-5	8343-4	3 5/8	11 13/16	8343-16	8343-12	2 3/8	3 3/8	2 3/4	9/32	5	4
4	125	8344-5	8344-4	3 7/8	13	8344-2	8344-1	2 3/8	3 5/8	2 7/8	9/32	5	4 1/2
2	160	8345-5	8345-6	4 3/16	14 1/16	8345-15	8345-10	2 15/16	4	3 5/16	9/32	5 1/8	4 15/16
2/0	225	8346-2	8346-1	4 5/8	13 13/16	8346-13	8346-8	3 3/8	4 1/2	3 9/16	11/32	5 5/16	5 1/16
4/0	325	8347-2	8347-1	6	19 9/16	8347-13	8347-8	4 1/2	6	4 13/16	13/32	6 1/4	6
400MCM	500	8348-3	8348-2	6 3/4	22 3/8	8348-10	8348-7	5	7 1/4	5 7/8	17/32	8 5/8	6 1/2

These are connector ratings only.

Operating ratings must be based on cable capacity.

Uni-Lock Protective Caps & Panel Mounts



Protective Cape		Panel Mount Shells		Panel Mount Inserts		Pilot Short Circuiting Cap For Female Receptacle
Male	Female	Male	Female	Male	Female	
2 power and 1 ground with pilot contacts						
3325656-2	3325656-1	A-324289	324088	8329-4	8329-5	8329-3
3325656-2	3325656-1	A-324289	324088	8330-5	8330-6	8330-7
3325656-4	3325656-3	A-324289	324063	8331-5	8331-3	8331-6
3325656-6	3325656-5	A-324119	324093	8332-7	8332-5	8332-9
3325656-8	3325656-7	A-324232	324088	8333-6	8333-5	8333-12
3325656-10	3325656-9	A-324166	324094	8334-3	8334-4	8334-5
3325656-12	3325656-11	A-324095	324065	8355-11	8355-10	8335-6
3 power and 1 ground with no pilot contacts						
3325656-2	3325656-1	A-324289	324088	8336-4	8336-1	
3325656-2	3325656-1	A-324289	324088	8337-6	8337-7	
3325656-4	3325656-3	A-324289	324063	8338-4	8338-1	
3325656-6	3325656-5	A-324119	324093	8339-6	8339-5	
3325656-8	3325656-7	A-324232	324088	8340-3	8340-6	
3325656-10	3325656-9	A-324166	324094	8341-3	8341-4	
3 conductor and 1 ground with 2 pilot contacts						
3325656-2	3325656-1	A-324289	324088	8343-6	8343-1	8343-7
3325656-4	3325656-3	A-324357	324063	8344-16	8344-15	8344-6
3325656-6	3325656-5	A-324119	324093	8345-2	8345-1	8345-3
3325656-8	3325656-7	A-324232	324059	8346-16	8346-15	8346-3
3325656-10	3325656-9	A-324116	324094	8347-16	8347-15	8347-3
3325656-12	3325656-11	324095	324065	8348-4	8348-5	8348-8