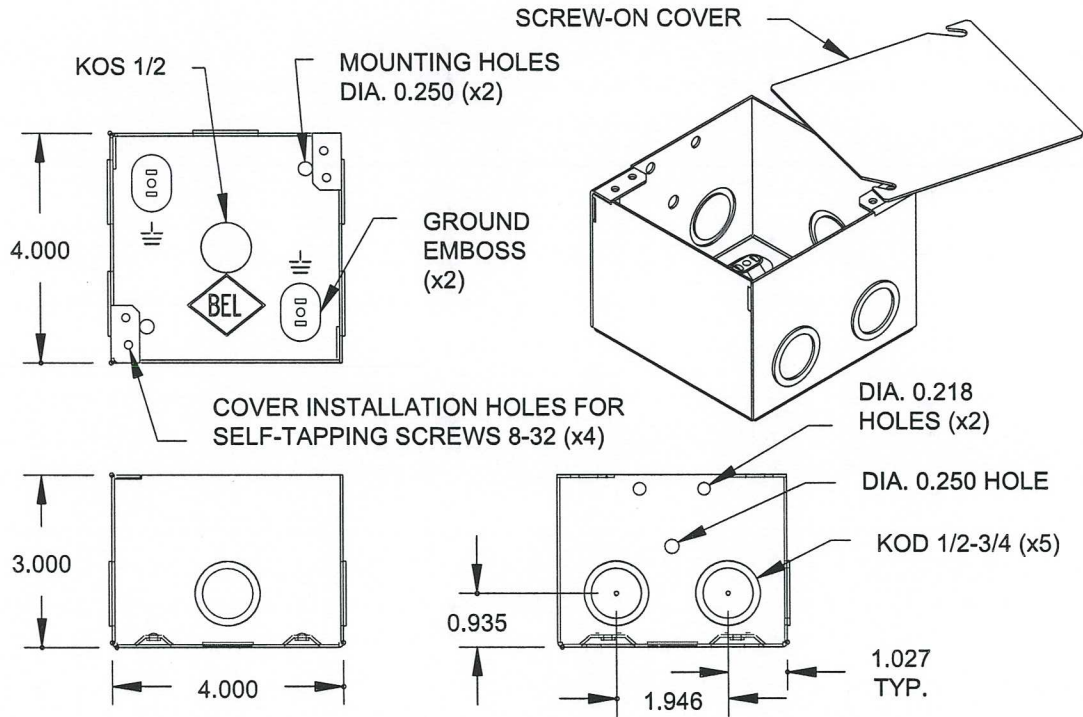




DB Series

EEMAC / NEMA 1 Screw Cover Boxes



TECHNICAL READOUT

Catalog No.	Dimensions (box)			Weight lbs
	A	B	C	
DB443	4	4	3	1

Application:

Utility junction box

Construction:

- 18 steel gauge
- ANSI/ASA61 grey polyester textured powder coating inside out
- Cover galv. steel, natural finish
- With knockouts (DUKO/DKO) or without (D)
- Mounting holes on back
- 2 grounding emboss
- Grounding screw 8-32 installed
- D Series

Standards:

- CSA certified 150359
- UL listed E109311

