

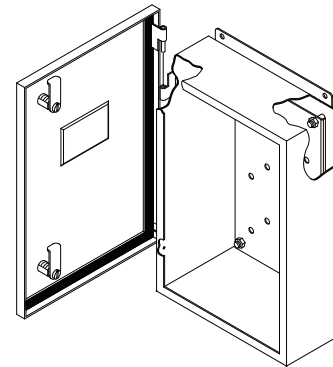


**TECHNICAL READOUT**

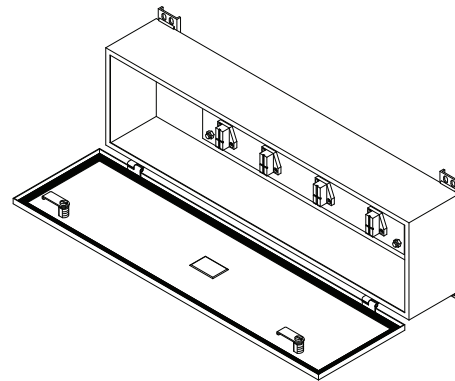
| Catalog No. |        | Grounding Kit (Optional) | Enclosure |    |   | Amps | Weight lbs. |
|-------------|--------|--------------------------|-----------|----|---|------|-------------|
| 3 wires     | 4wires |                          | A         | B  | C |      |             |
| FT273       | FT274  | TGR200                   | 24        | 6  | 5 | 70   | 17          |
| FT373       | FT374  | TGR200                   | 36        | 6  | 5 | 70   | 23          |
| FT473       | FT474  | TGR200                   | 48        | 6  | 5 | 70   | 28          |
| FT2103      | FT2104 | TGR200                   | 24        | 6  | 5 | 125  | 17          |
| FT3103      | FT3104 | TGR200                   | 36        | 6  | 5 | 125  | 23          |
| FT4103      | FT4104 | TGR200                   | 48        | 6  | 5 | 125  | 28          |
| FT6103      | FT6104 | TGR200                   | 72        | 10 | 6 | 125  | 75          |
| FT2203      |        | TGR200                   | 24        | 8  | 5 | 225  | 21          |
| FT3203      | FT3204 | TGR200                   | 36        | 10 | 6 | 225  | 43          |
| FT4203      | FT4204 | TGR200                   | 48        | 10 | 6 | 225  | 55          |
| FT5203      | FT5204 | TGR200                   | 60        | 10 | 6 | 225  | 64          |
| FT6203      | FT6204 | TGR200                   | 72        | 10 | 6 | 225  | 75          |
| FT3403      |        | TGR400                   | 36        | 10 | 6 | 400  | 43          |
| FT4403      | FT4404 | TGR400                   | 48        | 10 | 6 | 400  | 55          |
| FT5403      | FT5404 | TGR400                   | 60        | 10 | 6 | 400  | 64          |
| FT6403      | FT6404 | TGR400                   | 72        | 10 | 6 | 400  | 75          |
| FT4603      | FT4604 | TGR600                   | 48        | 10 | 6 | 600  | 55          |
| FT5603      | FT5604 | TGR600                   | 60        | 10 | 6 | 600  | 64          |
| FT6603      | FT6604 | TGR600                   | 72        | 10 | 6 | 600  | 75          |

**Splitter Boxes**

|       |       |        |    |    |   |     |    |
|-------|-------|--------|----|----|---|-----|----|
| FB73  | FB74  | BGR200 | 12 | 10 | 5 | 70  | 11 |
| FB103 | FB104 | BGR200 | 12 | 10 | 5 | 125 | 11 |
| FB203 | FB204 | BGR200 | 18 | 12 | 5 | 225 | 23 |
| FB403 | FB404 | BGR400 | 24 | 17 | 6 | 400 | 47 |
| FB603 | FB604 | BGR600 | 30 | 24 | 7 | 600 | 80 |



INSIDE BLOCKS NOT SHOWN



**Application:**

Type 4,12 enclosure designed for indoor/outdoor distribution (600V maximum, Cu-Al).

**Construction:**

- 16 gauge steel
- Factory installed splitter blocks on 14 gauge mounting panel
- Gasketed cover secured with 1/4 turn latches
- Continuously welded & ground smooth seams
- ANSI/ASA61 grey polyester - epoxy textured powder coating inside out

**Also Available:**

- Grounding kit
- Aluminium, SS, galvanized steel
- Special finishes & sizes

**Standards:**

- CSA certified 150359

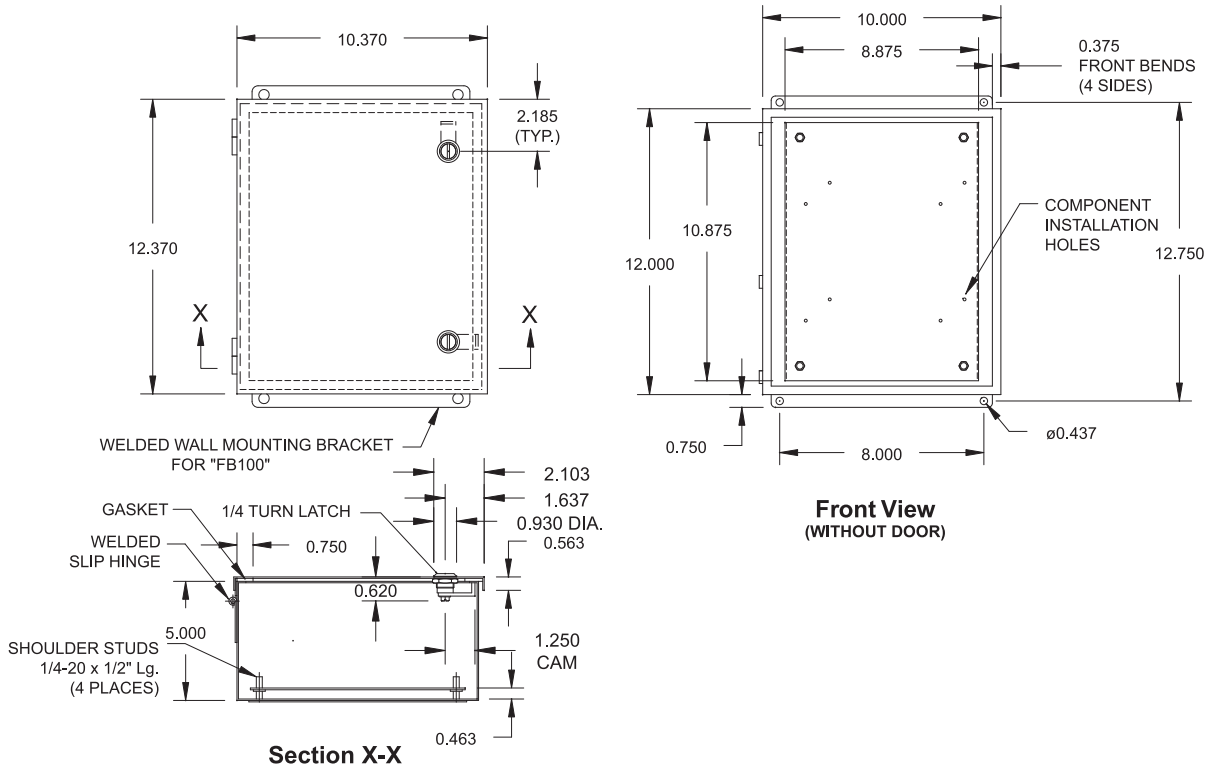




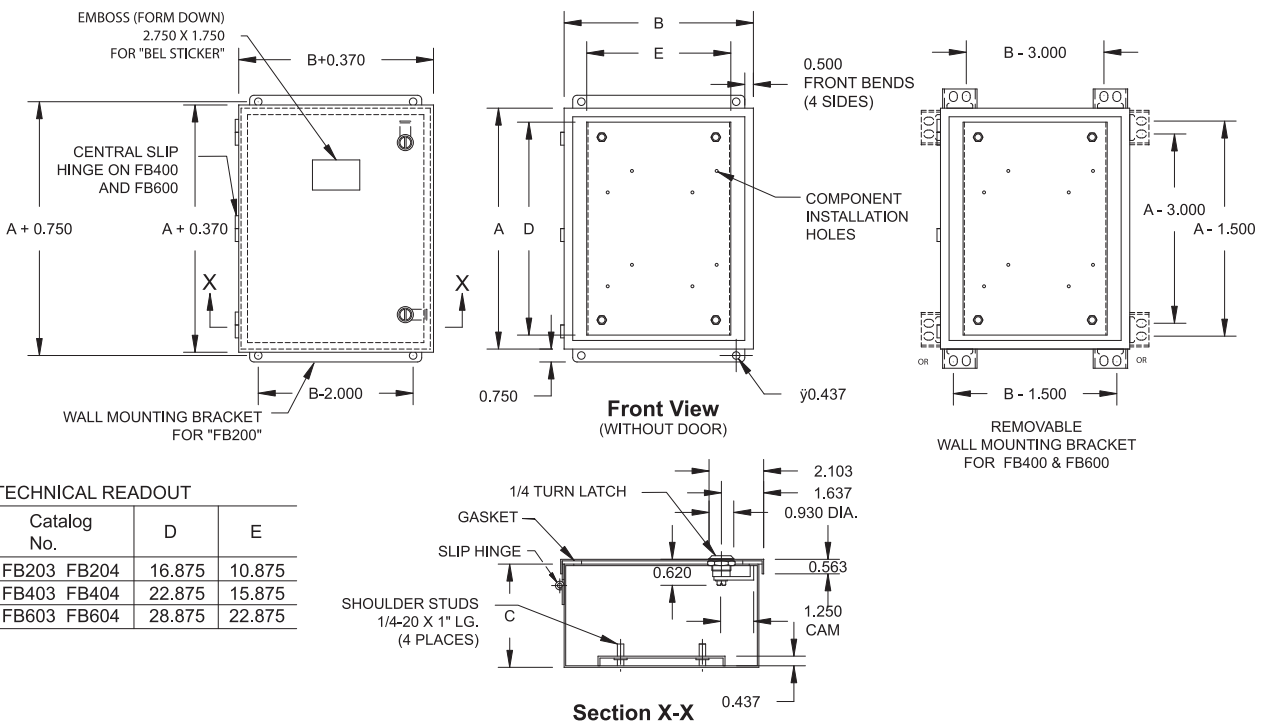
# FB Series

# EEMAC / NEMA 4,12 Splitter and Boxes

## Model FB70 and FB100



## Model FB200, FB400 and FB600



**TECHNICAL READOUT**

| Catalog No. | D      | E      |
|-------------|--------|--------|
| FB203 FB204 | 16.875 | 10.875 |
| FB403 FB404 | 22.875 | 15.875 |
| FB603 FB604 | 28.875 | 22.875 |