

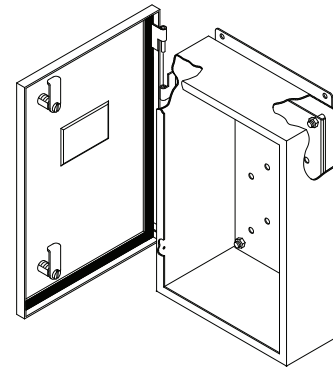


**TECHNICAL READOUT**

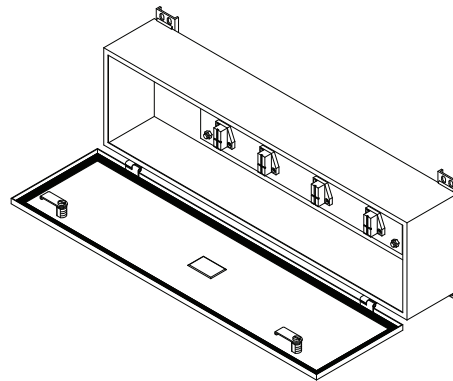
Catalog No.		Grounding Kit (Optional)	Enclosure			Amps	Weight lbs.
3 wires	4wires		A	B	C		
FT273	FT274	TGR200	24	6	5	70	17
FT373	FT374	TGR200	36	6	5	70	23
FT473	FT474	TGR200	48	6	5	70	28
FT2103	FT2104	TGR200	24	6	5	125	17
FT3103	FT3104	TGR200	36	6	5	125	23
FT4103	FT4104	TGR200	48	6	5	125	28
FT6103	FT6104	TGR200	72	10	6	125	75
FT2203		TGR200	24	8	5	225	21
FT3203	FT3204	TGR200	36	10	6	225	43
FT4203	FT4204	TGR200	48	10	6	225	55
FT5203	FT5204	TGR200	60	10	6	225	64
FT6203	FT6204	TGR200	72	10	6	225	75
FT3403		TGR400	36	10	6	400	43
FT4403	FT4404	TGR400	48	10	6	400	55
FT5403	FT5404	TGR400	60	10	6	400	64
FT6403	FT6404	TGR400	72	10	6	400	75
FT4603	FT4604	TGR600	48	10	6	600	55
FT5603	FT5604	TGR600	60	10	6	600	64
FT6603	FT6604	TGR600	72	10	6	600	75

**Splitter Boxes**

FB73	FB74	BGR200	12	10	5	70	11
FB103	FB104	BGR200	12	10	5	125	11
FB203	FB204	BGR200	18	12	5	225	23
FB403	FB404	BGR400	24	17	6	400	47
FB603	FB604	BGR600	30	24	7	600	80



INSIDE BLOCKS NOT SHOWN



**Application:**

Type 4,12 enclosure designed for indoor/outdoor distribution (600V maximum, Cu-Al).

**Construction:**

- 16 gauge steel
- Factory installed splitter blocks on 14 gauge mounting panel
- Gasketed cover secured with 1/4 turn latches
- Continuously welded & ground smooth seams
- ANSI/ASA61 grey polyester - epoxy textured powder coating inside out

**Also Available:**

- Grounding kit
- Aluminium, SS, galvanized steel
- Special finishes & sizes

**Standards:**

- CSA certified 150359

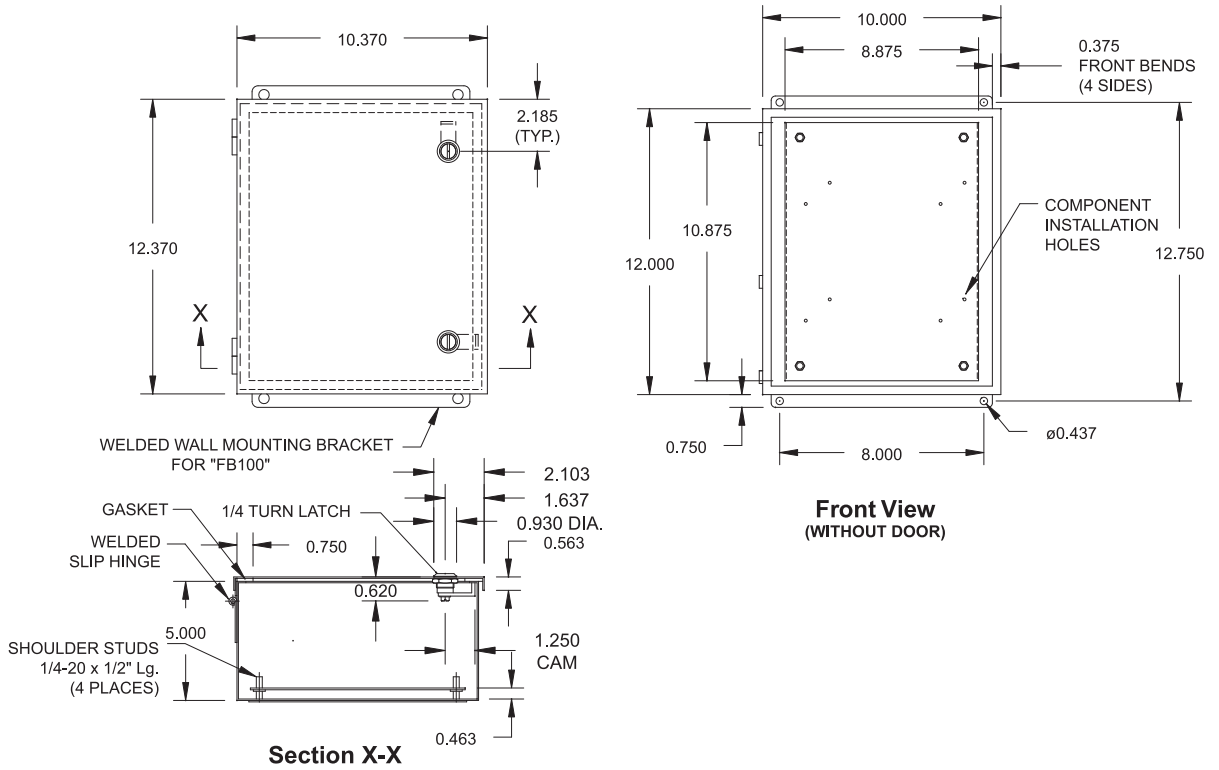




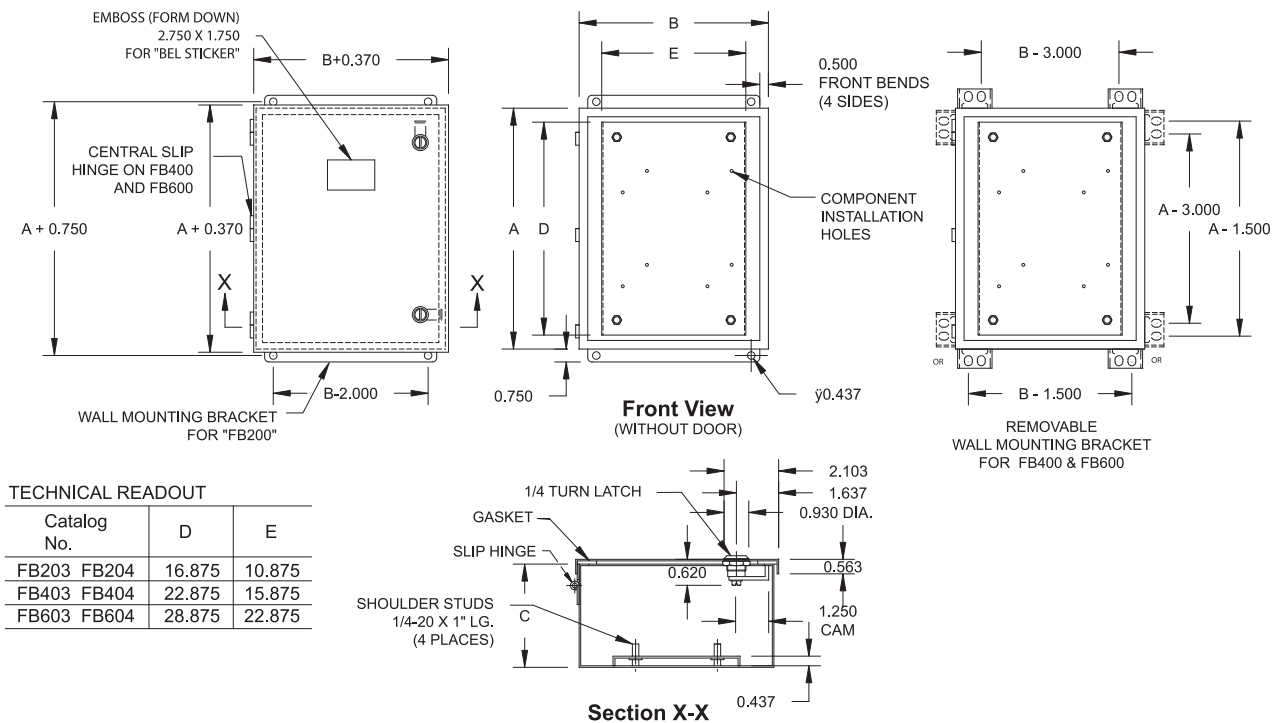
# FB Series

# EEMAC / NEMA 4,12 Splitter and Boxes

## Model FB70 and FB100



## Model FB200, FB400 and FB600



### TECHNICAL READOUT

Catalog No.	D	E
FB203 FB204	16.875	10.875
FB403 FB404	22.875	15.875
FB603 FB604	28.875	22.875