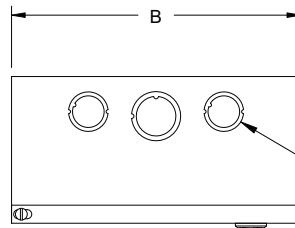




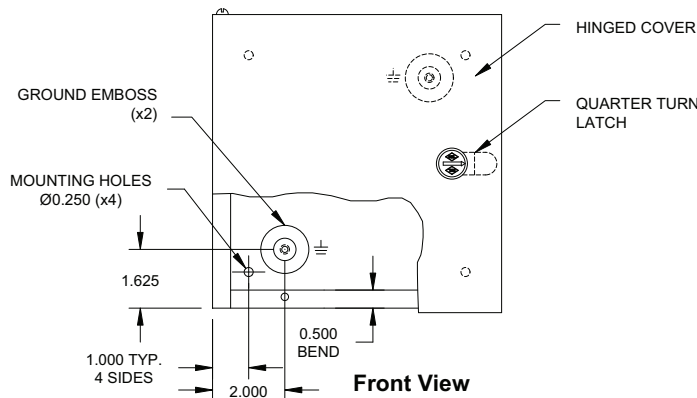
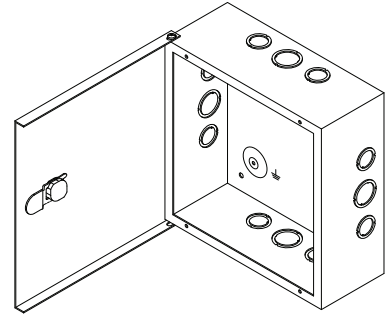
EUKO Series

EEMAC / NEMA 1 Hinged Cover Cutout Boxes

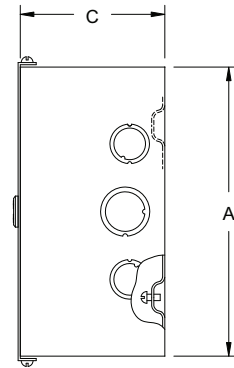


Top View

STANDARD KOD'S
SEE TABLE FOR
QTY. & SIZES



Front View



Side View

TECHNICAL READOUT

Catalog No.	Dimensions (box)			Knockouts		Weight lbs.
	A	B	C	Sides	Top & bottom	
EUKO663	6	6	3	1a, 1b	2a	3
EUKO664	6	6	4	2a, 1b	2a	4
EUKO884	8	8	4	2a, 1b	2a, 1b	5
EUKO10104	10	10	4	2a, 1b	2a, 1b	7
EUKO12124	12	12	4	2a, 1b	2a, 1b	9
EUKO886	8	8	6	2a, 1b	2a, 1b	6
EUKO10106	10	10	6	2a, 1b	2a, 1b	8
EUKO12126	12	12	6	2a, 1b	2a, 1b	10
EUKO16166	16	16	6	2a, 3b	2a, 3b	15
EUKO18186	18	18	6	2a, 3b	2a, 3b	20

Knockouts (Conduit Size): a = 1/2" - 3/4" • b = 3/4" - 1"

Note: This product is a universal enclosure. It can be used with either a hinged or a screw-on cover.

Application:

Type 1 surface mounted box generally used as a junction or pull, switch or general service box. Hinged cover may be changed to a screw cover.

Construction:

- 16 gauge steel
- Pre-punched holes to accommodate screw-hinged cover
- Easily removable knockouts on all sides
- Mounting holes on back
- Two grounding emboss & grounding screw
- ANSI/ASA61 grey polyester - epoxy textured powder coating inside out

Also Available:

- Aluminium, SS, galvanized steel
- Tamper proof screw
- Cutouts, louvers and hubs

Standards:

- CSA certified 150359
- UL listed E109311

