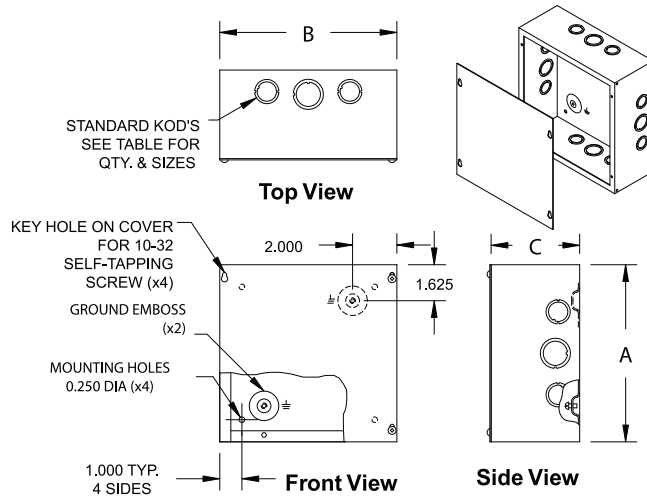


### TECHNICAL READOUT

Catalog No.	Dimensions (box)			Knockouts		Weight lbs.
	A	B	C	Sides	Top & bottom	
DUKO663	6	6	3	1a/1b	2a	3
DUKO664	6	6	4	2a/1b	2a	4
DUKO884	8	8	4	2a/1b	2a/1b	5
DUKO10104	10	10	4	2a/1b	2a/1b	7
DUKO12124	12	12	4	2a/1b	2a/1b	9
DUKO886	8	8	6	2a/1b	2a/1b	6
DUKO10106	10	10	6	2a/1b	2a/1b	8
DUKO12126	12	12	6	2a/1b	2a/1b	10
DUKO16166	16	16	6	2a/3b	2a/3b	15
DUKO18186	18	18	6	2a/3b	2a/3b	20
DKO24246	24	24	6	2a/3b	2a/3b	40
DKO30246	30	24	6	3a/4b	2a/3b	52
D30246				No Ko's		
DKO16168	16	16	8	2a/3b	2a/3b	18
D16168				No Ko's		
DKO24248	24	24	8	2a/3b	2a/3b	42
D24248				No Ko's		
DKO202010	20	20	10	2a/3b	2a/3b	39
D202010				No Ko's		
DKO242410	24	24	10	2a/3b	2a/3b	50
D242410				No Ko's		
DKO302010	30	20	10	3a/4b	2a/3b	52
D302010				No Ko's		
DKO303010	30	30	10	3a/4b	3a/4b	69
D303010				No Ko's		
DKO362410	36	24	10	4a/5b	2a/3b	67
D362410				No Ko's		

**Knockouts (Conduit Size): a = 1/2" - 3/4" • b = 3/4" - 1"**

Note: This product is a universal enclosure. It can be used with either a hinged or a screw-on cover.



### Application:

Type 1 surface or flush mounted on request enclosure generally used as a junction or pull box, switch box or general service box. Screw-on cover may be switched for a screw-hinged cover (standard on EUKO model).

### Construction:

- 16 gauge steel
- Pre-punched side holes to accommodate screw-hinged cover
- With knockouts (DUKO/DKO) or without (D)
- Mounting holes on back
- Two grounding emboss on sizes up to and including 24246; pre-punched grounding holes on larger sizes
- Grounding screw provided with each model
- ANSI/ASA61 grey polyester - epoxy textured powder coating inside out
- Specify "F" for flush mounting (i.e. DFUKO663)

### Also Available:

- Flush cover with 3/4" lip
- Aluminium, stainless steel, galvanized steel
- Tamper proof screw
- Cutouts, louvers, additional knockouts
- Special finishes & sizes

### Standards:

- CSA certified 150359
- UL listed E109311