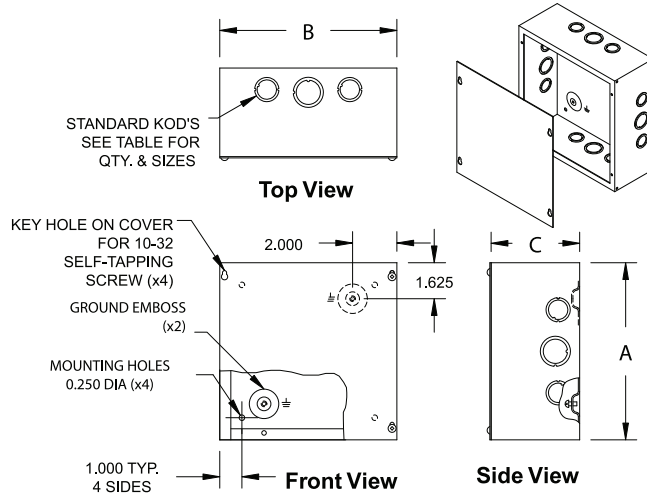


TECHNICAL READOUT

| Catalog No. | Dimensions (box) | | | Knockouts | | Weight lbs. |
|-------------|------------------|----|----|-----------|--------------|-------------|
| | A | B | C | Sides | Top & bottom | |
| DUKO663 | 6 | 6 | 3 | 1a/1b | 2a | 3 |
| DUKO664 | 6 | 6 | 4 | 2a/1b | 2a | 4 |
| DUKO884 | 8 | 8 | 4 | 2a/1b | 2a/1b | 5 |
| DUKO10104 | 10 | 10 | 4 | 2a/1b | 2a/1b | 7 |
| DUKO12124 | 12 | 12 | 4 | 2a/1b | 2a/1b | 9 |
| DUKO886 | 8 | 8 | 6 | 2a/1b | 2a/1b | 6 |
| DUKO10106 | 10 | 10 | 6 | 2a/1b | 2a/1b | 8 |
| DUKO12126 | 12 | 12 | 6 | 2a/1b | 2a/1b | 10 |
| DUKO16166 | 16 | 16 | 6 | 2a/3b | 2a/3b | 15 |
| DUKO18186 | 18 | 18 | 6 | 2a/3b | 2a/3b | 20 |
| DKO24246 | 24 | 24 | 6 | 2a/3b | 2a/3b | 40 |
| DKO30246 | 30 | 24 | 6 | 3a/4b | 2a/3b | 52 |
| D30246 | | | | No Ko's | | |
| DKO16168 | 16 | 16 | 8 | 2a/3b | 2a/3b | 18 |
| D16168 | | | | No Ko's | | |
| DKO24248 | 24 | 24 | 8 | 2a/3b | 2a/3b | 42 |
| D24248 | | | | No Ko's | | |
| DKO202010 | 20 | 20 | 10 | 2a/3b | 2a/3b | 39 |
| D202010 | | | | No Ko's | | |
| DKO242410 | 24 | 24 | 10 | 2a/3b | 2a/3b | 50 |
| D242410 | | | | No Ko's | | |
| DKO302010 | 30 | 20 | 10 | 3a/4b | 2a/3b | 52 |
| D302010 | | | | No Ko's | | |
| DKO303010 | 30 | 30 | 10 | 3a/4b | 3a/4b | 69 |
| D303010 | | | | No Ko's | | |
| DKO362410 | 36 | 24 | 10 | 4a/5b | 2a/3b | 67 |
| D362410 | | | | No Ko's | | |

Knockouts (Conduit Size): a = 1/2" - 3/4" • b = 3/4" - 1"

Note: This product is a universal enclosure. It can be used with either a hinged or a screw-on cover.



Application:

Type 1 surface or flush mounted on request enclosure generally used as a junction or pull box, switch box or general service box. Screw-on cover may be switched for a screw-hinged cover (standard on EUKO model).

Construction:

- 16 gauge steel
- Pre-punched side holes to accommodate screw-hinged cover
- With knockouts (DUKO/DKO) or without (D)
- Mounting holes on back
- Two grounding emboss on sizes up to and including 24246; pre-punched grounding holes on larger sizes
- Grounding screw provided with each model
- ANSI/ASA61 grey polyester - epoxy textured powder coating inside out
- Specify "F" for flush mounting (i.e. DFUKO663)

Also Available:

- Flush cover with 3/4" lip
- Aluminium, stainless steel, galvanized steel
- Tamper proof screw
- Cutouts, louvers, additional knockouts
- Special finishes & sizes

Standards:

- CSA certified 150359
- UL listed E109311