



Application:

Type 1 enclosure designed for indoor use to run electrical wiring

Construction:

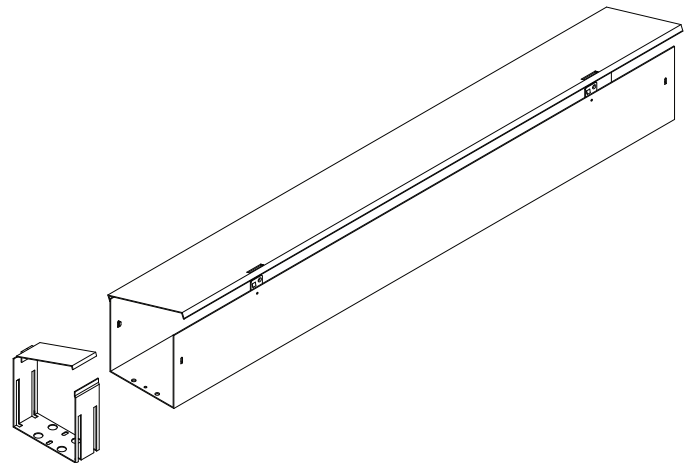
- 16 steel gauge
- Joiner supplied with each length
- Retractable sealing hasp
- ANSI/ASA61 grey polyester - epoxy textured powder coating inside out

Also Available:

- Heavier gauge for larger than 6" x 6" wireways
- Factory installed wire separating barriers (specify if horizontal or vertical installation inside fitting)
- Cutouts & holes, special finishes & sizes

Standards:

- CSA certified 150359



CAPACITY CHART

Wire Sizes	Dimension of Wires		Maximum Number of Wires of Same Capacity					
	Types	Types	64mm x 64mm (2.5" x 2.5")		102mm x 102mm (4" x 4")		152mm x 152mm (6" x 6")	
	RW75 R90 RW75 (X-Link) RW90 (X-Link)	T, TW, TWH RW75 (X-Link) RW90 (X-Link)	A	B	A	B	A	B
14	.0327	.0135	38	92	97	200	200	200
12	.0384	.0172	32	72	83	186	187	200
10	.0460	.0224	27	55	69	142	156	200
8	.0760	.0475	16	26	42	67	94	151
6	.1238	.0819	10	15	25	39	58	87
4	.1605	.1087	7	11	19	29	44	66
3	.1817	.1263	6	9	17	25	39	57
2	.2067	.1473	6	8	15	21	34	48
1	.2715	.2027	4	6	11	15	26	35
0	.3107	.2367	4	5	10	13	23	30
00	.3578	.2781	3	4	8	11	20	25
000	.4151	.3288	3	3	7	9	17	21
0000	.4840	.3904	2	3	6	8	14	18
250MCM	.5917	.4877	2	2	5	6	12	14
300MCM	.6837	.5581	1	2	4	5	10	12
350MCM	.7620	.6291	1	1	4	5	9	11
400MCM	.8365	.6969	1	1	3	4	8	10
500MCM	.9834	.8316	1	1	3	3	7	8
600MCM	1.1940	1.0261	1	1	2	3	6	7
700MCM	1.3355	1.1575	-	1	2	2	5	6
750MCM	1.4082	1.2252	-	1	2	2	5	5

TECHNICAL READOUT

Description	Catalog No. Weight		Catalog No. Weight		Catalog No. Weight	
	2.5" x 2.5"	lbs.	4" x 4"	lbs.	6" x 6"	lbs.
12" Wireway Section	B21LD	2	B41LD	4	B61LD	5
24" Wireway Section	B22LD	4	B42LD	7	B62LD	10
60" Wireway Section	B25LD	11	B45LD	18	B65LD	26
96" Wireway Section	B28LD	20	B48LD	33	B68LD	49

ACCESSORIES

90° Elbow	B290E	1.25	B490E	2	B690E	4
45° Elbow	B245E	1.25	B445E	1.50	B645E	2.5
22.5° Elbow	B225E	1	B425E	1.5	B625E	2
Tee Fitting	B2T	1.5	B4T	2.5	B6T	4
Cross Fitting	B2CF	2	B4CF	2.25	B6CF	4
Hanger (hori. & vert.)	B2H	0.25	B4H	0.5	B6H	0.75
Closing Plate	B2CP	0.25	B4CP	0.5	B6CP	1
Adaptor	B2AD	0.25	B4AD	0.75	B6AD	1
Reducer 4" to 2.5"	-	-	B42R	1.5	-	-
Reducer 6" to 4"	-	-	-	-	B64R	2
Joiner	B2J	0.25	B4J	0.5	B6J	0.75
12" Barrier*	B21B	0.5	B41B	1	B61B	1
24" Barrier*	B22B	1	B42B	2	B62B	3
60" Barrier*	B25B	3	B45B	5	B65B	7
96" Barrier*	B28B	5	B48B	9	B68B	14

* Barrier designed for field installation

