



MR16/GU10/PAR16 LED

7MR16/LED/F25/830/DIM AF2 10/1

Philips MR16 Dimmable LED Lamps provide ambient level light to illuminate hard to maintain applications. Increased transformer compatibility allows for operation on a wider range of transformers. Available in dimmable and non-dimmable versions, these lamps are ideal for track and open recessed fixtures in retail, hospitality and residential spaces.

Product data

• General Information

Cap-Base	GU5.3 [GU5.3]
Bulb Shape	MR16 [2inch/50mm]
Nominal Lifetime (Nom)	25000 h
Switching Cycle	50000X
B50L70	40000
Technical Type	7-50W

• Light Technical

Color Code	930 [CCT of 3000K]
Beam Angle (Nom)	25 °
Light Distribution	25D [Medium beam]
Initial lumen (Nom)	500 lm
Luminous Flux (Rated) (Nom)	500 lm
Luminous Intensity (Nom)	2500 cd
Color Designation	White (WH)
Rated Beam Angle	25 °
Correlated Color Temperature (Nom)	3000 K
Luminous Efficacy (rated) (Nom)	71 lm/W
Color Consistency	<6
Color Rendering Index (Nom)	90
LLMF At End Of Nominal Lifetime (Nom)	70 %
Luminous Flux In 90° Cone (Rated)	500 lm

• Operating and Electrical

Power (Rated) (Nom)	7 W
Lamp Current (Nom)	720 mA
Wattage Equivalent	50 W
Starting Time (Max)	0.5 s
Starting Time (Nom)	0.5 s
Warm Up Time To 60% Light (Nom)	1 s
Power Factor (Nom)	0.7
Voltage (Nom)	12 V

• Temperature

T-Case Maximum (Nom)	92 °C
----------------------	-------

• Controls and Dimming

Dimmable	Yes
----------	-----

• Approval and Application

Energy Saving Product	Yes
Suitable For Accent Lighting	Yes
Energy Efficiency Label (EEL)	Not applicable
Energy Consumption kWh/1000 h	8 kWh

• Product Data

Order product name	7MR16/LED/F25/830/DIM AF2 10/1
EAN/UPC - Product	046677461560
Order code	461566

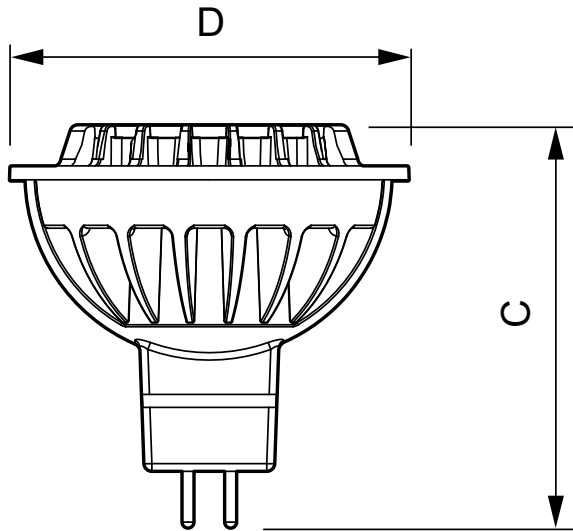
PHILIPS

MR16/GU10/PAR16 LED

Numerator - Quantity Per Pack 1
Numerator - Packs per outer box 10

Material Nr. (12NC) 929001152934
Net Weight (Piece) 0.045 kg

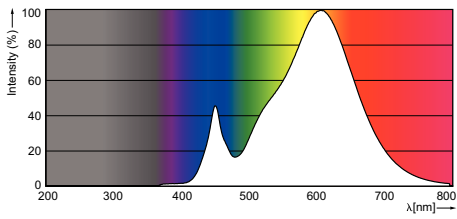
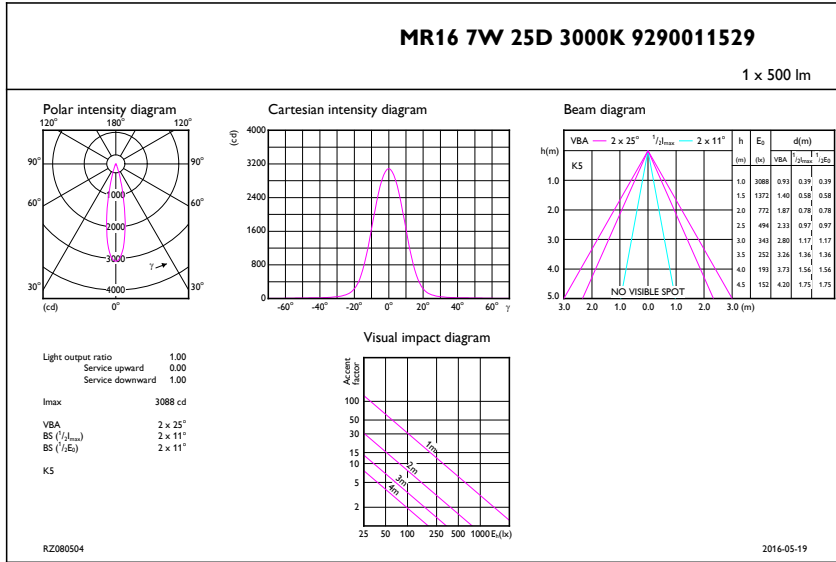
Dimensional drawing



7-35 W GU5.3 MR16

LED D 7-35W 830 MR16 24D

Product	D C
<hr/>	
7MR16/LED/F25/830/DIM AF2 10/1	



© 2016 Philips Lighting Holding B.V.
All rights reserved.

Specifications are subject to change without notice. Trademarks are the property of Koninklijke Philips N.V. (Royal Philips) or their respective owners.

www.philips.com/lighting

2016, October 11
data subject to change