



Twistline GU10

BC50 TWISTLINE GU10/FL 6/3

Bright, white accent light with superior energy savings Philips Twistline GU10 Philips Halogen Twistline MR16 with GU10 base provide bright white accent light. The twist and lock base enables easy installation and a secure fit. Suited for track and recessed lighting applications.

Product data

• General Information

Cap-Base	GU10 [GU10]
Bulb Shape	MR16 [2inch/50mm]
Operating Position	UNIVERSAL [Any or Universal (U)]
Nominal Lifetime (Nom)	2000 h

• Light Technical

Beam Angle (Nom)	25 °
Luminous Intensity (Max)	700 cd
Correlated Color Temperature (Nom)	2800 K
Color Rendering Index (Nom)	100

• Operating and Electrical

Power (Rated) (Nom)	50 W
Starting Time (Nom)	0.0 s
Voltage (Nom)	120 V

• Controls and Dimming

Dimmable	Yes
----------	-----

• Mechanical and Housing

Bulb Finish	Clear
-------------	-------

• Approval and Application

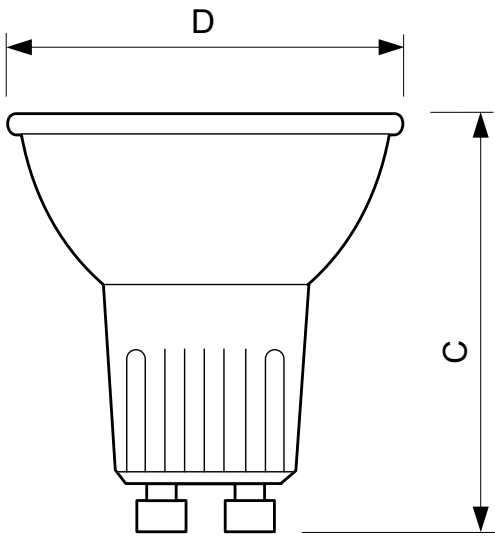
Energy Efficiency Label (EEL)	-
-------------------------------	---

• Product Data

Order product name	BC50 TWISTLINE GU10/FL 6/3
EAN/UPC - Product	50046677208689
Order code	925691836305
Numerator - Quantity Per Pack	1
Numerator - Packs per outer box	6
Material Nr. (12NC)	925691836305
Net Weight (Piece)	0.046 kg

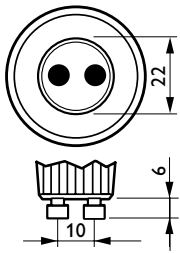
PHILIPS

Dimensional drawing



TWIST 50W GU10 120V 25D

Product	D	C
BC50 TWISTLINE GU10/FL 6/3	51 mm	53 mm



© 2016 Philips Lighting Holding B.V.
All rights reserved.

Specifications are subject to change without notice. Trademarks are the property of Koninklijke Philips N.V. (Royal Philips) or their respective owners.

www.philips.com/lighting

2016, May 28
data subject to change