



# MR16 LED

7MRX16/F24 2700 DIM AF 10/1

Philips MR16 Dimmable LED Lamps provide ambient level light to illuminate hard to maintain applications. Increased transformer compatibility allows for operation on a wider range of transformers. Available in dimmable and non-dimmable versions, these lamps are ideal for track and open recessed fixtures in retail, hospitality and residential spaces.

## Product data

### • General Characteristics

Cap-Base	GU5.3
Bulb	MR16 [MR 16inch/50mm]
Rated Avg. Life (Hours)	40000 hr
Nominal Lifetime hours	40000 hr

Dimmable	Yes
Wattage Equivalent	35 W
Rated Wattage	7.0 W
Starting Time	0.5 (max) s
Warm-up Time to 60% Light Outp	instant full light
Suitable for accent lighting	Yes

### • Light Technical Characteristics

Color Code	827
Color Designation	Warm White
Beam Angle	24 D
Beam Description	24D [Medium beam]
Correlated Color Temperature	2700 K
Approximate Lumens	420 Lm
Approx. MBCP	2100 cd
CRI	80
Luminous Efficacy Lamp	60.00 Lm/W
Color Temp. (Kelvin)	2700 K [CCT 2700K]
Rated Luminous Flux	420 Lm
LLMF - end nominal lifetime	70 %
Colour consistency	6 steps
Rated Beam Angle	24 D
Luminous flux in 90° cone	400 Lm

### • Temperature Characteristics

T-case maximum	110 C
----------------	-------

### • Environmental characteristics

Energy Efficiency Label (EEL)	A
Energy consumption kWh/1000h	8 kWh

### • Measuring Conditions

Switching cycle	50000X
-----------------	--------

### • Product Dimensions

Overall Length C	50 mm
Diameter D	54 mm

### • Product Data

Product number	432591
Full product name	7MRX16/F24 2700 DIM AF 10/1
Short product name	7MR16/F24 2700 DIM AF 10/1
Pieces per Sku	1
eop_pck_cfg	10
Skus/Case	10

### • Electrical Characteristics

Wattage	7 W
Wattage Technical	7 W
Voltage	12 V
Line Frequency	50-60 Hz
Lamp Current mA	715 mA



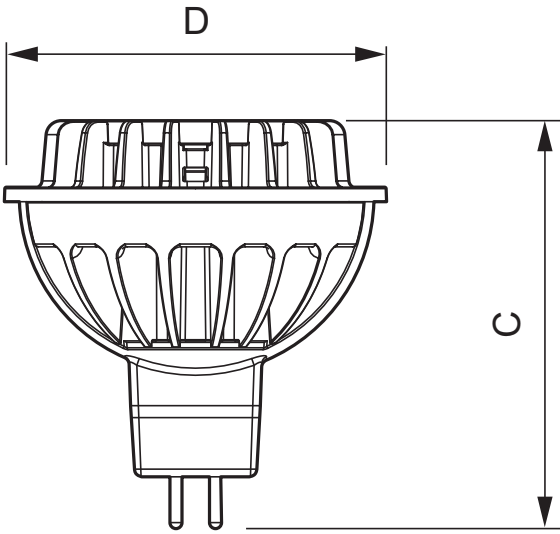
# PHILIPS

# MR16 LED

Bar code on pack 46677432591  
Bar code on case 50046677432596

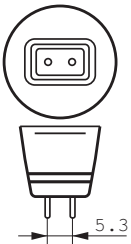
Logistics code(s) 929000237304  
eop\_net\_weight\_pp 0.060 kg

## Dimensional drawing



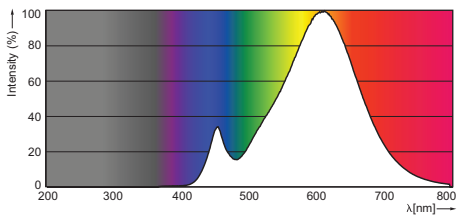
### 7MRX16/F24 2700 DIM AF 10/1

Product	C (Norm)	D (Norm)
LED D 7-35W 2700K MR16 24D	50	54



GU5.3

## Photometric data



7-40 W, 7-35 W MR16 2700K



© 2014 Koninklijke Philips N.V. (Royal Philips)  
All rights reserved.

Specifications are subject to change without notice. Trademarks are the property of Koninklijke Philips N.V. (Royal Philips) or their respective owners.

[www.philips.com/lighting](http://www.philips.com/lighting)

2014, December 10  
data subject to change