



# BR LED with AirFlux Technology

12BR40/F90 2700 DIM AF 6/1

Philips BR Dimmable LED Lamps with AirFlux technology provide a soft, diffused level of light and smooth dimming to reduce glare. The sleek, lightweight design is ideal for downlighting.

## Product data

### • General Characteristics

Cap-Base	E26
Bulb	BR40
Rated Avg. Life (Hours)	25000 hr

### • Light Technical Characteristics

Color Code	WW
Color Designation	Warm White
Beam Angle	90 D
Correlated Color Temperature	2700 K
CRI	82
Luminous Efficacy Lamp	66.67 Lm/W
Color Temp. (Kelvin)	2700 K [CCT 2700K]
Rated Luminous Flux	800 Lm

### • Electrical Characteristics

Wattage	12 W
Wattage Technical	12 W
Voltage	120 V
Line Frequency	60 Hz
Power Factor	0.90 -
Lamp Current mA	100 mA
Dimmable	Yes
Wattage Equivalent	75 W

Starting Time	0.5 (max) s
---------------	-------------

### • Environmental characteristics

Energy consumption kWh/1000h	12 kWh
------------------------------	--------

### • Measuring Conditions

Switching cycle	15000X
-----------------	--------

### • Product Dimensions

Overall Length C	161.2 mm
Diameter D	124.8 mm

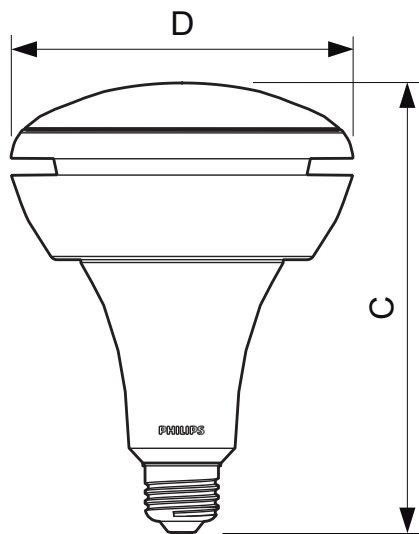
### • Product Data

Product number	431940
Full product name	12BR40/F90 2700 DIM AF 6/1
Short product name	12BR40/F90 2700 DIM AF
Pieces per Sku	1
eop_pck_cfg	6
Skus/Case	6
Bar code on pack	46677431945
Bar code on case	50046677431940
Logistics code(s)	929000258004
eop_net_weight_pp	0.357 kg

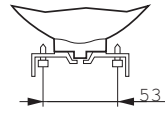


# PHILIPS

Dimensional drawing



12BR40/F90 2700 DIM AF 6/1



GU5.3



© 2014 Koninklijke Philips N.V. (Royal Philips)  
All rights reserved.

Specifications are subject to change without notice. Trademarks are the property of Koninklijke Philips N.V. (Royal Philips) or their respective owners.

[www.philips.com/lighting](http://www.philips.com/lighting)

2014, November 18  
data subject to change