

ELECTRONIC FLUORESCENT BALLASTS

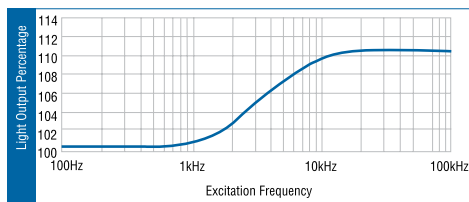
Ballast Life

Philips Advance fluorescent electronic and magnetic ballasts are designed and manufactured to engineering standards correlating to an average life expectancy of 50,000 hours of operation at maximum rated case temperature. Since Philips Advance ballasts operate below their maximum case temperature in the majority of applications, increased ballast life can be expected. As a rule of thumb, ballast life may be doubled for every 10°C reduction in ballast case operating temperature. However, there are many variables, such as input voltage, ambient temperature, etc. which affect ballast operating temperatures, and therefore ballast life.

Lamp Operating Frequency

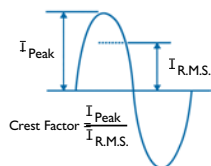
Electromagnetic ballasts and the lamps connected to them operate at an input voltage frequency of 60 Hertz (Hz), 60 cycles per second — which is the standard alternating voltage/current frequency provided in North America. Electronic ballasts, on the other hand, convert this 60 Hz input to operate lamps at much higher frequencies above 20 Kilohertz (kHz), 20,000 cycles per second. Philips Advance ballasts operate above 20 kHz, but avoid certain ranges such as 30-40 kHz (infrared) and 54-62 kHz (theft deterrent systems) due to interference issues.

Because electronic ballasts function at high frequency, the fluorescent lighting systems that they operate can convert power to light more efficiently than systems operated by electromagnetic ballasts (See chart below). For example, lamps operated on electronic ballasts can produce over 10 percent more light than if operated on electromagnetic ballasts at the same power levels. In effect, today's electronic ballasts provide additional energy savings by matching the light output from electromagnetic ballasts while operating the lamps at lower power. This is the main reason why electronic ballast systems are more efficient than magnetic ballast system.



Crest Factor

Lamp manufacturers use crest factor to determine ballast performance as it relates to lamp life. Lamp Current Crest Factor is a measurement of current supplied by a ballast to start and operate the lamp. It is basically the ratio of peak current to RMS (average) current. High crest factor currents may cause the lamp electrodes to wear out faster, reducing lamp life. Crest factor requirements are regulated by ANSI (American National Standards Institute) standards and specified by lamp manufacturers. For rapid start and instant start T8 lamps the ratio is 1.7 maximum, and for instant start slimline lamps, it is 1.85 maximum.



Weight and Size Advantages

Since electronic components in electronic ballasts are smaller and lighter than the core-and-coil assembly in electromagnetic ballasts, electronic ballasts can weigh less than half as much as comparable

electromagnetic models. Almost all Philips Advance electronic ballasts have a smaller cross-section than electromagnetic ballasts but maintain the same mounting dimensions. This means that they can fit into all new fixture designs and can be easily retrofitted into existing fluorescent lighting systems.

Controllability

The ability of a building's occupants to control how they light their space is becoming an increasingly important factor for organizations in determining what real estate they will lease, buy or invest in. The ability to dim the lights or easily shut them off completely is a trend fueled not just by a desire to help the environment, but also by significant economic benefits. These benefits include greater energy efficiency — in terms of reduced HVAC costs as well as energy savings for lighting — more comfortable and productive working environments, and compliance with ever tighter energy efficiency regulations. Philips Advance offers five families of electronic controllable ballasts — ROVR, Mark 7 0-10V, Mark 10 Powerline, PowerSpec HDF, EssentialLine 0-10V and EssentialLine Powerline.

Compatibility With Powerline Carrier Systems

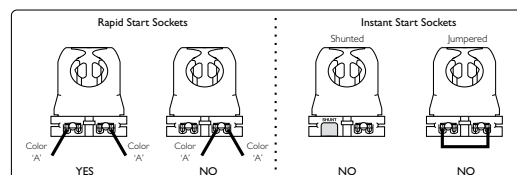
A powerline carrier system (PLC) uses electronic wiring devices to send information via a high frequency signal over the 120V or 277V electrical power distribution system of a building. For example, PLC systems are used in automatic clock systems (master time systems) to synchronize all of the clocks in a building or reset the time after a power outage. They eliminate the need for maintenance personnel to reset hundreds of clocks throughout a facility.

In a PLC system, a generator is used to impose a 1 to 4V high frequency signal on top of the existing voltage sine wave (60 Hz). This signal is generally in the 2500 to 9500Hz range, with some older systems operating at 19,500Hz or higher. Some electronic ballasts which are capacitive can absorb the signal from a PLC system. As a result, the signal becomes too weak to be "heard" by the receiver (like a timeclock) connected to the powerline.

Instant Start vs. Rapid Start Sockets for Dimming

When using dimming ballasts in fixtures, sockets must be of the Rapid Start type. Many fixtures with T-8 Instant Start electronic ballasts use jumpered or "shunted" Instant Start sockets. Controllable ballasts require two distinctly separate wires for each lamp socket. If you encounter shunted or jumpered sockets in a retrofit application, they must be removed and replaced with Rapid Start sockets.

Improper socket application will damage the ballast and void the ballast warranty. Refer to ballast wiring diagram for proper installation.



Fluorescent Lamp Burn-In

Today, most lamp manufacturers do not require the burn-in of linear fluorescent lamps prior to dimming in order to attain rated lamp life and stable electrical measurements. However, some manufacturers of compact fluorescent lamp sources do require a 100 hour burn-in prior to dimming. Consult your lamp manufacturer for their latest requirements.

ELECTRONIC FLUORESCENT BALLASTS

Ordering Information

How to Order

Philips Lighting Systems and Controls has developed the industry's broadest distribution system for electronic ballasts. More than 3000 stocking distributors nationwide. For information on the distributor best able to serve your needs, please call 800-372-3331.

Electronic Ballast Part Number Breakdown

I	CF	-	2	S	26	-	HI	-	LD														
<p>CFL Mounting/Connector Options</p> <p>BL = Bottom leads BLS = Bottom leads with mounting studs BS = Bottom mounting studs with single entry color coded connectors EL = End leads LD = Length mounting feet with SmartMate® dual entry color coded connectors QS = QuikStart</p> <p>Linear Fluorescent Mounting/Connector Options</p> <p>2LS = 2 Level Switching</p>																							
<p>CFL Can Description</p> <p>HI = Hybrid metal / plastic case, size 1 M1 = Metal case, size 1 M2 = Metal case, size 2 M3 = Metal case, size 3 M4 = Metal case, size 4 M5 = Metal case, size 5 M6 = Metal case, size 6</p> <p>Linear Fluorescent Can Description</p> <p>90C = 90°C maximum case temperature rating A = 'A' can D = 'D' can G = 'G' can HL = High light output L = 'L' can LW = Low watt MC = Micro can N = 'N' can SC = Small can</p>																							
<p>Lamp Watts (Primary lamp)</p>																							
<p>Wiring Configuration</p> <p>D = 2D, series M = Modified parallel** P = Parallel PSP = Programmed Start Parallel Q = Quad CFL, series S = Series T = Triple CFL, series TTS = Long twin tube, series TTP = Long twin tube, parallel</p>																							
<p>Maximum Number of Lamps</p>																							
<p>Family Name</p> <table border="0"> <tr> <td>CF = Compact Fluorescent</td> <td>CN = Centium</td> </tr> <tr> <td>DA = ROVR</td> <td>DL = ROVR</td> </tr> <tr> <td>EB = AmbiStar</td> <td>ELB = AmbiStar</td> </tr> <tr> <td>EZ = Mark 10® Powerline</td> <td>LV = EssentiaLine 0-10V</td> </tr> <tr> <td>MB = AmbiStar</td> <td>OP = Optanium</td> </tr> <tr> <td>TR = EssentiaLine Powerline</td> <td>UV = PureVolt</td> </tr> <tr> <td>ZT = Mark 7® 0-10V</td> <td></td> </tr> </table>										CF = Compact Fluorescent	CN = Centium	DA = ROVR	DL = ROVR	EB = AmbiStar	ELB = AmbiStar	EZ = Mark 10® Powerline	LV = EssentiaLine 0-10V	MB = AmbiStar	OP = Optanium	TR = EssentiaLine Powerline	UV = PureVolt	ZT = Mark 7® 0-10V	
CF = Compact Fluorescent	CN = Centium																						
DA = ROVR	DL = ROVR																						
EB = AmbiStar	ELB = AmbiStar																						
EZ = Mark 10® Powerline	LV = EssentiaLine 0-10V																						
MB = AmbiStar	OP = Optanium																						
TR = EssentiaLine Powerline	UV = PureVolt																						
ZT = Mark 7® 0-10V																							
<p>Input Voltage</p> <p>G = 347V H = IntelliVolt 347V to 480V 50/60 Hz I = IntelliVolt 120V to 277V 50/60 Hz R = 120V V = 277V</p>																							

Corporate Offices

(800) 322-2086

Customer Support/Technical Service

(800) 372-3331

(+) | 847 390-5000 (International)

Visit our web site at

www.philips.com/advance

- Plan your lighting installation carefully; consider using the services of a qualified lighting designer
- Consult your local electric utility regarding demand side management rebate programs.
- Select the Philips Advance electronic ballast which best matches the requirements of your application. The technical specifications in this catalog (located on pages 9-6 to 9-13) will be useful in obtaining bids from electrical contractors.
- Contact your local Philips Lighting distributor. You will find them to be a helpful supplier of both products and information.

* Many current and all future electronic ballast part numbers will not use the "RH-TP" suffixes even though these ballasts will be thermally protected.

** Parallel Wiring Configuration. However, if one lamp fails, all other lamps in the circuit will extinguish.

ELECTRONIC FLUORESCENT BALLASTS

SmartMate and Mark 10 Powerline Ballast Kits



Kit Contents and Key Features	Key Benefits
<p>SmartMate or Mark 10 Powerline ballast</p> <ul style="list-style-type: none"> • Intellivolt Technology • Dual-entry color-coded connectors • Multi-Lamp Capability <p>Mounting Plate Adapter</p> <ul style="list-style-type: none"> • Multiple lead wire cutouts, including center hole • Integral mounting studs <p>Lead Wire</p> <ul style="list-style-type: none"> • Color-coded • Pre-stripped 3/8" on one end — 5/8" on the other <p>Wire Extraction Tool</p> <p>Individually Shrink-Wrapped Kits</p>	<p>Makes ballast selection and installation a breeze</p> <ul style="list-style-type: none"> • Provides full range input voltage from 120V to 277V • Adds to application versatility; simplifies wiring • Encompasses a wide variety of applications, including quads, triple tubes, circline, 2D and long twin-tube lamps <p>Takes the guess-work out of mounting</p> <ul style="list-style-type: none"> • Allows wiring and mounting to existing fixture's mounting plate • Eliminates need to stock units with and without studs <p>Allows installer to pre-wire</p> <ul style="list-style-type: none"> • Enables wiring accuracy • Meets UL poke-in connector requirements and facilitates final connection <p>Makes for quick disconnections if necessary</p>

ICF-2S13-H1-LD-K REZ-2Q26-M2-LD-K
 ICF-2S18-H1-LD-K VEZ-2Q26-M2-LD-K
 ICF-2S26-H1-LD-K REZ-1T42-M2-LD-K
 ICF-2S42-M2-LD-K VEZ-1T42-M2-LD-K

Kits contain the standard ballasts.
 For lamp and operational data consult
 pages 1-22 through 1-29 and 2-9





- Ideally suited for replacement of expired electronic ballasts, regardless of brand or mounting configuration.
- Dramatically simplifies the upgrading of incandescent fixtures to energy-saving CFL.
- Compatible with most J-Box covers

For 13-18W Quad Lamps

HIGH POWER FACTOR SOUND RATED A



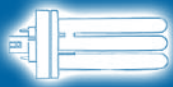
Electronic
Fluorescent Ballasts

No. of Lamps	Input Volts	Lamp Starting Method	Ballast Family	Catalog Number	Input Power ANSI (Watts)	Ballast Factor	Max. THD %	Line Current (Amps)	Min. Starting Temp. (°F/°C)	Dim.	Wiring Dia.
CFQ13W/G24q - 13W CFL Quad Tube Lamp (PL-C13W/4P, F13DBX/4P, CF13DD/E)											
1	120	IS	AmbiStar	REB-113-M6-BLS*	13	1.00	150	0.23	0/-18	Size 6	160A
				REB-113-M6-EL*							
		RCF-2S13-HI-LD-QS	16	1.00	10	0.13					
	RCF-2S13-M1-BS-QS										
	120-277	PS	SmartMate	ICF-2S13-M1-BS-QS	16	1.00	10	0.13-0.06			
				ICF-2S13-HI-LD							
ICF-2S13-HI-LD-K 											
2	120	IS	AmbiStar	REB-2S13-M6-EL*	27	0.88	135	0.42	0/-18	Size 6	159
				RCF-2S13-HI-LD-QS							
		RCF-2S13-M1-BS-QS	29	1.00	10	0.25					
	ICF-2S13-M1-BS-QS										
	120-277	PS	SmartMate	ICF-2S13-HI-LD	29	1.00	10	0.25-0.11			
				ICF-2S13-HI-LD-K 							
ICF-2S13-M1-BS											
CFQ18W/G24q - 18W CFL Quad Tube Lamp (PL-C18W/4 P, F18DBX/4P, CF18DD/E)											
1	120	IS	AmbiStar	REB-118-M6-BLS*	18	1.00	150	0.29	0/-18	Size 6	160A
				REB-118-M6-EL*							
		RCF-2S18-M1-BS-QS	19	1.00	10	0.16					
	ICF-2S18-M1-BS-QS										
	120-277	PS	SmartMate	ICF-2S18-HI-LD	19	1.00	10	0.16-0.07			
				ICF-2S18-HI-LD-K 							
ICF-2S18-M1-BS											
2	120	RS	AmbiStar	REB-2S18-M6-EL*	37	0.90	135	0.55	0/-18	Size 6	159
				RCF-2S18-M1-BS-QS							
		ICF-2S18-M1-BS-QS	35	0.95	10	0.30					
	ICF-2S18-HI-LD										
	120-277	PS	SmartMate	ICF-2S18-HI-LD	35	0.95	10	0.30-0.13			
				ICF-2S18-HI-LD-K 							
ICF-2S18-M1-BS											

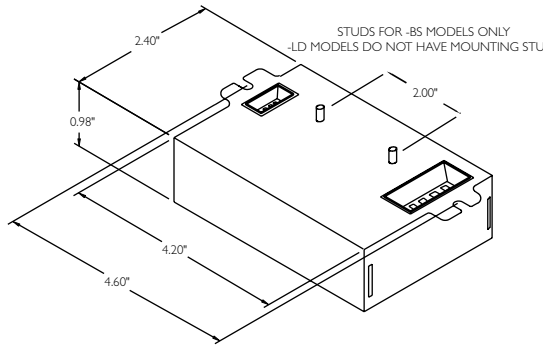
* Normal Power Factor

 Replacement/Retrofit ballast kits indicated with suffix K are available to distributors. Refer to page I-21 for details.

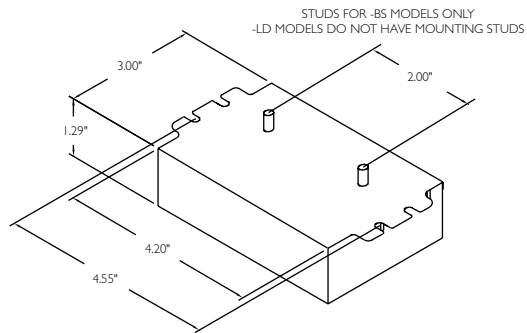
Refer to page I-27 for dimensions and wiring diagrams
 Refer to pages 9-23 to 9-27 for lead lengths and shipping data



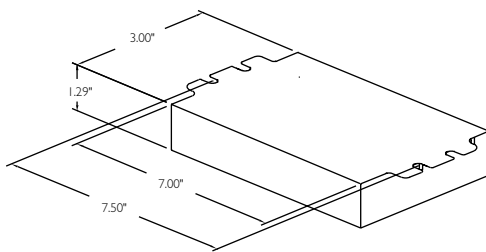
T4 Wiring Diagrams and Dimensions



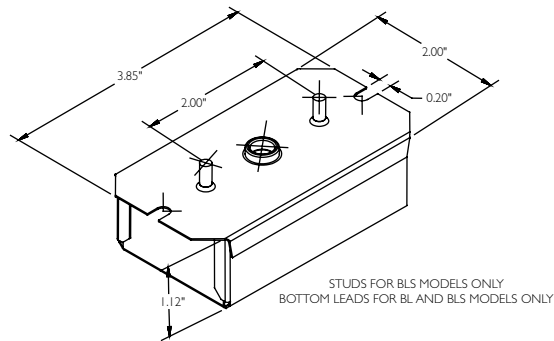
Size 1 Enclosure



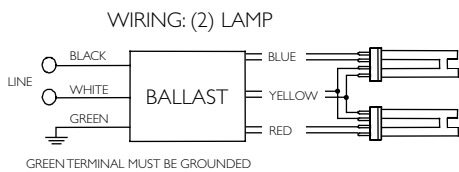
Size 2 Enclosure



Size 4 Enclosure

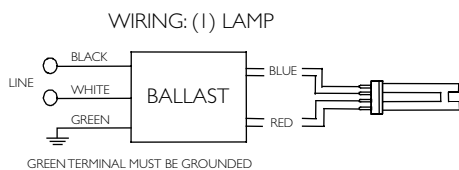


Size 6 Enclosure

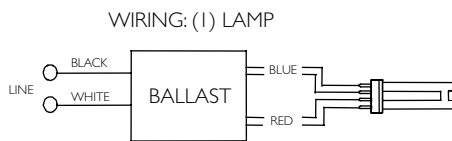


Diag. 159

Note: For AmbiStar 1-lamp operation on 2-lamp ballast, use red and blue connectors



Diag. 160



Diag. 160A

Refer to pages 9-23 to 9-27 for lead lengths and shipping data