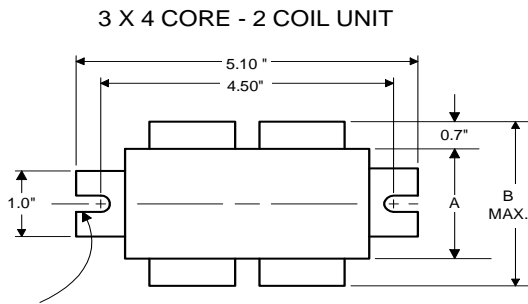




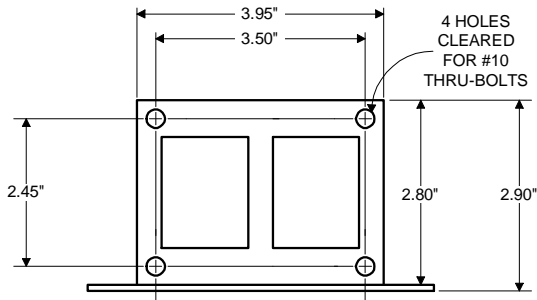
Low Pressure
Sodium
Lamp Ballast

Catalog Number 71A0280
For 18W L69
60 Hz HX-HPF
Status: Active

DIMENSIONS AND DATA

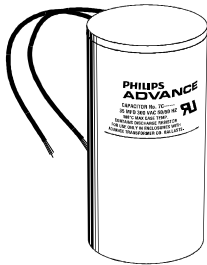


0.25" WIDE
2 SLOTS

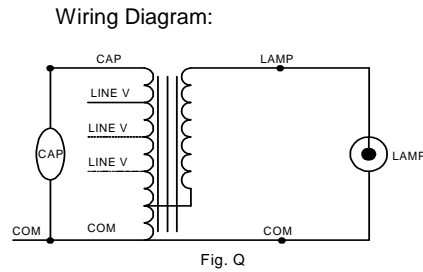


INPUT VOLTS	120	277			
CIRCUIT TYPE	HX-HPF				
POWER FACTOR (min)	90%				
REGULATION					
Line Volts	±5%				
Lamp Watts	±10%				
LINE CURRENT (Amps)					
Operating.....	0.27	0.12			
Open Circuit.....	0.85	0.40			
Starting.....	0.30	0.13			
UL TEMPERATURE RATINGS					
Insulation Class	H(180°C)				
Coil Temperature Code	1029				
	A	A			
MIN. AMBIENT STARTING TEMP.	-20°F or -30°C				
NOM. OPEN CIRCUIT VOLTAGE	315				
INPUT VOLTAGE AT LAMP DROPOUT.....	45	100			
INPUT WATTS	30				
RECOMMENDED FUSE (Amps).....	3	2			
CORE and COIL					
Dimension (A)	1.00				
Dimension (B)	2.40				
Weight (lbs.)	4.5				
Lead Lengths	12"				
CAPACITOR REQUIREMENT					
Microfarads	5.0				
Volts (min.)	250				
Fault Current Withstand (amps)					
60 Hz TEST PROCEDURES (Refer to Advance Test Procedure for HID Ballasts - Form 1270)					
High Potential Test (Volts)					
1 minute	2000				
2 seconds	2500				
Open Circuit Voltage Test (Volts)	280-350				
Short-Circuit Current Test (Amps)					
Secondary Current	0.30-0.40				
Input Current.....	0.10-0.20	0.05-0.10	-	-	-

Capacitor: 7C050L33



Capacitance: 5
Dia/Oval Dim: 1.25
Height: 2.9
Temp Rating: 105°C



Ordering Information

Order Suffix	Description

Ignitor: NA

This ballast does not require the use of an ignitor.

Data is based upon tests performed by Advance Transformer in a controlled environment and representative of relative performance. Actual performance can vary depending on operating conditions. Specifications are subject to change without notice.

ADVANCE TRANSFORMER CO.

O'HARE INTERNATIONAL CENTER · 10275 WEST HIGGINS ROAD · ROSEMONT, IL 60018
Customer Support/Technical Service: Phone: 800-372-3331 · Fax: 847-768-7768
Corporate Offices: Phone: 800-322-2086

12/04/09