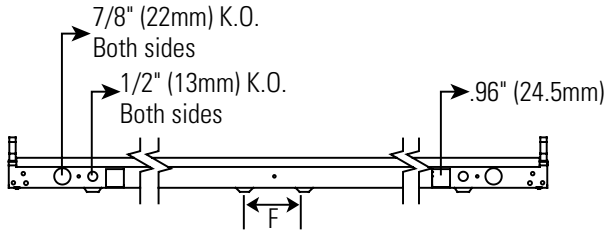
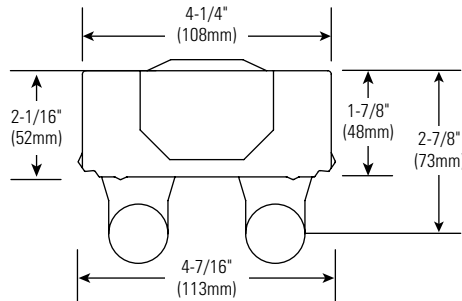
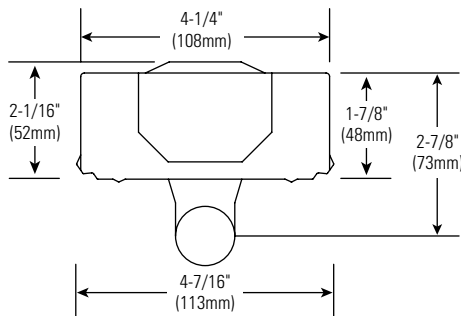
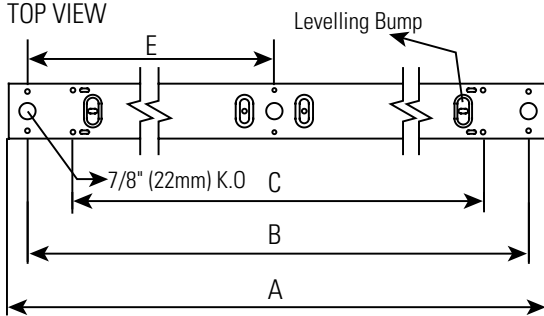


4-1/4" wide x 1-5/8" deep x 24", 36", 48", 96" lengths
1 or 2 lamps in a luminaire cross-section T8 or T12 lamp

SIDE VIEW



TOP VIEW



Nom. Length	A	B	C	D	E	F
96"	96" (2438mm)	93-15/16" (2396mm)	89-15/16" (2262mm)	86-15/16" (2208mm)	47" (1194mm)	3-3/16" (81mm)
72"	72" (1829mm)	59-15/16" (1522mm)	65-1/16" (1653mm)	62-15/16" (1599mm)	35" (889mm)	3-3/16" (81mm)
48"	48" (1219mm)	45-15/16" (1167mm)	41-1/16" (1043mm)	38-15/16" (989mm)	23" (584mm)	3-3/16" (81mm)
36"	36" (914mm)	33-15/16" (862mm)	29-1/16" (738mm)	26-15/16" (684mm)	N/A	N/A
24"	24" (610mm)	21-15/16" (557mm)	17-1/16" (433mm)	14-15/16" (379mm)	N/A	N/A
18"	18" (457mm)	15-15/16" (405mm)	13-1/2" (343mm)	8-15/16" (227mm)	N/A	N/A

Job Information	Type:
Job Name:	
Cat. No.:	
Lamp(s):	
Notes:	

CFI Fluorescent

525 Education Road, Cornwall, Ontario K6H 6C7 • (613) 938-6221 • Fax (613) 938-0961
We reserve the right to change details of design, materials and finish.
© 2008 Philips Group • F1-0420-06 Rev 01.pdf

Canlyte

3015 Louis-Amos, Lachine, Québec H8T 1C4 • (514) 636-0670 • (514) 636-0460

www.canlyte.com

RO-07/08

Ordering information

Explanation of Catalog Number. Example: **SB248-120SO**

SB	2	48	120	SO	
Side Strip	Number of Lamps in a Luminaire cross-section	Lamp/Fixture Length/Watt:	Voltage	Ballast Type	Options
4-1/4" Wide x 1-5/8" Deep Channel	1 2	24 = nominal 24" (2 Lamp) 17W T8 or 20W T12 36 = nominal 36" (2 Lamp) 25W T8 or 30W T12 48 = nominal 48" (2 Lamp) 32W T8 or 34W T8 48T = nominal 96" (2 Lamp tandem) 32W T8 or 34W T8 96S = nominal 96" 59W T8 SL or 75W T12 SL W2 = nominal 24" (1 Lamp) 17W T8 or 20W T12 W3 = nominal 36" (1 Lamp) 25W T8 or 30W T12 W4 = nominal 48" (1 Lamp) 32W T8 or 34W T8 W4T = nominal 96" (1 Lamp tandem) 32W T8 or 34W T8	120 277 347	<20THD [†] <10THD [†] SO* R0** 2 Lamp Elect. T8 O4* R4** 1-4 Lamp Elect. T8 PS – LOL T8 Dimming *Instant Start Standard **Rapid Start Standard † % total harmonic distortion	Add appropriate suffix to catalog no.

Features

- 4-1/4" wide housing channel
- Fully enclosed wiring
- Snap-on ballast cover
- Combination end cap for continuous row mounting
- Convenience outlet and switch K.O.s provided
- Optional hangers, wire guards and aligners
- Optional heavy duty coupling

Specifications

Materials: Chassis parts are die-formed code gauge cold rolled steel, 1-7/8" deep, 4-5/8" channel width.

Lampholders: Mounted to flip-up socket bridge which can be flipped up from the horizontal (shipping position) to the vertical (installation) position with 4 screws.

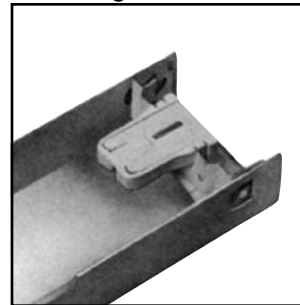
Ballast Cover: Snap-on type without fasteners. Screwdriver slots are to be provided in housing for easy removal of ballast cover.

Finish: Chassis exterior phosphate undercoating, baked white polyester enamel.

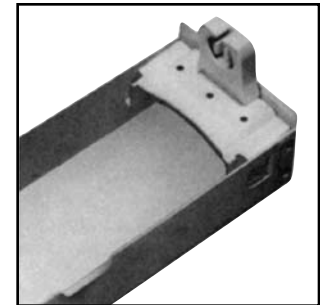
Electrical: Rapid start HPF, thermally protected class "P" ballast C.B.M. certified by E.T.L. If K.O. is within 3" of ballast, use wire suitable for at least 90°.

Labels: Listed by CSA.

Mounting Methods/Features



Flipstrip - shipping position



Flipstrip - shipping position

Job Information

Type:

CFI Fluorescent

525 Education Road, Cornwall, Ontario K6H 6C7 • (613) 938-6221 • Fax (613) 938-0961
We reserve the right to change details of design, materials and finish.
© 2008 Philips Group • F1-0420-06 Rev 01.pdf

Canlyte

3015 Louis-Amos, Lachine, Québec H8T 1C4 • (514) 636-0670 • (514) 636-0460

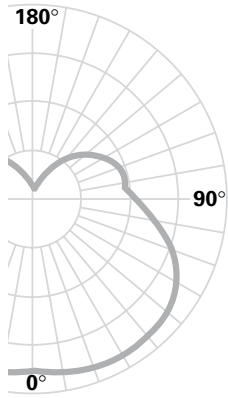
www.canlyte.com

R0-07/08

4-1/4" wide x 1-5/8" deep x 24", 36", 48", 96" lengths
1 or 2 lamps in a luminaire cross-section T8 or T12 lamp

Performance

CANDLEPOWER CURVE 120



CANDLEPOWER

ZONE DEG	CANDLEPOWER				
	ALONG	22.5	45	67.5	ACROSS
0	993	993	993	993	993
5	999	994	1004	999	982
15	971	978	995	1021	1014
25	905	930	973	1011	1029
35	794	838	943	1021	1039
45	659	734	892	994	1020
55	504	629	805	927	968
65	341	497	702	851	903
75	178	362	594	692	718
85	47	204	343	457	486
90	12	135	278	377	406
95	20	168	337	436	472
105	22	140	331	492	534
115	18	93	281	373	426
125	10	64	217	332	361
135	22	28	135	237	276
145	19	22	62	137	145
155	27	24	13	42	46
165	30	24	18	3	2
175	22	20	20	12	0
180	0	0	0	0	0

REPORT NO: G86118
CAT. NO: SB248120LE
2.2F40T12/CW at 3150 lumens
Efficiency: 89.7%
Candela at Nadir: 993cd

COEFFICIENTS OF UTILIZATION

ZONAL CAVITY METHOD * EFFECTIVE FLOOR CAVITY REFLECTANCE = .20

Room Cavity Ratio	Wall Reflectance								
	80			50			30		
	70	50	30	50	30	10	50	30	10
1	92	87	82	76	73	70	69	67	64
2	83	75	68	65	60	56	59	55	52
3	75	65	57	57	51	46	52	47	43
4	68	57	49	50	44	39	46	41	36
5	62	50	42	44	37	32	40	35	30
6	57	44	36	39	32	27	36	30	26
7	52	40	31	35	28	24	32	26	22
8	48	35	28	31	25	20	29	23	19
9	44	32	24	28	22	17	26	20	16
10	41	29	21	26	19	15	23	18	14

DETERMINED IN ACCORDANCE WITH CURRENT IES PUBLISHED PROCEDURES
LUMINAIRE INPUT WATTS = 60.2

DISTRIBUTION

ZONE	LUMENS	% LAMP	% LUMINAIRE
0-30	825	13.99	14.83
0-40	1406	23.85	25.28
0-60	2766	46.88	49.71
0-90	4327	73.34	77.76
40-90	2920	49.50	52.48
60-90	1561	26.46	28.05
90-180	1237	20.97	22.24
0-180	5564	94.32	100.00

Options/Accessories



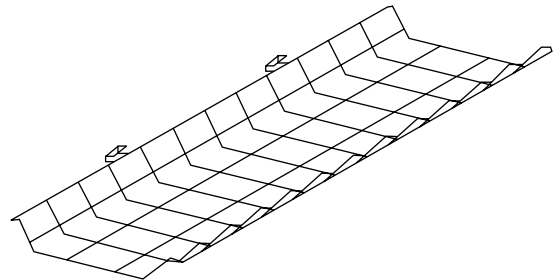
STEM AND CANOPY SETS
Suspends luminaire 12", 18", 24", 36", 48" from surface and can be used in conjunction with Heavy Duty Slide Grip Hanger.
Catalogue Number:
STKF12 (12"), **STKF18** (18"), **STKF24** (24"), **STKF36** (36"), **STKF48** (48").



CANOPY SPACER (1-1/2")
Suspends luminaire approximately 1-1/2" from surface.
Catalogue Number: **STSK**



CHAIN HANGER KIT
Two 18" heavy duty link chains with sturdy "V" hooks that grip luminaires at four knockout points for level suspension.
Catalogue Number: **EE9HC** (for SB, EE, FF luminaires)



WIRE GUARDS
Hinge and latch positive-lock construction, complete with longitudinal and transverse struts for secure protection.
Cat. Number Luminaire
SB8G2-36 SB236, SB1W3
SB8G2-48 SB248, SB1W4
SB248T & SB1W4T (order 2)
SB196F & SB296F (order 2)

Job Information **Type:**

CFI Fluorescent
525 Education Road, Cornwall, Ontario K6H 6C7 • (613) 938-6221 • Fax (613) 938-0961
We reserve the right to change details of design, materials and finish.
© 2008 Philips Group • **F1-0420-06 Rev 01.pdf**

Canlyte www.canlyte.com
3015 Louis-Amos, Lachine, Québec H8T 1C4 • (514) 636-0670 • (514) 636-0460