

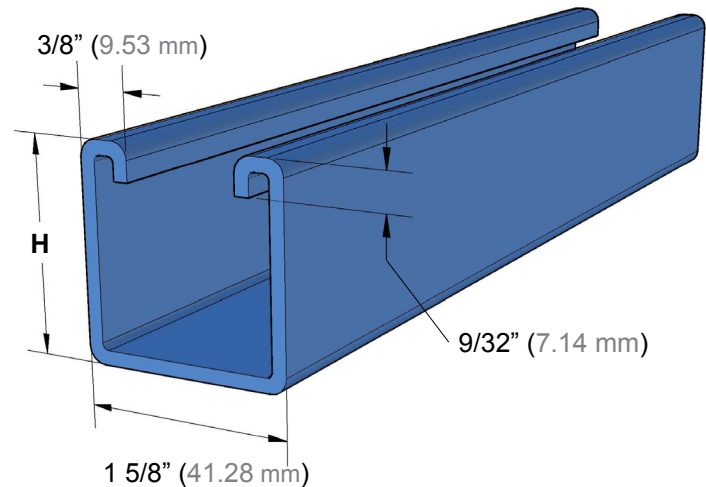
# STRUT CHANNEL

Sasco offers an extensive range of sizes, gauges and multiple combinations of strut channels. Each channel incorporates a continuous slot along the full length and inturred edges that allow infinite design possibilities and cost effective installations. Standard lengths are 10 feet (-120) and 20 feet (-240). Custom lengths are also available. Many Sasco Strut Channels are CSA certified for use as electrical raceways when used as outlined on [page 33](#).

## SINGLE CHANNEL

### STEEL

| Channel Prefix | H      |       | Thickness (Ga.) |
|----------------|--------|-------|-----------------|
|                | (In)   | (mm)  |                 |
| <b>S9</b>      | 3 1/4  | 82.55 | 12              |
| <b>S1</b>      | 2 7/16 | 61.91 | 12              |
| <b>S2</b>      | 1 5/8  | 41.28 | 12              |
| <b>S4</b>      | 1 5/8  | 41.28 | 14              |
| <b>S3</b>      | 1 5/8  | 41.28 | 16              |
| <b>S8</b>      | 1 3/8  | 34.93 | 12              |
| <b>S5</b>      | 1      | 25.40 | 12              |
| <b>S7</b>      | 13/16  | 20.64 | 14              |
| <b>S6</b>      | 13/16  | 20.64 | 16              |



Finishes:

|                           |    |
|---------------------------|----|
| Pre-galvanized (standard) | G  |
| Hot Dip Galvanized        | HG |
| Plain Steel               | P  |

Add finish and length in inches to Channel Prefix above for Catalogue No. (S2G-120).

Single channel strut can be cut to custom lengths at the factory.

Special coatings (paint, epoxy, PVC) can be supplied to your specification.

Steel Strut Channels are roll formed from 33,000 psi steel.

Engineering data [page 39](#).

### ALUMINUM

| Catalogue Prefix | H        |       | Thickness (Inches) | Alloy/Temper |
|------------------|----------|-------|--------------------|--------------|
|                  | (Inches) | (mm)  |                    |              |
| <b>S1AL-</b>     | 2 7/16   | 61.91 | 0.081              | 6063/T5      |
| <b>S2AL-</b>     | 1 5/8    | 41.28 | 0.081              | 6063/T5      |
| <b>SH2AL-</b>    | 1 5/8    | 41.28 | 0.103              | 6005A/T5     |
| <b>S6AL-</b>     | 13/16    | 20.64 | 0.070              | 6063/T5      |

Aluminum Strut Channels are extruded.

Add length in inches to Catalogue Prefix when ordering (S1AL-120).

Standard lengths are 10 feet (-120) and 20 feet (-240).

Single channel strut can be cut to custom lengths at the factory.

### STAINLESS STEEL

| Catalogue Prefix | H        |       | Thickness (Inches) | Type |
|------------------|----------|-------|--------------------|------|
|                  | (Inches) | (mm)  |                    |      |
| <b>S2SS4</b>     | 1 5/8    | 41.28 | 0.090              | T304 |
| <b>S2SS6</b>     | 1 5/8    | 41.28 | 0.090              | T316 |
| <b>S5SS4</b>     | 1        | 25.40 | 0.090              | T304 |
| <b>S5SS6</b>     | 1        | 25.40 | 0.090              | T316 |

Strut Channels other than S2 and S5 are available in stainless steel T304 and T316. Consult Sasco for availability.

Single channel strut can be cut to custom lengths at the factory.

# STRUT CHANNEL: COMBINATIONS

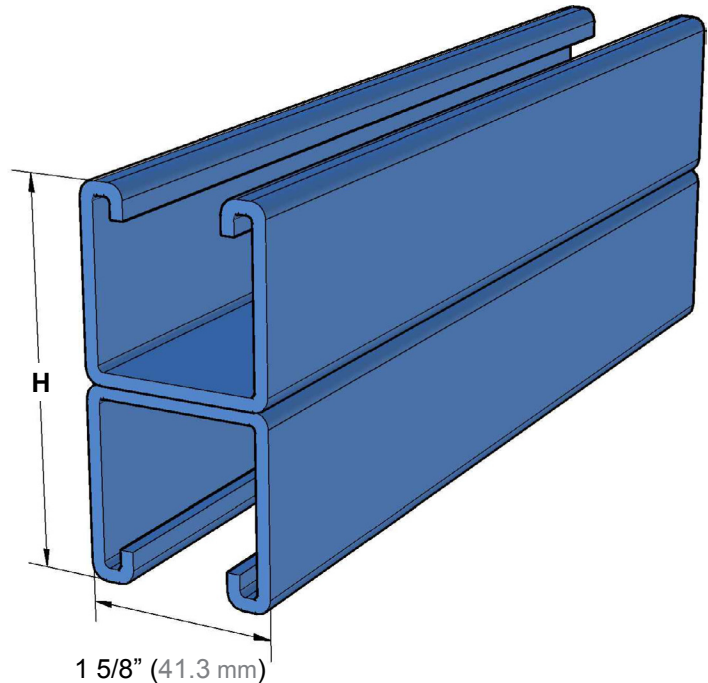
## BACK-TO-BACK

### STEEL

| Channel Prefix | H (Inches) | H (mm) | Thickness (Ga.) |
|----------------|------------|--------|-----------------|
| <b>S9BB-</b>   | 6 1/2      | 165.10 | 12              |
| <b>S1BB-</b>   | 4 7/8      | 123.83 | 12              |
| <b>S2BB-</b>   | 3 1/4      | 82.55  | 12              |
| <b>S4BB-</b>   | 3 1/4      | 82.55  | 14              |
| <b>S3BB-</b>   | 3 1/4      | 82.55  | 16              |
| <b>S8BB-</b>   | 2 3/4      | 69.85  | 12              |
| <b>S5BB-</b>   | 2          | 50.80  | 12              |
| <b>S7BB-</b>   | 1 5/8      | 41.28  | 14              |
| <b>S6BB-</b>   | 1 5/8      | 41.28  | 16              |

Finishes:

|                           |    |
|---------------------------|----|
| Pre-galvanized (standard) | G  |
| Hot Dip Galvanized        | HG |
| Plain Steel               | P  |



Back-to-back Steel Strut Channels are spot welded on approx. 3" centres.

Standard lengths are 10 feet (-120) and 20 feet (-240).

Back-to-back strut can be cut to custom lengths at the factory.

Add finish and length in inches to Channel Prefix above for Catalogue No. (S2BB-G-120).

Special coatings (paint, epoxy, PVC) can be supplied to your specification.

Engineering data [page 39](#).

### ALUMINUM

| Catalogue Prefix | H (Inches) | H (mm) | Thickness (Ga.) | Alloy/Temper |
|------------------|------------|--------|-----------------|--------------|
| <b>S2BB-AL</b>   | 3 1/4      | 82.55  | 0.081           | 6063/T5      |

Back-to-back Aluminum Strut Channel is extruded. Add length in inches to Channel Prefix when ordering (S2BB-AL120).

Standard lengths are 10 feet (-120) and 20 feet (-240).

Back-to-back strut can be cut to custom lengths at the factory.

### STAINLESS STEEL

| Catalogue Prefix | H (Inches) | H (mm) | Thickness (Ga) | Type |
|------------------|------------|--------|----------------|------|
| <b>S2BBSS4</b>   | 3 1/4      | 82.55  | 0.090          | T304 |
| <b>S2BBSS6</b>   | 3 1/4      | 82.55  | 0.090          | T316 |
| <b>S5BBSS4</b>   | 2          | 50.80  | 0.090          | T304 |
| <b>S5BBSS6</b>   | 2          | 50.80  | 0.090          | T316 |

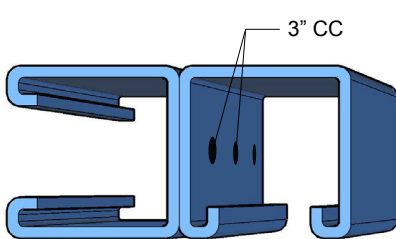
Strut Channels other than S2 and S5 are available in stainless steel T304 and T316. Consult Sasco for availability.

Back-to-back stainless steel channels are spot welded on approximately 3" centres.

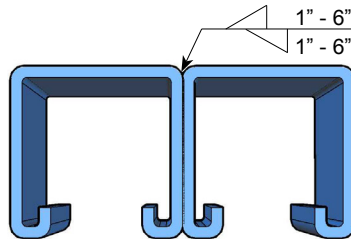
Back-to-back strut can be cut to custom lengths at the factory.

## STRUT CHANNEL: OTHER COMBINATIONS

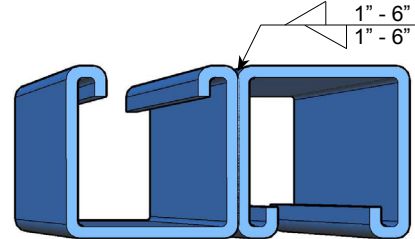
OTHER DOUBLE CHANNEL STEEL AND STAINLESS STEEL COMBINATIONS:



**BACK-TO-SIDE**



**SIDE-TO-SIDE**



**ONE-UP-ONE-DOWN**

Back-to-side (**BS-**) combination strut is spot welded on approximately 3" centers. Side-to-side (**SS-**) and one-up-one-down (**UN-**) combinations are seam welded on ends and on staggered 6" centres (1" bead).

For part numbers, write Single Channel Prefix (page 1), Combination Code (BS-, SS- or UN-), and add finish and length in inches. Similar to Back-to-Back Catalogue Numbers (S2SS-G-120).

Triple combinations in steel and stainless steel are also available. For more details, contact Sasco.

## STRUT CHANNEL: PRE-PUNCHED

### STRUT CHANNEL: KNOCK-OUT

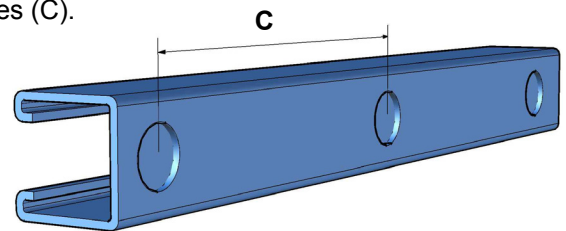
Sasco Knock-Out Channels are CSA certified for use as electrical raceways when used as outlined on [page 33](#).

Knock-outs are 7/8" (22.2 mm) diameter on 6" (152.4 mm) centres (C).

Only available in S2 strut channel.

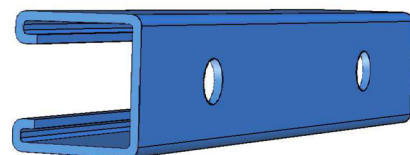
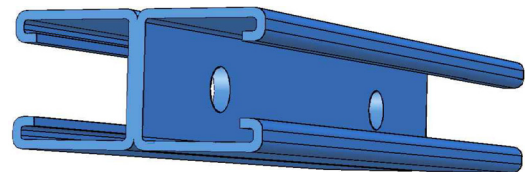
Standard finish is pre-galvanized (G).

Add suffix **KO6**, finish and length in inches to Channel Prefix for Catalogue Number (S2KO6G-120).



### TRAPEZE SUPPORTS

Manufactured to meet your requirements. Specify Strut Channel and length, as well as the slot or hole pattern (see Pre-punched Channel on [page 3](#)).



# STRUT CHANNEL: PRE-PUNCHED

## SLOTS

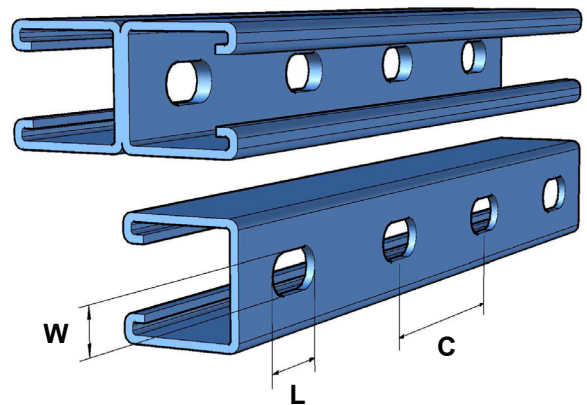
Sasco's Slotted Strut Channels provide adjustment for wall mounting, constructing trapeze supports and other suspension and mounting applications. Available in most single and back to back steel and stainless steel sizes and finishes. Slotted aluminum available in single channel only.

| Catalogue Suffix | Slot Size |      |          |      | Centres (C) |       |
|------------------|-----------|------|----------|------|-------------|-------|
|                  | (Inches)  | (mm) | (Inches) | (mm) | (Inches)    | (mm)  |
| <b>SL2</b>       | 9/16      | 14.3 | 1 1/8    | 28.6 | 2           | 50.8  |
| <b>SL4</b>       | 13/32     | 10.3 | 3        | 76.2 | 4           | 101.6 |
| <b>SL6</b>       | 11/16     | 17.5 | 1 1/8    | 28.6 | 4           | 101.6 |
| <b>SL9</b>       | 9/16      | 14.3 | 3        | 76.2 | 4           | 101.6 |

Standard finish for steel is pre-galvanized (-G). Also available in hot dip galvanized (HG) and in plain steel (P).

For availability of slots in stainless steel (SS), aluminum (AL) and fiberglass (FG), please consult Sasco.

Add suffix above, finish and length in inches to Channel Prefix for catalogue number (S2SL2-G120).

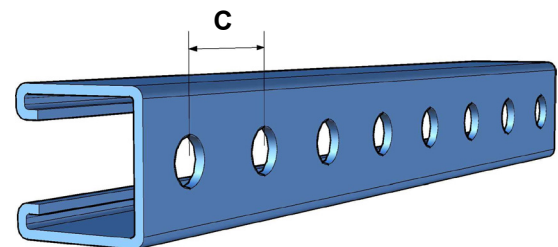


## HOLES

Sasco's Pre-Punched Strut Channels facilitate installation of wall mounts, trapeze hangers and other suspension and mounting applications.

| Catalogue Suffix | Hole Diameter |      | Centres (C) |      |
|------------------|---------------|------|-------------|------|
|                  | (Inches)      | (mm) | (Inches)    | (mm) |
| <b>H112</b>      | 9/16          | 14.3 | 1 1/2       | 38.1 |

Standard finish for steel is pre-galvanized (-G). Also manufactured in hot dip galvanized (HG), stainless steel (SS) and aluminum (AL). Contact Sasco for availability. Add suffix above, finish and length in inches to Channel Prefix for Catalogue No. (S2H112-G120).



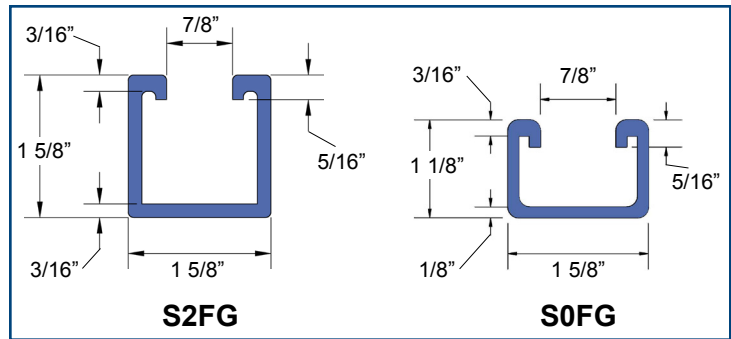
## MINI STRUT CHANNEL

Sasco offers a selection of Mini Strut Channels 13/16" wide.

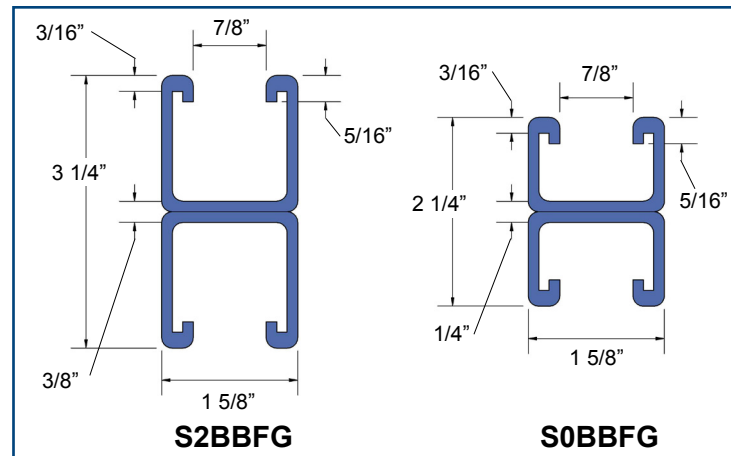
See [page 38](#) for more information and fittings.

## STRUT CHANNEL: FIBREGLASS

| Catalogue Prefix | Height   |       | Side Wall Thickness (Inches) |
|------------------|----------|-------|------------------------------|
|                  | (Inches) | (mm)  |                              |
| <b>S0FG</b>      | 1 1/8"   | 28.58 | 0.1250                       |
| <b>S2FG</b>      | 1 5/8"   | 41.28 | 0.1875                       |



| Catalogue Prefix | Height   |       | Side Wall Thickness (Inches) |
|------------------|----------|-------|------------------------------|
|                  | (Inches) | (mm)  |                              |
| <b>S0BB-FG</b>   | 2 1/4"   | 57.15 | 0.1250                       |
| <b>S2BB-FG</b>   | 3 1/4"   | 82.55 | 0.1875                       |



Available standard in polyester resin (-P) and upon request in vinylester resin (-V). Consult Sasco for engineering and corrosion data. Standard length is 10 feet (-120). Custom lengths available.

Add resin type and length in inches to Catalogue Prefix when ordering (S2FG-P-120).

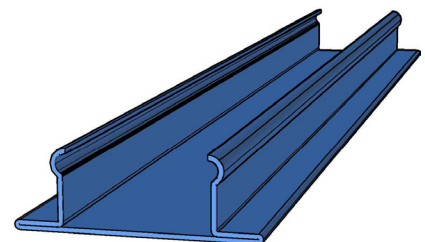
## CLOSURE STRIP

Sasco Closure Strip is designed to snap into the continuous slot of all 1 5/8" wide Srtut Channels including steel, stainless steel, aluminum and fiberglass. Due to the design of the self-retaining feature, Sasco Closure Strip can be removed by prying with a tool, such as a screw driver.

Steel Closure Strip is CSA certified for use on electrical raceways when used as outlined on [page 33](#).

Lengths: 10' (3048 mm)

Finishes: Pre-galvanized part number **S158CS-G** (CSA Certified)  
Plastic (rigid PVC) part number **S158CSPLAS** (not CSA Certified)



## STRUT CHANNEL: CONCRETE INSERT - STEEL

Sasco's Concrete Insert Strut Channels installed in reinforced concrete provide a continuous slot for the precise location of cable, conduit, pipe, hanger rods or frames.

Install Sasco Concrete Insert Strut Channel across the anticipated area of use to save time and money by eliminating the need to drill and install anchors. Use in walls, floors and ceilings.

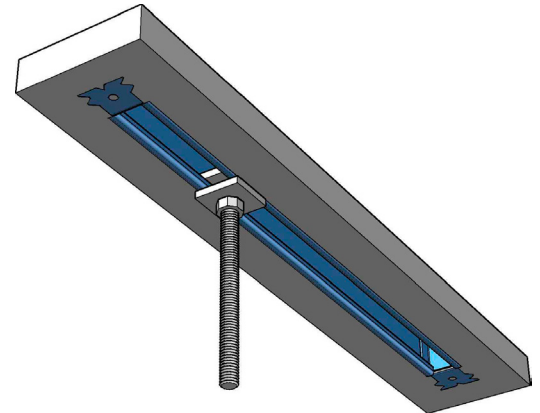
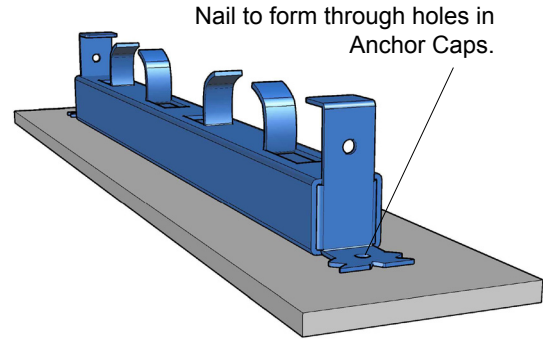
All inserts are shipped complete with two Anchor Caps and foam filler. This filler resists the entrance of wet concrete and is easily removed.

| Catalogue Prefix | Height   |      | Maximum Allowable Point Load* |        |
|------------------|----------|------|-------------------------------|--------|
|                  | (Inches) | (mm) | (Lbs/ft)                      | (kg/m) |
| <b>S2CI-</b>     | 1 5/8    | 41.3 | 2000                          | 2975   |
| <b>S5CI-</b>     | 1        | 25.4 | 1750                          | 2600   |

\*Based on 3500 psi concrete and a safety factor of 3. The minimum spacing between point loads is 12". Reduce load by 50% if load is located within 2" of an end.

Standard finish is pre-galvanized (-G)\*\*. Also available in hot dip galvanized (HG)\*\*. \*\*Note: Anchor Caps are electroplated zinc.

Add finish and length in inches to Catalogue Prefix above for Catalogue No. (S2CI-36-G). For lengths less than 10 inches (254 mm), see Spot Inserts below.

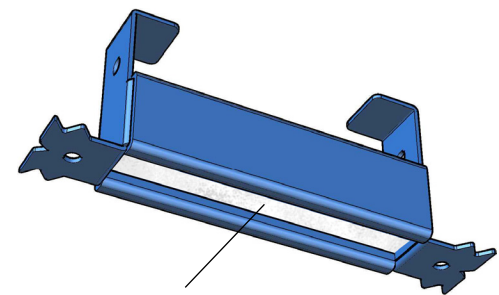


Remove form.  
Remove filler.  
Insert Clamping Nuts and install rod or fitting.

## SPOT INSERTS

| Catalogue Prefix | Length   |       | Maximum Allowable Point Load* |       |
|------------------|----------|-------|-------------------------------|-------|
|                  | (Inches) | (mm)  | (Lbs)                         | (kg)  |
| <b>S2CI-3-</b>   | 3        | 76.2  | 500                           | 226.8 |
| <b>S2CI-6-</b>   | 6        | 152.4 | 1000                          | 453.6 |
| <b>S2CI-9-</b>   | 9        | 228.6 | 1200                          | 544.3 |
| <b>S5CI-3-</b>   | 3        | 76.2  | 400                           | 181.4 |
| <b>S5CI-6-</b>   | 6        | 152.4 | 750                           | 340.2 |
| <b>S5CI-9-</b>   | 9        | 228.6 | 1000                          | 453.6 |

\*Based on 3500 psi concrete and a safety factor of 3. Finishes specified as above (S2CI-6-G).

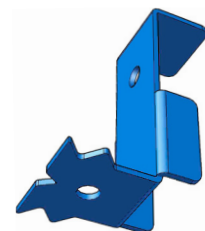


Removable foam filler

## CONCRETE INSERT ANCHOR CAPS

**S2CI-EG** for use with S2CI- Concrete Insert Strut Channel.

**S5CI-EG** for use with S5CI- Concrete Insert Strut Channel.



## PIPE CLAMPS

Sasco's Two-Piece Pipe Clamps provide ease of installation and infinite adjustability along the channel's continuous slot. 20 to 30% more conduits can be mounted in a given area compared to U-bolts, and up to 40% more than with one-hole pipe straps. These Two-Piece Pipe Clamps may be used with all sizes of 1 5/8" wide Sasco Strut Channel.

### For Thin Wall Conduit (EMT):

| Conduit Size (Inches) | Outside Diameter (Inches) | Outside Diameter (mm) | Catalogue Prefix |
|-----------------------|---------------------------|-----------------------|------------------|
| 3/8                   | 0.577                     | 14.66                 | <b>S38TW</b>     |
| 1/2                   | 0.706                     | 17.93                 | <b>S12TW</b>     |
| 3/4                   | 0.922                     | 23.42                 | <b>S34TW</b>     |
| 1                     | 1.163                     | 29.54                 | <b>S1TW</b>      |
| 1 1/4                 | 1.510                     | 38.35                 | <b>S114TW</b>    |
| 1 1/2                 | 1.740                     | 44.20                 | <b>S112TW</b>    |
| 2                     | 2.197                     | 55.80                 | <b>S2TW</b>      |

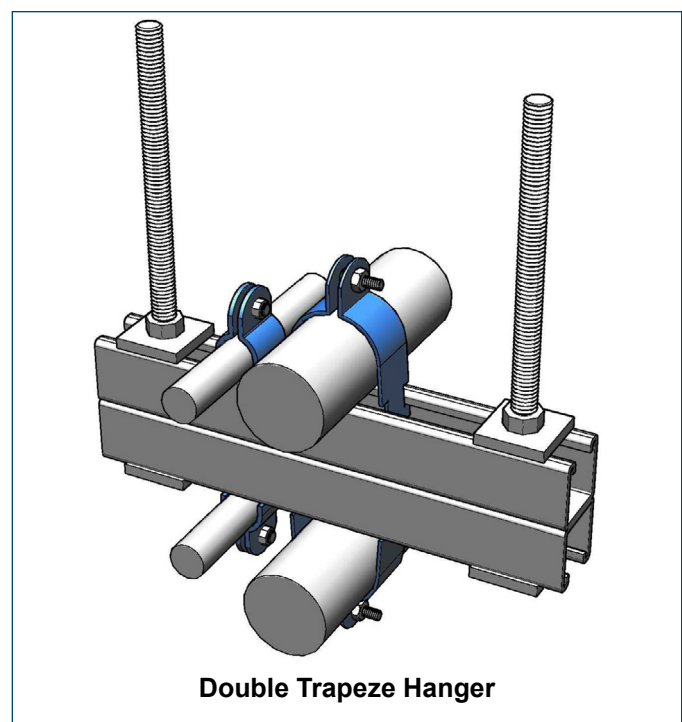
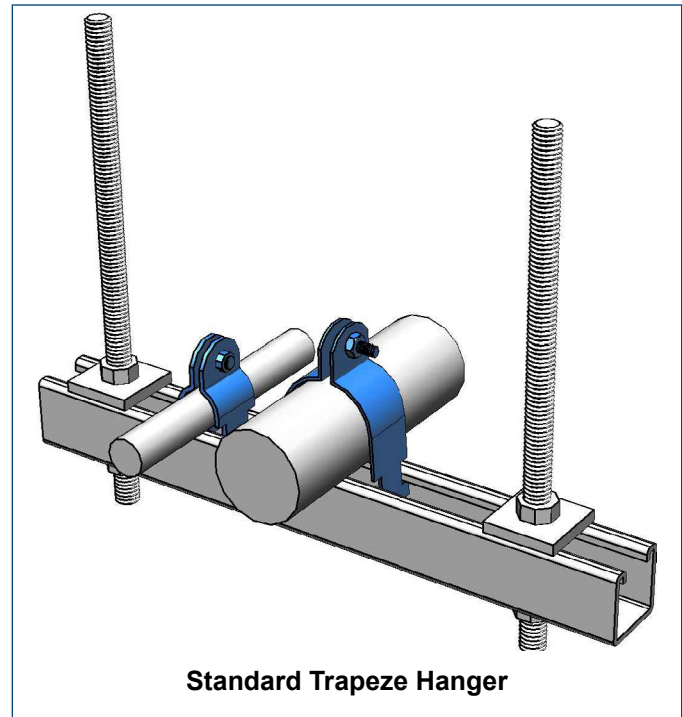
For sizes larger than 2" (50.8 mm), use equivalent Rigid Conduit Pipe Clamp.

### For Rigid Conduit:

| Conduit Size (Inches) | Outside Diameter (Inches) | Outside Diameter (mm) | Catalogue Prefix |
|-----------------------|---------------------------|-----------------------|------------------|
| 3/8                   | 0.675                     | 17.15                 | <b>S38R</b>      |
| 1/2                   | 0.840                     | 21.34                 | <b>S12R</b>      |
| 3/4                   | 1.050                     | 26.67                 | <b>S34R</b>      |
| 1                     | 1.315                     | 33.40                 | <b>S1R</b>       |
| 1 1/4                 | 1.660                     | 42.16                 | <b>S114R</b>     |
| 1 1/2                 | 1.900                     | 48.26                 | <b>S112R</b>     |
| 2                     | 2.375                     | 60.33                 | <b>S2R</b>       |
| 2 1/2                 | 2.875                     | 73.03                 | <b>S212R</b>     |
| 3                     | 3.500                     | 88.90                 | <b>S3R</b>       |
| 3 1/2                 | 4.000                     | 101.60                | <b>S312R</b>     |
| 4                     | 4.500                     | 114.30                | <b>S4R</b>       |
| 5                     | 5.563                     | 141.29                | <b>S5R</b>       |
| 6                     | 6.625                     | 168.28                | <b>S6R</b>       |
| 8                     | 8.625                     | 219.08                | <b>S8R</b>       |
| 10                    | 10.750                    | 273.05                | <b>S10.0R</b>    |
| 12                    | 12.750                    | 323.85                | <b>S12.0R</b>    |

#### Finishes:

|                           |     |
|---------------------------|-----|
| Pre-galvanized (standard) | -G  |
| Hot Dip Galvanized        | -HG |
| Stainless Steel Type 316  | -SS |
| Aluminum                  | -AL |
| Fibreglass                | -FG |



Add finish to Catalogue Prefix for Part No. (S38R-SS).

# PIPE CLAMPS

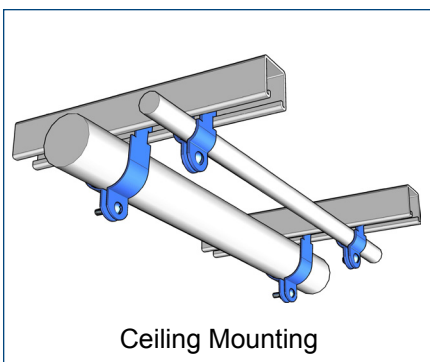
Sasco Outside Diameter Pipe Clamps are typically used for tubing, glass pipe, transite pipe, fibre duct and cable.

| Outside Diameter (Inches) | Outside Diameter (mm) | Catalogue Prefix | Outside Diameter (Inches) | Outside Diameter (mm) | Catalogue Prefix | Outside Diameter (Inches) | Outside Diameter (mm) | Catalogue Prefix |
|---------------------------|-----------------------|------------------|---------------------------|-----------------------|------------------|---------------------------|-----------------------|------------------|
| 1/4                       | 6.35                  | <b>S14OD</b>     | 4 7/8                     | 123.83                | <b>S478OD</b>    | 8 7/8                     | 225.43                | <b>S878OD</b>    |
| 3/8                       | 9.53                  | <b>S38OD</b>     | 5                         | 127.00                | <b>S50D</b>      | 9                         | 228.60                | <b>S90D</b>      |
| 1/2                       | 12.70                 | <b>S12OD</b>     | 5 1/8                     | 130.18                | <b>S518OD</b>    | 9 1/8                     | 231.78                | <b>S918OD</b>    |
| 5/8                       | 15.88                 | <b>S58OD</b>     | 5 1/4                     | 133.35                | <b>S514OD</b>    | 9 1/4                     | 234.95                | <b>S914OD</b>    |
| 3/4                       | 19.05                 | <b>S34OD</b>     | 5 3/8                     | 136.53                | <b>S538OD</b>    | 9 3/8                     | 238.13                | <b>S938OD</b>    |
| 7/8                       | 22.23                 | <b>S78OD</b>     | 5 1/2                     | 139.70                | <b>S512OD</b>    | 9 1/2                     | 241.30                | <b>S912OD</b>    |
| 1                         | 25.40                 | <b>S10D</b>      | 5 5/8                     | 142.88                | <b>S558OD</b>    | 9 5/8                     | 244.48                | <b>S958OD</b>    |
| 1 1/8                     | 28.58                 | <b>S118OD</b>    | 5 3/4                     | 146.05                | <b>S534OD</b>    | 9 3/4                     | 247.65                | <b>S934OD</b>    |
| 1 1/4                     | 31.75                 | <b>S114OD</b>    | 5 7/8                     | 149.23                | <b>S578OD</b>    | 9 7/8                     | 250.83                | <b>S978OD</b>    |
| 1 3/8                     | 34.93                 | <b>S138OD</b>    | 6                         | 152.40                | <b>S60D</b>      | 10                        | 254.00                | <b>S100D</b>     |
| 1 1/2                     | 38.10                 | <b>S112OD</b>    | 6 1/8                     | 155.58                | <b>S618OD</b>    | 10 1/8                    | 257.18                | <b>S1018OD</b>   |
| 2                         | 50.80                 | <b>S20D</b>      | 6 1/4                     | 158.75                | <b>S614OD</b>    | 10 1/4                    | 260.35                | <b>S1014OD</b>   |
| 2 1/8                     | 53.98                 | <b>S218OD</b>    | 6 3/8                     | 161.93                | <b>S638OD</b>    | 10 3/8                    | 263.53                | <b>S1038OD</b>   |
| 2 1/4                     | 57.15                 | <b>S214OD</b>    | 6 1/2                     | 165.10                | <b>S612OD</b>    | 10 1/2                    | 266.70                | <b>S1012OD</b>   |
| 2 1/2                     | 63.50                 | <b>S212OD</b>    | 6 3/4                     | 171.45                | <b>S634OD</b>    | 10 5/8                    | 269.88                | <b>S1058OD</b>   |
| 2 5/8                     | 66.68                 | <b>S258OD</b>    | 6 7/8                     | 174.63                | <b>S678OD</b>    | 10 7/8                    | 276.23                | <b>S1078OD</b>   |
| 2 3/4                     | 69.85                 | <b>S234OD</b>    | 7                         | 177.80                | <b>S70D</b>      | 11                        | 279.40                | <b>S110D</b>     |
| 3                         | 76.20                 | <b>S30D</b>      | 7 1/8                     | 180.98                | <b>S718OD</b>    | 11 1/8                    | 282.58                | <b>S1118OD</b>   |
| 3 1/8                     | 79.38                 | <b>S318OD</b>    | 7 1/4                     | 184.15                | <b>S714OD</b>    | 11 1/4                    | 285.75                | <b>S1114OD</b>   |
| 3 1/4                     | 82.55                 | <b>S314OD</b>    | 7 3/8                     | 187.33                | <b>S738OD</b>    | 11 3/8                    | 288.93                | <b>S1138OD</b>   |
| 3 3/8                     | 85.73                 | <b>S338OD</b>    | 7 1/2                     | 190.50                | <b>S712OD</b>    | 11 1/2                    | 292.10                | <b>S1112OD</b>   |
| 3 5/8                     | 92.08                 | <b>S358OD</b>    | 7 5/8                     | 193.68                | <b>S758OD</b>    | 11 5/8                    | 295.28                | <b>S1158OD</b>   |
| 3 3/4                     | 95.25                 | <b>S334OD</b>    | 7 3/4                     | 196.85                | <b>S734OD</b>    | 11 3/4                    | 298.45                | <b>S1134OD</b>   |
| 3 7/8                     | 98.43                 | <b>S378OD</b>    | 7 7/8                     | 200.03                | <b>S778OD</b>    | 11 7/8                    | 301.63                | <b>S1178OD</b>   |
| 4 1/8                     | 104.78                | <b>S418OD</b>    | 8                         | 203.20                | <b>S80D</b>      | 12                        | 304.80                | <b>S12.00D</b>   |
| 4 1/4                     | 107.95                | <b>S414OD</b>    | 8 1/8                     | 206.38                | <b>S818OD</b>    | 12 1/8                    | 307.98                | <b>S1218OD</b>   |
| 4 3/8                     | 111.13                | <b>S438OD</b>    | 8 1/4                     | 209.55                | <b>S814OD</b>    | 12 1/4                    | 311.15                | <b>S1214OD</b>   |
| 4 5/8                     | 117.48                | <b>S458OD</b>    | 8 3/8                     | 212.73                | <b>S838OD</b>    | 12 3/8                    | 314.33                | <b>S1238OD</b>   |
| 4 3/4                     | 120.65                | <b>S434OD</b>    | 8 1/2                     | 215.90                | <b>S812OD</b>    | 12 1/2                    | 317.50                | <b>S1212OD</b>   |
|                           |                       |                  | 8 3/4                     | 222.25                | <b>S834OD</b>    | 12 5/8                    | 320.68                | <b>S1258OD</b>   |

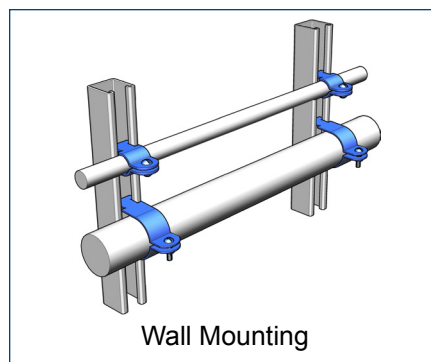
- Finishes:
- Pre-galvanized (standard) -G
  - Hot Dip Galvanized -HG
  - Stainless Steel Type 316 -SS
  - Aluminum -AL
  - Fibreglass -FG

Larger sizes available upon request.

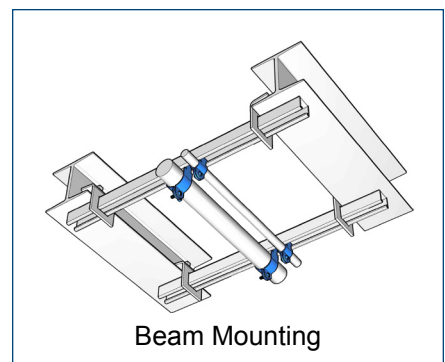
Add finish to Catalogue Prefix for Part No. (S14OD-SS).



Ceiling Mounting



Wall Mounting



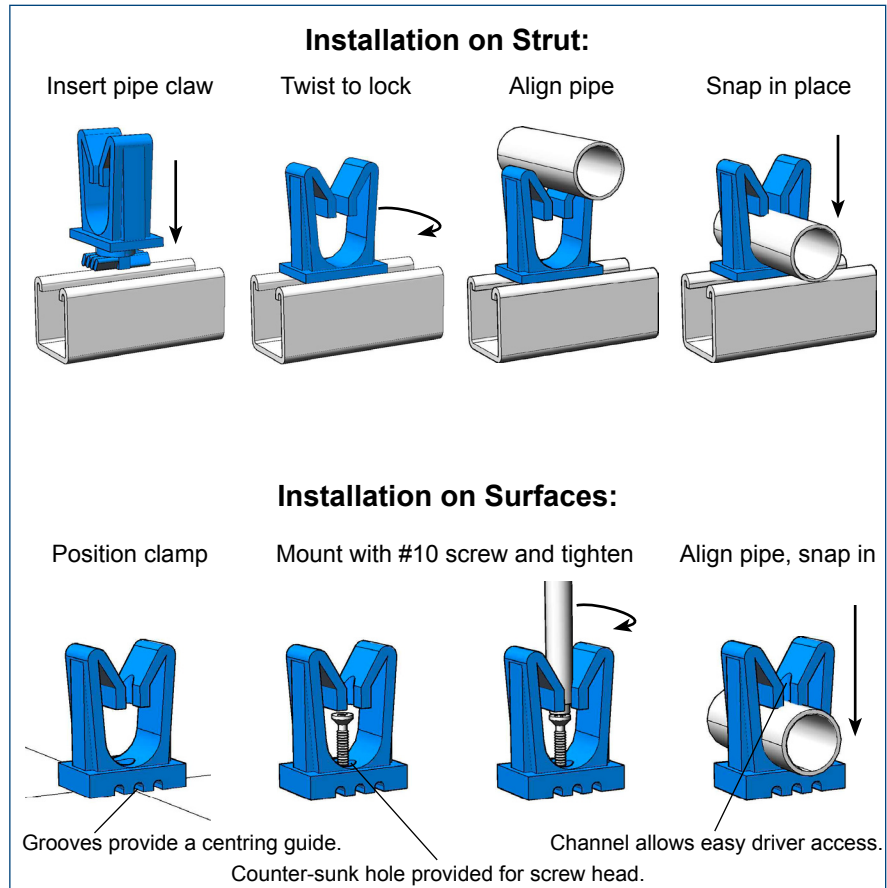
Beam Mounting



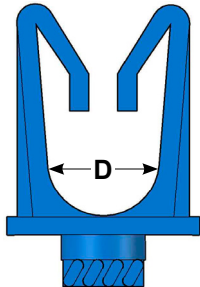
## PIPE CLAWS

Sasco Pipe Claws are designed to grab on to tube, pipe or hose and hold it in place. The unique one-piece patent pending design allows for quick, simple and easy installation. They will not rust because they are molded from TPE (thermoplastic elastomer).

- Quick, simple and easy snap-in of tube, pipe or hose. No tools required.
- Sure Grip base easily rotates into Strut Channel. No tools required.
- TPE (thermoplastic elastomer) will not corrode, and is non-conducting.
- Temp. range of -46 to 135 °C (-50 to 275 °F).
- Works great for interior and exterior applications.
- Seven sizes of tube, and three sizes of EMT.
- Designed for light duty loads and applications.
- Prevents galvanic corrosion of dissimilar metals.
- An excellent alternative to plain, stainless, hot dip galvanized, pre-galvanized steel, or aluminum clamps.

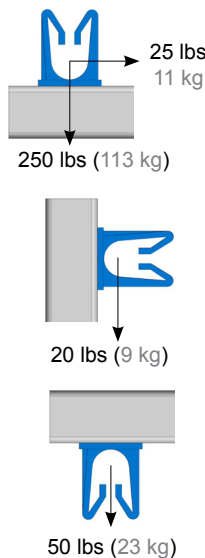


### Sasco Pipe Claw for Strut Mounting

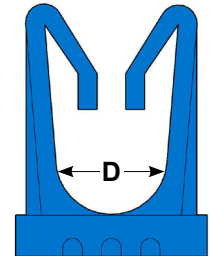


| For Pipe (Inches) | D (diameter) (Inches) | (mm)  | Catalogue No.    |
|-------------------|-----------------------|-------|------------------|
| 1/4 OD            | 0.250                 | 6.35  | <b>S14OD-CL</b>  |
| 3/8 OD            | 0.375                 | 9.53  | <b>S38OD-CL</b>  |
| 1/2 OD            | 0.500                 | 12.70 | <b>S12OD-CL</b>  |
| 5/8 OD            | 0.625                 | 15.88 | <b>S58OD-CL</b>  |
| 3/4 OD            | 0.750                 | 19.05 | <b>S34OD-CL</b>  |
| 7/8 OD            | 0.875                 | 22.23 | <b>S78OD-CL</b>  |
| 1 1/8 OD          | 1.125                 | 28.58 | <b>S118OD-CL</b> |
| 1/2 EMT           | 0.706                 | 17.93 | <b>S12TW-CL</b>  |
| 3/4 EMT           | 0.922                 | 23.42 | <b>S34TW-CL</b>  |
| 1 EMT             | 1.163                 | 29.54 | <b>S1TW-CL</b>   |

### Design Loads:



### Sasco Pipe Claw for Surface Mounting



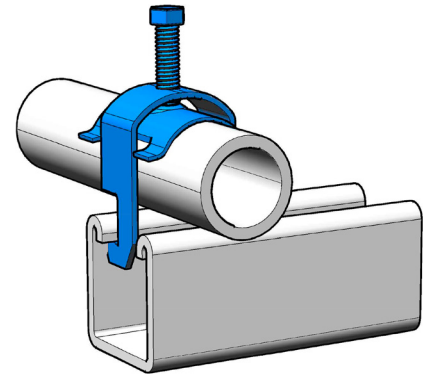
| For Pipe (Inches) | D (diameter) (Inches) | (mm)  | Catalogue No.     |
|-------------------|-----------------------|-------|-------------------|
| 1/4 OD            | 0.250                 | 6.35  | <b>S14OD-CLH</b>  |
| 3/8 OD            | 0.375                 | 9.53  | <b>S38OD-CLH</b>  |
| 1/2 OD            | 0.500                 | 12.70 | <b>S12OD-CLH</b>  |
| 5/8 OD            | 0.625                 | 15.88 | <b>S58OD-CLH</b>  |
| 3/4 OD            | 0.750                 | 19.05 | <b>S34OD-CLH</b>  |
| 7/8 OD            | 0.875                 | 22.23 | <b>S78OD-CLH</b>  |
| 1 1/8 OD          | 1.125                 | 28.58 | <b>S118OD-CLH</b> |
| 1/2 EMT           | 0.706                 | 17.93 | <b>S12TW-CLH</b>  |
| 3/4 EMT           | 0.922                 | 23.42 | <b>S34TW-CLH</b>  |
| 1 EMT             | 1.163                 | 29.54 | <b>S1TW-CLH</b>   |

# ONE-PIECE CABLE CLAMPS

Sasco One-Piece Cable Clamps secure conduit and cables to both 1 5/8" wide Sasco Strut Channels, and ventilated or ladder cable tray. One-piece construction facilitates fast installation and a range of adjustment allows one cable clamp size to accommodate a range of cable sizes.

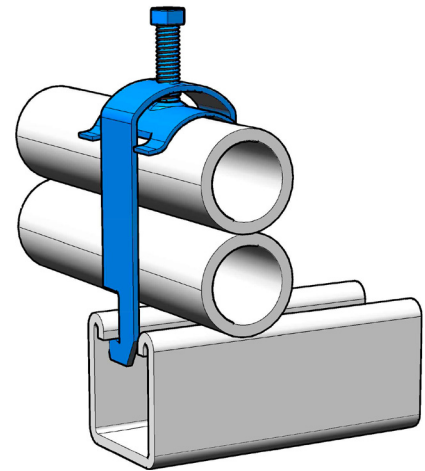
## Clamps for Single Cables or Conduits:

| Catalogue Prefix | Outside Dia. Range (In.) | Rigid Conduit |          | EMT Conduit (In) |
|------------------|--------------------------|---------------|----------|------------------|
|                  |                          | Min (In)      | Max (In) |                  |
| <b>S055</b>      | 0.050 - 0.625            | -             | -        | 3/8              |
| <b>S081</b>      | 0.310 - 0.875            | 3/8           | 1/2      | 3/8 - 1/2        |
| <b>S125</b>      | 0.750 - 1.313            | 1/2           | 3/4      | 3/4 - 1          |
| <b>S135</b>      | 0.850 - 1.375            | 3/4           | 1        | 3/4 - 1          |
| <b>S175</b>      | 1.250 - 1.875            | 1             | 1 1/4    | 1 1/4 - 1 1/2    |
| <b>S225</b>      | 1.750 - 2.250            | 1 1/2         | 1 1/2    | 2                |
| <b>S275</b>      | 2.250 - 2.875            | 2             | 2 1/2    | -                |
| <b>S325</b>      | 2.750 - 3.250            | 2 1/2         | 2 1/2    | -                |
| <b>S375</b>      | 3.250 - 3.813            | 3             | 3        | -                |
| <b>S425</b>      | 3.750 - 4.500            | 3 1/2         | 4        | -                |
| <b>S475</b>      | 4.250 - 4.938            | 4             | 4        | -                |



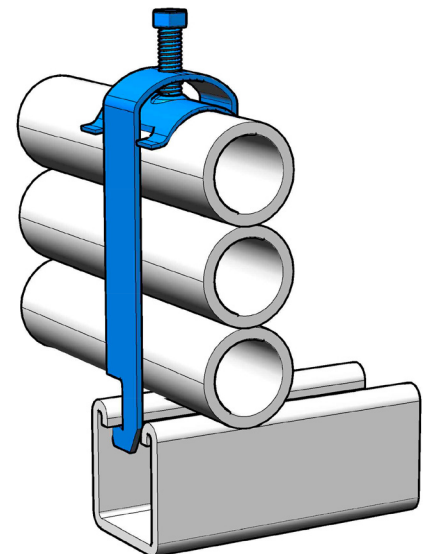
## Clamps for Two Cables or Conduits:

Available in the above listed sizes. Add suffix **D** to the Catalogue Prefix for the matching outside diameter in the table (S125D).



## Clamps for Three Cables or Conduits:

Available in the above listed sizes. Add suffix **T** to the Catalogue Prefix for the matching outside diameter in the table (S125T).



### Finishes:

|                           |     |
|---------------------------|-----|
| Pre-galvanized (standard) | -G  |
| Aluminum                  | -AL |
| Stainless Steel Type 316  | -SS |

Add finish to Catalogue Prefix for Part No. (S125T-SS).

To protect cables on the bearing surface of the strut channel or tray, Counter Beds are available. For the Catalogue Number, add the suffix **BED** to the required Cable Clamp Catalogue Prefix (S125BED).

