

STRUT CHANNEL: PRE-PUNCHED

SLOTS

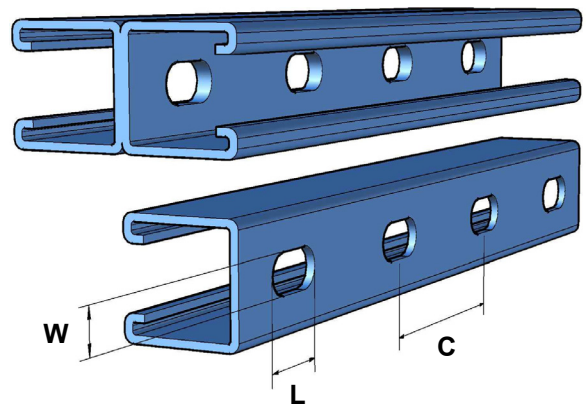
Sasco's Slotted Strut Channels provide adjustment for wall mounting, constructing trapeze supports and other suspension and mounting applications. Available in most single and back to back steel and stainless steel sizes and finishes. Slotted aluminum available in single channel only.

Catalogue Suffix	Slot Size				Centres (C)	
	(Inches)	(mm)	(Inches)	(mm)	(Inches)	(mm)
SL2	9/16	14.3	1 1/8	28.6	2	50.8
SL4	13/32	10.3	3	76.2	4	101.6
SL6	11/16	17.5	1 1/8	28.6	4	101.6
SL9	9/16	14.3	3	76.2	4	101.6

Standard finish for steel is pre-galvanized (-G). Also available in hot dip galvanized (HG) and in plain steel (P).

For availability of slots in stainless steel (SS), aluminum (AL) and fibreglass (FG), please consult Sasco.

Add suffix above, finish and length in inches to Channel Prefix for catalogue number (S2SL2-G120).

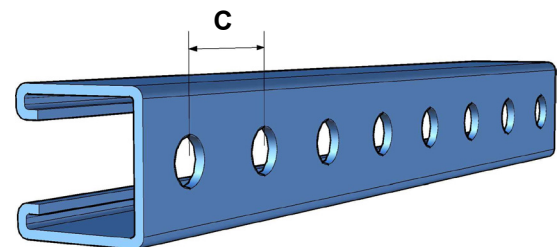


HOLES

Sasco's Pre-Punched Strut Channels facilitate installation of wall mounts, trapeze hangers and other suspension and mounting applications.

Catalogue Suffix	Hole Diameter		Centres (C)	
	(Inches)	(mm)	(Inches)	(mm)
H112	9/16	14.3	1 1/2	38.1

Standard finish for steel is pre-galvanized (-G). Also manufactured in hot dip galvanized (HG), stainless steel (SS) and aluminum (AL). Contact Sasco for availability. Add suffix above, finish and length in inches to Channel Prefix for Catalogue No. (S2H112-G120).



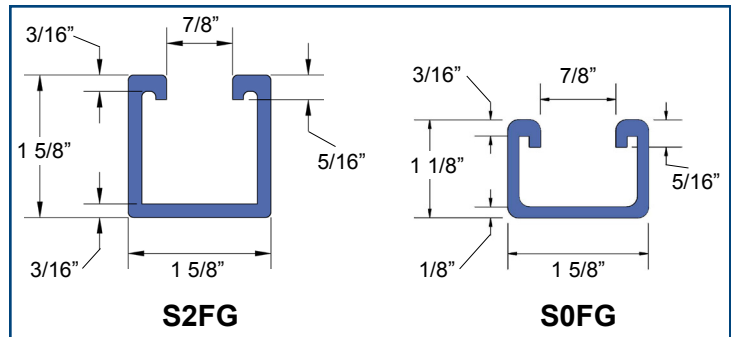
MINI STRUT CHANNEL

Sasco offers a selection of Mini Strut Channels 13/16" wide.

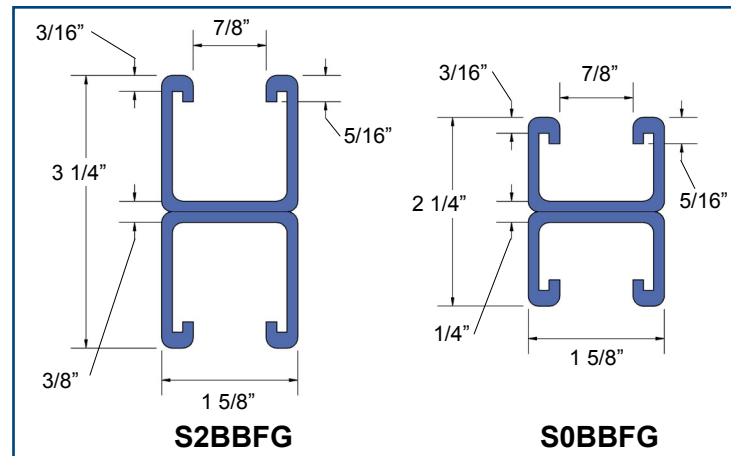
See [page 38](#) for more information and fittings.

STRUT CHANNEL: FIBREGLASS

Catalogue Prefix	Height		Side Wall Thickness
	(Inches)	(mm)	(Inches)
S0FG	1 1/8"	28.58	0.1250
S2FG	1 5/8"	41.28	0.1875



Catalogue Prefix	Height		Side Wall Thickness
	(Inches)	(mm)	(Inches)
S0BB-FG	2 1/4"	57.15	0.1250
S2BB-FG	3 1/4"	82.55	0.1875



Available standard in polyester resin (-P) and upon request in vinylester resin (-V). Consult Sasco for engineering and corrosion data. Standard length is 10 feet (-120). Custom lengths available.

Add resin type and length in inches to Catalogue Prefix when ordering (S2FG-P-120).

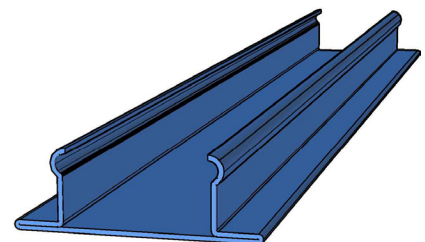
CLOSURE STRIP

Sasco Closure Strip is designed to snap into the continuous slot of all 1 5/8" wide Srtut Channels including steel, stainless steel, aluminum and fiberglass. Due to the design of the self-retaining feature, Sasco Closure Strip can be removed by prying with a tool, such as a screw driver.

Steel Closure Strip is CSA certified for use on electrical raceways when used as outlined on [page 33](#).

Lengths: 10' (3048 mm)

Finishes: Pre-galvanized part number **S158CS-G** (CSA Certified)
Plastic (rigid PVC) part number **S158CSPLAS** (not CSA Certified)



STRUT CHANNEL: CONCRETE INSERT - STEEL

Sasco's Concrete Insert Strut Channels installed in reinforced concrete provide a continuous slot for the precise location of cable, conduit, pipe, hanger rods or frames.

Install Sasco Concrete Insert Strut Channel across the anticipated area of use to save time and money by eliminating the need to drill and install anchors. Use in walls, floors and ceilings.

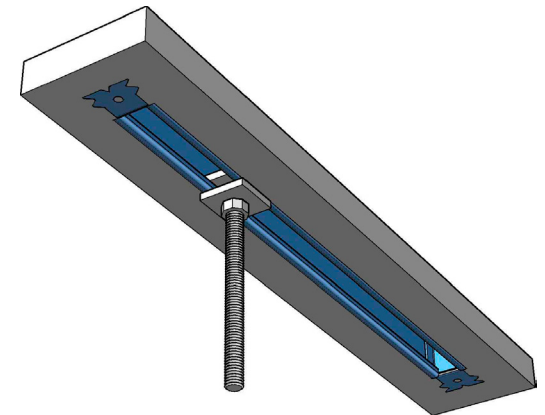
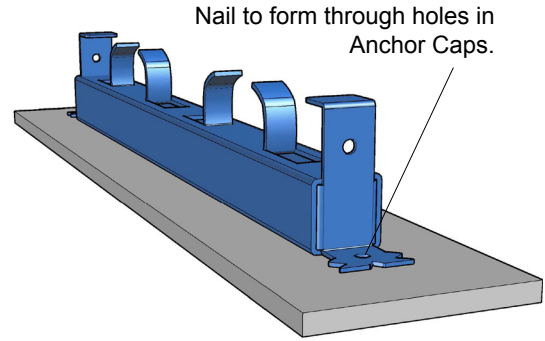
All inserts are shipped complete with two Anchor Caps and foam filler. This filler resists the entrance of wet concrete and is easily removed.

Catalogue Prefix	Height		Maximum Allowable Point Load*	
	(Inches)	(mm)	(Lbs/ft)	(kg/m)
S2CI-	1 5/8	41.3	2000	2975
S5CI-	1	25.4	1750	2600

*Based on 3500 psi concrete and a safety factor of 3. The minimum spacing between point loads is 12". Reduce load by 50% if load is located within 2" of an end.

Standard finish is pre-galvanized (-G)**. Also available in hot dip galvanized (HG)**. **Note: Anchor Caps are electroplated zinc.

Add finish and length in inches to Catalogue Prefix above for Catalogue No. (S2CI-36-G). For lengths less than 10 inches (254 mm), see Spot Inserts below.

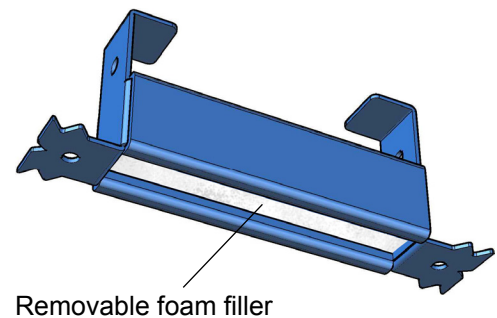


Remove form.
Remove filler.
Insert Clamping Nuts and install rod or fitting.

SPOT INSERTS

Catalogue Prefix	Length		Maximum Allowable Point Load*	
	(Inches)	(mm)	(Lbs)	(kg)
S2CI-3-	3	76.2	500	226.8
S2CI-6-	6	152.4	1000	453.6
S2CI-9-	9	228.6	1200	544.3
S5CI-3-	3	76.2	400	181.4
S5CI-6-	6	152.4	750	340.2
S5CI-9-	9	228.6	1000	453.6

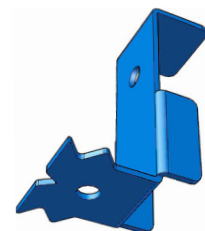
*Based on 3500 psi concrete and a safety factor of 3. Finishes specified as above (S2CI-6-G).



CONCRETE INSERT ANCHOR CAPS

S2CI-EG for use with S2CI- Concrete Insert Strut Channel.

S5CI-EG for use with S5CI- Concrete Insert Strut Channel.



PIPE CLAMPS

Sasco's Two-Piece Pipe Clamps provide ease of installation and infinite adjustability along the channel's continuous slot. 20 to 30% more conduits can be mounted in a given area compared to U-bolts, and up to 40% more than with one-hole pipe straps. These Two-Piece Pipe Clamps may be used with all sizes of 1 5/8" wide Sasco Strut Channel.

For Thin Wall Conduit (EMT):

Conduit Size (Inches)	Outside Diameter (Inches)	Outside Diameter (mm)	Catalogue Prefix
3/8	0.577	14.66	S38TW
1/2	0.706	17.93	S12TW
3/4	0.922	23.42	S34TW
1	1.163	29.54	S1TW
1 1/4	1.510	38.35	S114TW
1 1/2	1.740	44.20	S112TW
2	2.197	55.80	S2TW

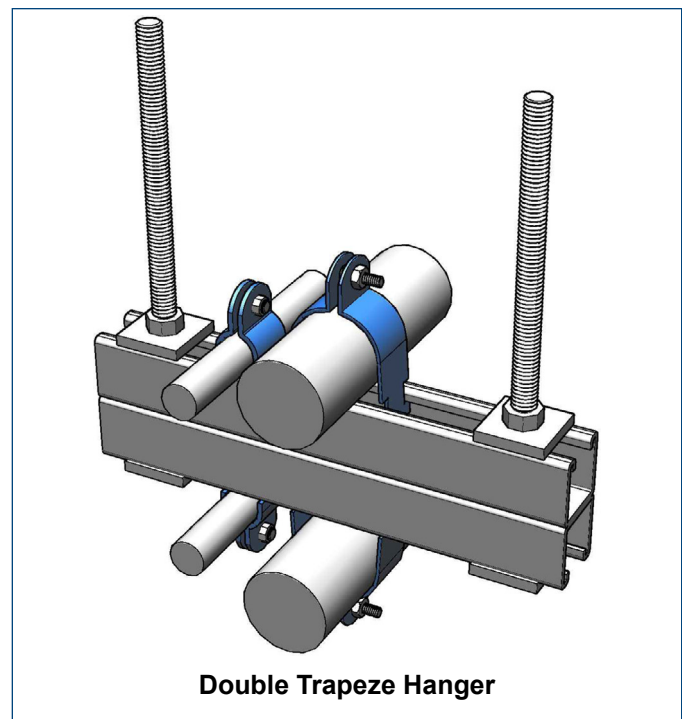
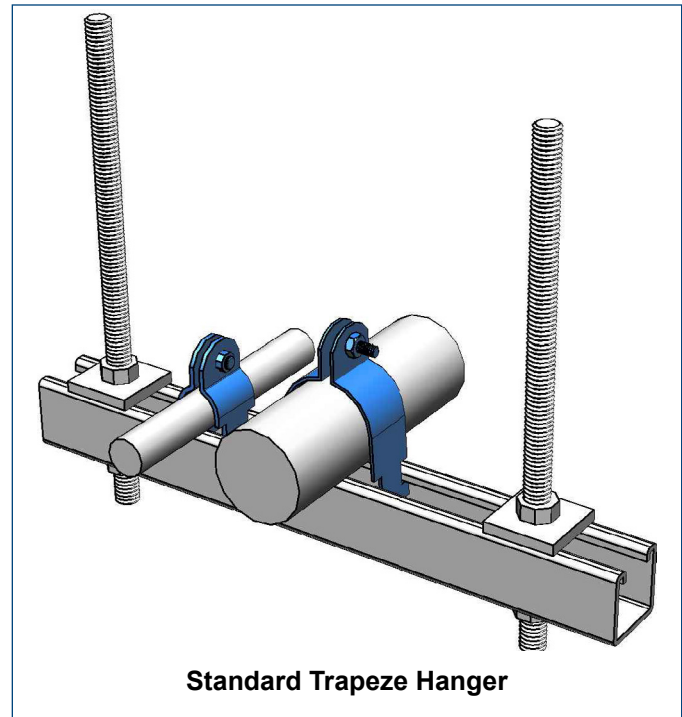
For sizes larger than 2" (50.8 mm), use equivalent Rigid Conduit Pipe Clamp.

For Rigid Conduit:

Conduit Size (Inches)	Outside Diameter (Inches)	Outside Diameter (mm)	Catalogue Prefix
3/8	0.675	17.15	S38R
1/2	0.840	21.34	S12R
3/4	1.050	26.67	S34R
1	1.315	33.40	S1R
1 1/4	1.660	42.16	S114R
1 1/2	1.900	48.26	S112R
2	2.375	60.33	S2R
2 1/2	2.875	73.03	S212R
3	3.500	88.90	S3R
3 1/2	4.000	101.60	S312R
4	4.500	114.30	S4R
5	5.563	141.29	S5R
6	6.625	168.28	S6R
8	8.625	219.08	S8R
10	10.750	273.05	S10.0R
12	12.750	323.85	S12.0R

Finishes:

Pre-galvanized (standard)	-G
Hot Dip Galvanized	-HG
Stainless Steel Type 316	-SS
Aluminum	-AL
Fibreglass	-FG



Add finish to Catalogue Prefix for Part No. (S38R-SS).

PIPE CLAMPS

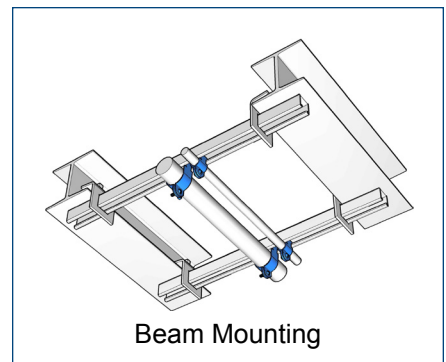
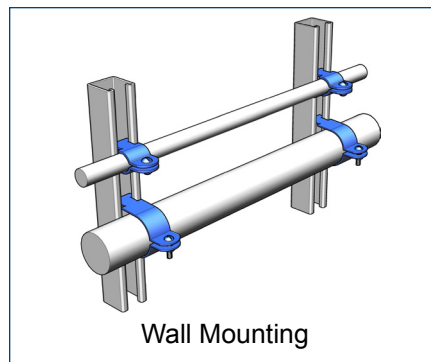
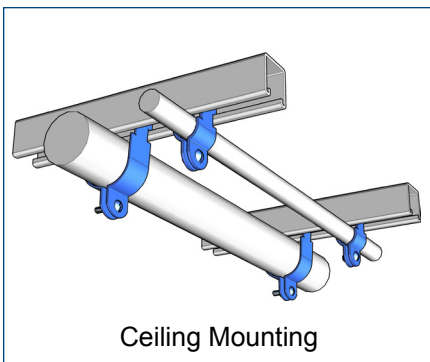
Sasco Outside Diameter Pipe Clamps are typically used for tubing, glass pipe, transite pipe, fibre duct and cable.

Outside Diameter (Inches)	Outside Diameter (mm)	Catalogue Prefix	Outside Diameter (Inches)	Outside Diameter (mm)	Catalogue Prefix	Outside Diameter (Inches)	Outside Diameter (mm)	Catalogue Prefix
1/4	6.35	S14OD	4 7/8	123.83	S478OD	8 7/8	225.43	S878OD
3/8	9.53	S38OD	5	127.00	S50D	9	228.60	S90D
1/2	12.70	S12OD	5 1/8	130.18	S518OD	9 1/8	231.78	S918OD
5/8	15.88	S58OD	5 1/4	133.35	S514OD	9 1/4	234.95	S914OD
3/4	19.05	S34OD	5 3/8	136.53	S538OD	9 3/8	238.13	S938OD
7/8	22.23	S78OD	5 1/2	139.70	S512OD	9 1/2	241.30	S912OD
1	25.40	S10D	5 5/8	142.88	S558OD	9 5/8	244.48	S958OD
1 1/8	28.58	S118OD	5 3/4	146.05	S534OD	9 3/4	247.65	S934OD
1 1/4	31.75	S114OD	5 7/8	149.23	S578OD	9 7/8	250.83	S978OD
1 3/8	34.93	S138OD	6	152.40	S60D	10	254.00	S100D
1 1/2	38.10	S112OD	6 1/8	155.58	S618OD	10 1/8	257.18	S1018OD
2	50.80	S20D	6 1/4	158.75	S614OD	10 1/4	260.35	S1014OD
2 1/8	53.98	S218OD	6 3/8	161.93	S638OD	10 3/8	263.53	S1038OD
2 1/4	57.15	S214OD	6 1/2	165.10	S612OD	10 1/2	266.70	S1012OD
2 1/2	63.50	S212OD	6 3/4	171.45	S634OD	10 5/8	269.88	S1058OD
2 5/8	66.68	S258OD	6 7/8	174.63	S678OD	10 7/8	276.23	S1078OD
2 3/4	69.85	S234OD	7	177.80	S70D	11	279.40	S110D
3	76.20	S30D	7 1/8	180.98	S718OD	11 1/8	282.58	S1118OD
3 1/8	79.38	S318OD	7 1/4	184.15	S714OD	11 1/4	285.75	S1114OD
3 1/4	82.55	S314OD	7 3/8	187.33	S738OD	11 3/8	288.93	S1138OD
3 3/8	85.73	S338OD	7 1/2	190.50	S712OD	11 1/2	292.10	S1112OD
3 5/8	92.08	S358OD	7 5/8	193.68	S758OD	11 5/8	295.28	S1158OD
3 3/4	95.25	S334OD	7 3/4	196.85	S734OD	11 3/4	298.45	S1134OD
3 7/8	98.43	S378OD	7 7/8	200.03	S778OD	11 7/8	301.63	S1178OD
4 1/8	104.78	S418OD	8	203.20	S80D	12	304.80	S12.00D
4 1/4	107.95	S414OD	8 1/8	206.38	S818OD	12 1/8	307.98	S1218OD
4 3/8	111.13	S438OD	8 1/4	209.55	S814OD	12 1/4	311.15	S1214OD
4 5/8	117.48	S458OD	8 3/8	212.73	S838OD	12 3/8	314.33	S1238OD
4 3/4	120.65	S434OD	8 1/2	215.90	S812OD	12 1/2	317.50	S1212OD
			8 3/4	222.25	S834OD	12 5/8	320.68	S1258OD

- Finishes:
- Pre-galvanized (standard) -G
 - Hot Dip Galvanized -HG
 - Stainless Steel Type 316 -SS
 - Aluminum -AL
 - Fibreglass -FG

Larger sizes available upon request.

Add finish to Catalogue Prefix for Part No. (S14OD-SS).



PIPE CLAWS

Sasco Pipe Claws are designed to grab on to tube, pipe or hose and hold it in place. The unique one-piece patent pending design allows for quick, simple and easy installation. They will not rust because they are molded from TPE (thermoplastic elastomer).

- Quick, simple and easy snap-in of tube, pipe or hose. No tools required.
- Sure Grip base easily rotates into Strut Channel. No tools required.
- TPE (thermoplastic elastomer) will not corrode, and is non-conducting.
- Temp. range of -46 to 135 °C (-50 to 275 °F).
- Works great for interior and exterior applications.
- Seven sizes of tube, and three sizes of EMT.
- Designed for light duty loads and applications.
- Prevents galvanic corrosion of dissimilar metals.
- An excellent alternative to plain, stainless, hot dip galvanized, pre-galvanized steel, or aluminum clamps.

Installation on Strut:

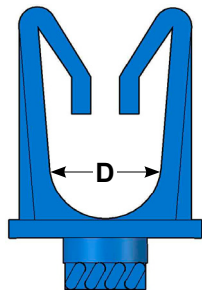
Insert pipe claw Twist to lock Align pipe Snap in place

Installation on Surfaces:

Position clamp Mount with #10 screw and tighten Align pipe, snap in

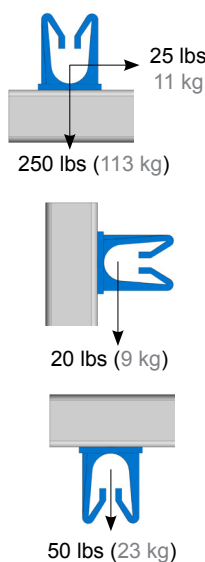
Grooves provide a centring guide. Counter-sunk hole provided for screw head. Channel allows easy driver access.

Sasco Pipe Claw for Strut Mounting

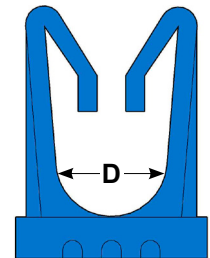


For Pipe (Inches)	D (diameter) (Inches)	(mm)	Catalogue No.
1/4 OD	0.250	6.35	S14OD-CL
3/8 OD	0.375	9.53	S38OD-CL
1/2 OD	0.500	12.70	S12OD-CL
5/8 OD	0.625	15.88	S58OD-CL
3/4 OD	0.750	19.05	S34OD-CL
7/8 OD	0.875	22.23	S78OD-CL
1 1/8 OD	1.125	28.58	S118OD-CL
1/2 EMT	0.706	17.93	S12TW-CL
3/4 EMT	0.922	23.42	S34TW-CL
1 EMT	1.163	29.54	S1TW-CL

Design Loads:



Sasco Pipe Claw for Surface Mounting



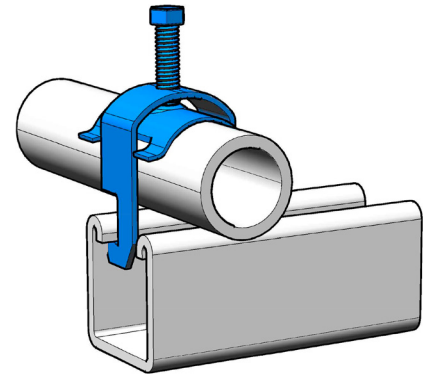
For Pipe (Inches)	D (diameter) (Inches)	(mm)	Catalogue No.
1/4 OD	0.250	6.35	S14OD-CLH
3/8 OD	0.375	9.53	S38OD-CLH
1/2 OD	0.500	12.70	S12OD-CLH
5/8 OD	0.625	15.88	S58OD-CLH
3/4 OD	0.750	19.05	S34OD-CLH
7/8 OD	0.875	22.23	S78OD-CLH
1 1/8 OD	1.125	28.58	S118OD-CLH
1/2 EMT	0.706	17.93	S12TW-CLH
3/4 EMT	0.922	23.42	S34TW-CLH
1 EMT	1.163	29.54	S1TW-CLH

ONE-PIECE CABLE CLAMPS

Sasco One-Piece Cable Clamps secure conduit and cables to both 1 5/8" wide Sasco Strut Channels, and ventilated or ladder cable tray. One-piece construction facilitates fast installation and a range of adjustment allows one cable clamp size to accommodate a range of cable sizes.

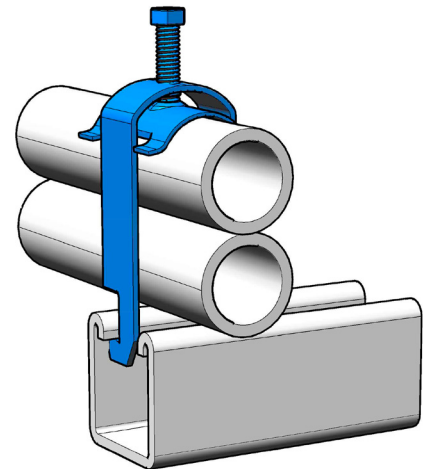
Clamps for Single Cables or Conduits:

Catalogue Prefix	Outside Dia. Range (In.)	Rigid Conduit Min (In)	Rigid Conduit Max (In)	EMT Conduit (In)
S055	0.050 - 0.625	-	-	3/8
S081	0.310 - 0.875	3/8	1/2	3/8 - 1/2
S125	0.750 - 1.313	1/2	3/4	3/4 - 1
S135	0.850 - 1.375	3/4	1	3/4 - 1
S175	1.250 - 1.875	1	1 1/4	1 1/4 - 1 1/2
S225	1.750 - 2.250	1 1/2	1 1/2	2
S275	2.250 - 2.875	2	2 1/2	-
S325	2.750 - 3.250	2 1/2	2 1/2	-
S375	3.250 - 3.813	3	3	-
S425	3.750 - 4.500	3 1/2	4	-
S475	4.250 - 4.938	4	4	-



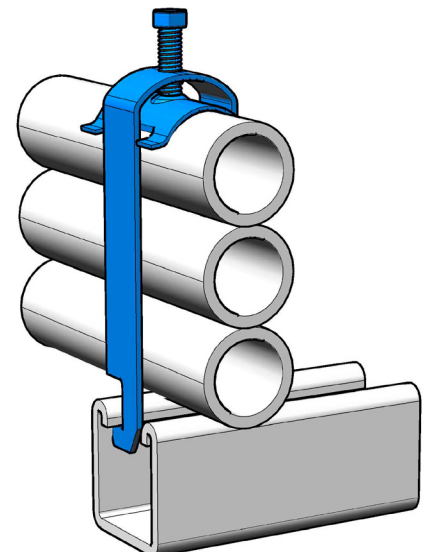
Clamps for Two Cables or Conduits:

Available in the above listed sizes. Add suffix **D** to the Catalogue Prefix for the matching outside diameter in the table (S125D).



Clamps for Three Cables or Conduits:

Available in the above listed sizes. Add suffix **T** to the Catalogue Prefix for the matching outside diameter in the table (S125T).



Finishes:

Pre-galvanized (standard)	-G
Aluminum	-AL
Stainless Steel Type 316	-SS

Add finish to Catalogue Prefix for Part No. (S125T-SS).

To protect cables on the bearing surface of the strut channel or tray, Counter Beds are available. For the Catalogue Number, add the suffix **BED** to the required Cable Clamp Catalogue Prefix (S125BED).

