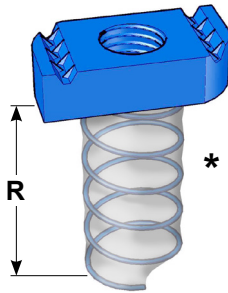


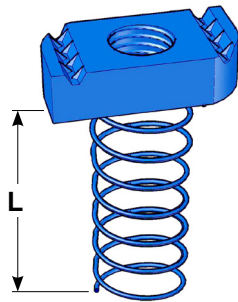
CLAMPING NUTS

Sasco Clamping Nuts are fundamental to the Sasco Suspension System. They ensure positive locking between the nut's serrated grooves and the Strut Channel. When they are inserted anywhere along the continuous slot of the channel they allow attachment of fittings without drilling or welding. If changes are required, fittings are easily adjusted, removed or reused.



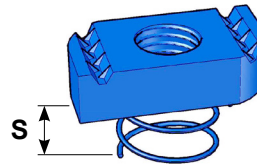
Regular Spring

Used in all 1 5/8" wide Strut Channels except S5, S6 and S7.



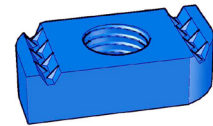
Long Spring

Used in Strut Channels S1 and S9.



Short Spring

Used in Strut Channels S5, S6 and S7.



Without Spring

Used in all 1 5/8" wide Strut Channels.

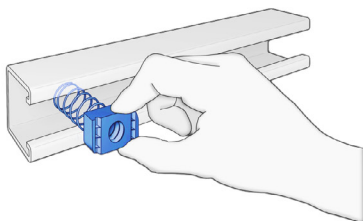
Thread Size	Catalogue Numbers				Spring Length		
	Regular Spring	Long Spring	Short Spring	Without Spring	R	L	S
Imperial							
1/4" - 20	S14 *	-	S14S	S14W	1.5"	-	0.375"
5/16" - 18	S516*	-	S516S	S516W	1.5"	-	0.375"
3/8" - 16	-	-	S3814S	-	1.5"	-	0.375"
3/8" - 16	S38 *	S38L	-	S38W	1.5"	2.875"	-
1/2" - 13	S12 *	S12L	S12S	S12W	1.5"	2.875"	0.750"
5/8" - 11	S58	S58L	-	S58W	1.5"	2.875"	-
3/4" - 10	S34	S34L	-	S34W	1.5"	2.875"	-
Metric							
M6 - 1.00	S6M	-	S6MS	S6MW	38 mm	-	20 mm
M8 - 1.25	S8M	-	S8MS	S8MW	38 mm	-	20 mm
M10 - 1.50	S10M	-	S10MS	S10MW	38 mm	-	20 mm
M12 - 1.75	S12M	-	S12MS	S12MW	38 mm	-	20 mm

***Sasco Clamping Nuts marked with asterisks have plastic sleeves eliminating tangling during shipping and installation.**

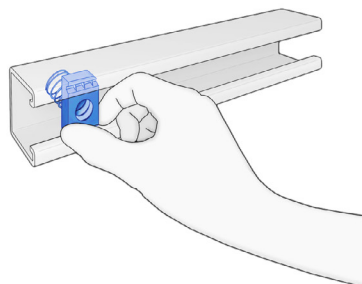
Steel Clamping Nuts are produced from hot rolled steel ASTM A108 Grades 1015 or 1020. Standard finish is electroplated zinc.

Some sizes available in stainless steel Type 316, hot dip galvanized, aluminum and fibreglass. Consult Sasco for availability.

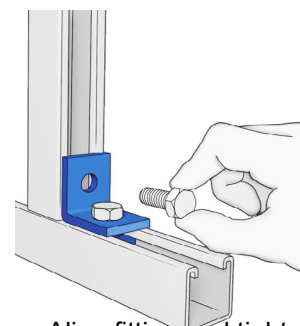
Easy, Fast Installation:



Insert Clamping Nut



Turn 90°



Align fitting and tighten bolt

CLAMPING NUTS

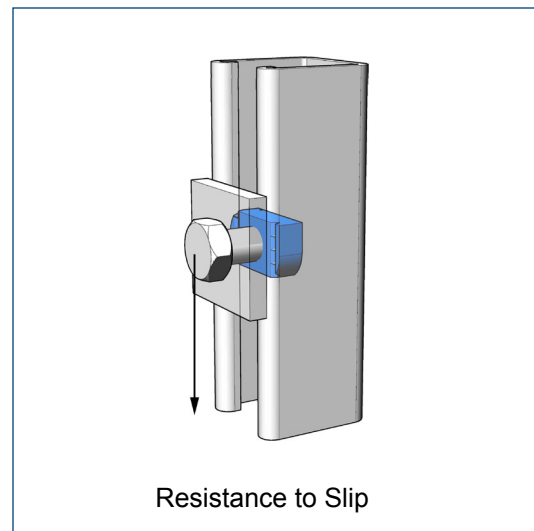
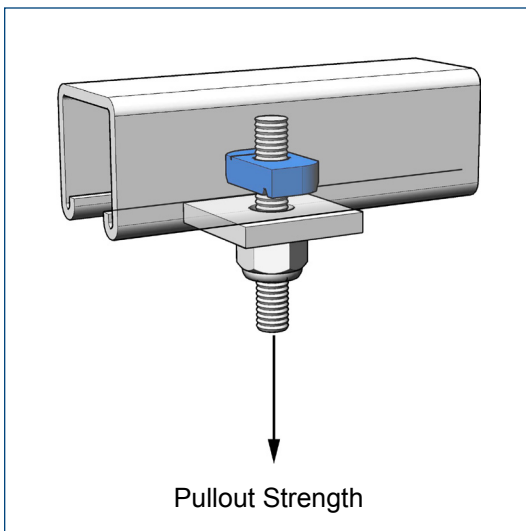
Pullout and Resistance to Slip Loads

Values are based on these recommended torques for Grade 2 bolts:

Bolt Diameter	(Inches) (mm)	1/4 6	5/16 8	3/8 10	1/2 12	5/8 -	3/4 -
Recommended Torque	(Ft·Lbs) (N·m)	6 8	11 15	19 26	50 68	100 136	125 170

Thread Size	12 Gauge Strut				14 Gauge Strut				16 Gauge Strut			
	Max. Allowable Pullout Strength		Resistance to Slip		Max. Allowable Pullout Strength		Resistance to Slip		Max. Allowable Pullout Strength		Resistance to Slip	
	Lbs	kN	Lbs	kN	Lbs	kN	Lbs	kN	Lbs	kN	Lbs	kN
Imperial												
1/4" - 20	600	2.67	300	1.33	600	2.67	300	1.33	600	2.67	300	1.33
5/16" - 18	750	3.33	450	2.00	750	3.33	450	2.00	750	3.33	450	2.00
S3814S	1500	6.67	800	3.56	1400	6.23	750	3.34	1000	4.45	750	3.34
3/8" - 16	2000	8.90	1500	6.67	1400	6.23	1000	4.45	1000	4.45	1000	4.45
1/2" - 13	2000	8.90	1500	6.67	1400	6.23	1000	4.45	1000	4.45	1000	4.45
5/8" - 11	2000	8.90	1500	6.67	1400	6.23	1000	4.45	1000	4.45	1000	4.45
3/4" - 10	2000	8.90	1500	6.67	1400	6.23	1000	4.45	1000	4.45	1000	4.45
Metric												
M6 - 1.00	600	2.67	300	1.33	600	2.67	300	1.33	600	2.67	300	1.33
M8 - 1.25	750	3.33	450	2.00	750	3.33	450	2.00	750	3.33	450	2.00
M10 - 1.50	1500	6.67	800	3.56	1400	6.23	750	3.34	1000	4.45	750	3.34
M12 - 1.75	2000	8.90	1500	6.67	1400	6.23	1000	4.45	1000	4.45	1000	4.45

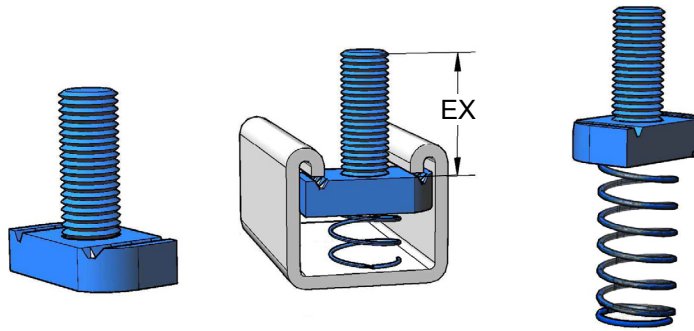
Minimum safety factor of 3.



STUD NUTS

All Sasco Clamping Nuts are available as Stud Nuts (**SN**). To specify, select Clamping Nut (S38, S34S, S12W, etc.) and length of exposed thread (EX).

An S38 Stud Nut with a 1 1/2 inch thread exposure is S38SN112EX as a Part Number.
An S38 Stud Nut with a 2 inch thread exposure is S38SN2EX.



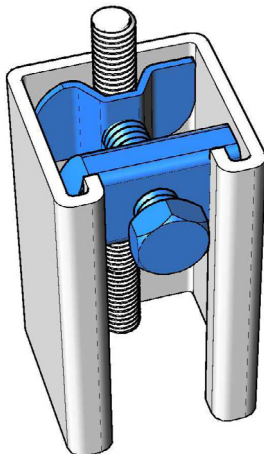
SEISMIC HANGER ROD STIFFENER

Sasco Seismic Hanger Rod Stiffener fastens 1 5/8" (41.3 mm) wide x 1 5/8" (41.3 mm) SR2 Strut Channel to the hanger rod as required by the design engineer.

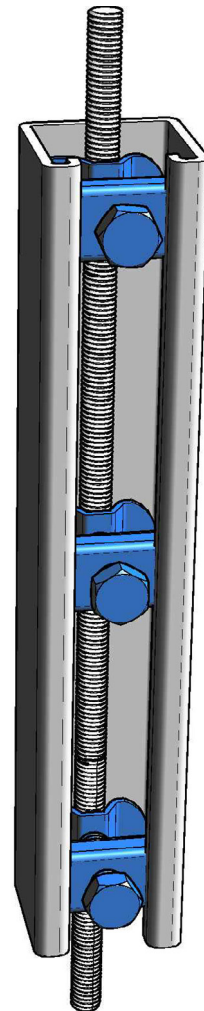
Secures 3/8" through 5/8" diameter rod.

For more detail, refer to the [Sasco Seismic Restraint Design Manual](#).

Standard finish is electroplated zinc.
Stainless steel available upon request.



SR38-RS



[CONTENTS](#)

[INDEX](#)

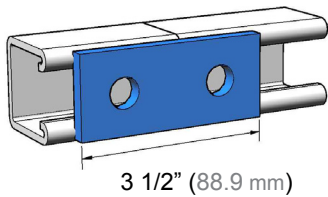
[GENERAL INFO.](#)

[CONTACT US](#)

To assist in the selection of the proper fitting for your application, Sasco fittings, many of which have multiple applications, are grouped according to their most common use.

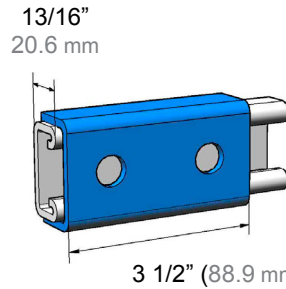
SPLICING CONNECTIONS

TWO HOLE SPLICE PLATE



S110P-HG

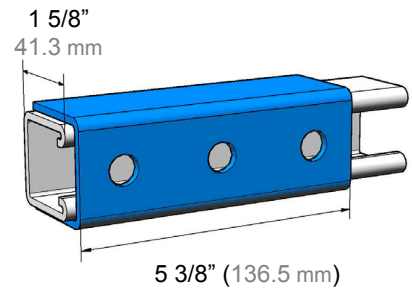
TWO HOLE SPLICE PLATE



11 GAUGE

S409U-HG

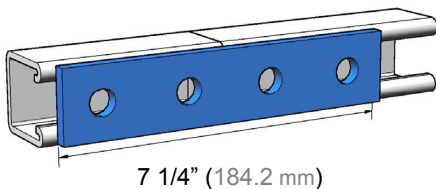
THREE HOLE SPLICE PLATE



11 GAUGE

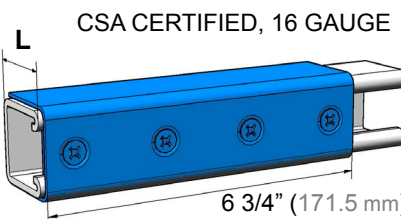
S412U-HG

FOUR HOLE SPLICE PLATE



S114P-HG

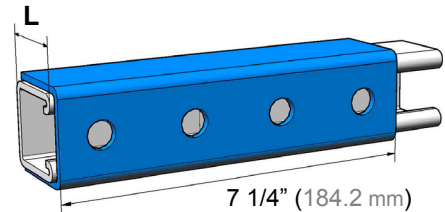
FOUR HOLE SPLICE PLATE



Supplied with four 1/4" x 5/8" FHMS and four S14W Clamping Nuts.

	L
S710E-G	1 5/8" (41.3 mm)
S712E-G	13/16" (20.6 mm)

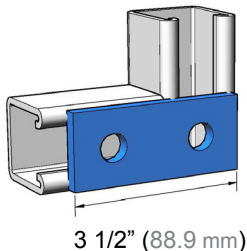
FOUR HOLE SPLICE PLATE



	L	THICK
S417U-HG	3 1/4" (82.6 mm)	1/4"
S415U-HG	2 7/16" (61.9 mm)	1/4"
S413U-HG	2" (50.8 mm)	11 Ga.
S414U-HG	1 5/8" (20.6 mm)	11 Ga.

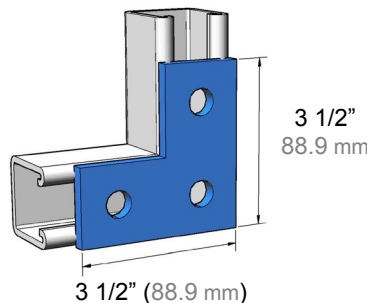
CORNER CONNECTIONS

TWO HOLE FLAT PLATE



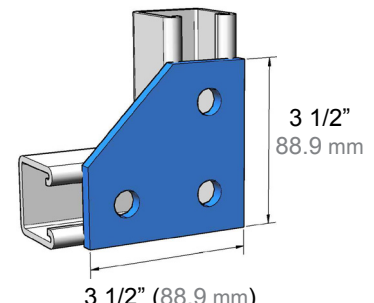
S110P-HG

THREE HOLE FLAT PLATE



S119P-HG

THREE HOLE FLAT PLATE



S122P-HG

GENERAL DATA	(Inches)	(mm)
Hole Diameter	9/16	14.3
Hole Spacing from End	13/16	20.6
Hole Spacing on Centre	1 7/8	47.6
Width	1 1/2	38.1
Thickness	1/4	6.4

Dimensions are to outside edge unless otherwise indicated.

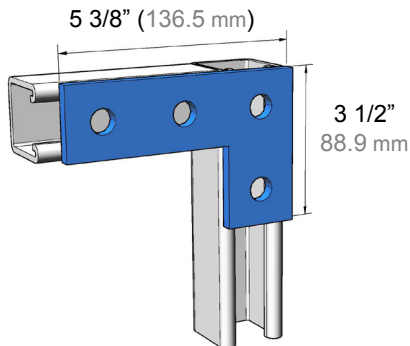
Finish Suffix Legend:

Hot Dip Galvanized After Fabrication	-HG
Pre-galvanized	-G
Electroplated Zinc	-EG
Stainless Steel Type 304	-SS4
Stainless Steel Type 316	-SS6

To assist in the selection of the proper fitting for your application, Sasco fittings, many of which have multiple applications, are grouped according to their most common use.

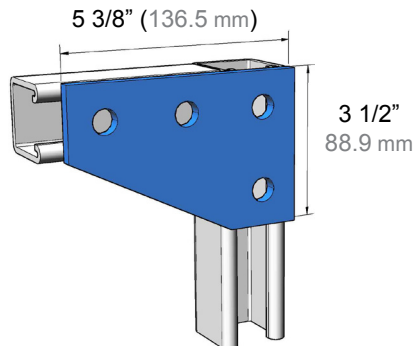
CORNER CONNECTIONS

FOUR HOLE FLAT PLATE



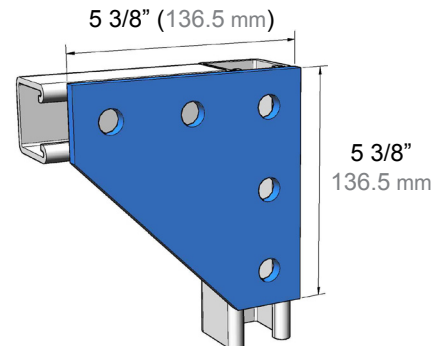
S123P-HG

FOUR HOLE FLAT PLATE



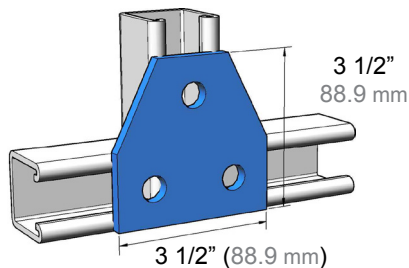
S124P-HG

FIVE HOLE FLAT PLATE



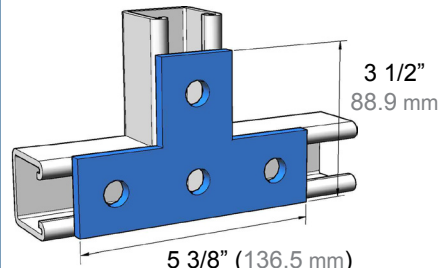
S125P-HG

THREE HOLE TEE PLATE



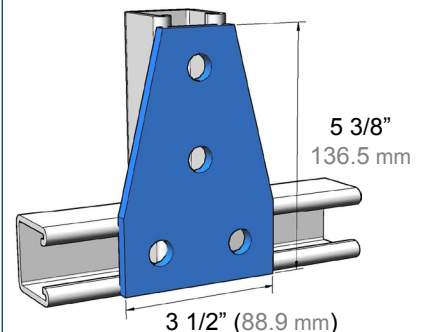
S126P-HG

FOUR HOLE TEE PLATE



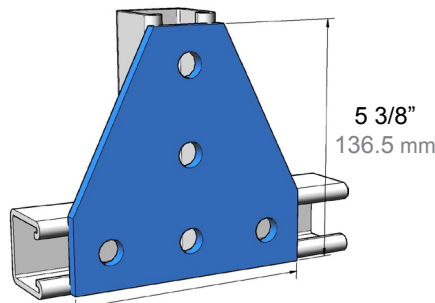
S120P-HG

FOUR HOLE TEE PLATE



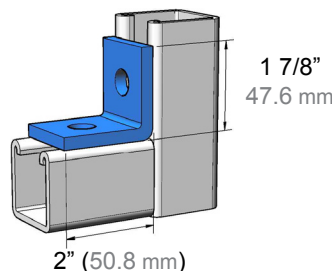
S127P-HG

FIVE HOLE TEE PLATE



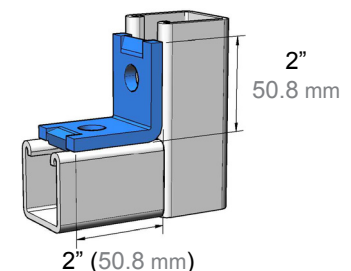
S128P-HG

TWO HOLE 90° FITTING



S206A-HG

TWO HOLE 90° FITTING



S207A-HG

GENERAL DATA	(Inches)	(mm)
Hole Diameter	9/16	14.3
Hole Spacing from End	13/16	20.6
Hole Spacing on Centre	1 7/8	47.6
Width	1 1/2	38.1
Thickness	1/4	6.4

Dimensions are to outside edge unless otherwise indicated.

Finish Suffix Legend:

Hot Dip Galvanized After Fabrication	-HG
Pre-galvanized	-G
Electroplated Zinc	-EG
Stainless Steel Type 304	-SS4
Stainless Steel Type 316	-SS6

[CONTENTS](#)

[INDEX](#)

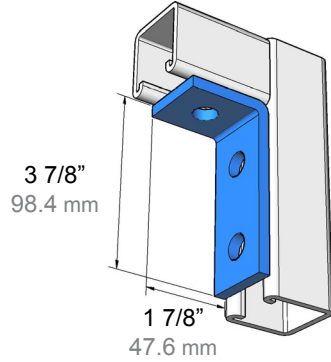
[GENERAL INFO.](#)

[CONTACT US](#)

To assist in the selection of the proper fitting for your application, Sasco fittings, many of which have multiple applications, are grouped according to their most common use.

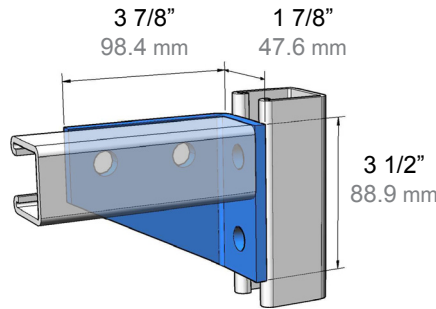
CORNER CONNECTIONS

THREE HOLE 90° FITTING



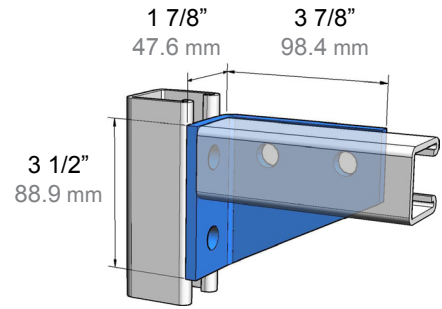
S210A-HG

FOUR HOLE RIGHT ANGLE



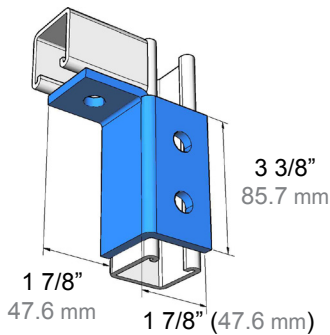
S232A-HG

FOUR HOLE RIGHT ANGLE



S233A-HG

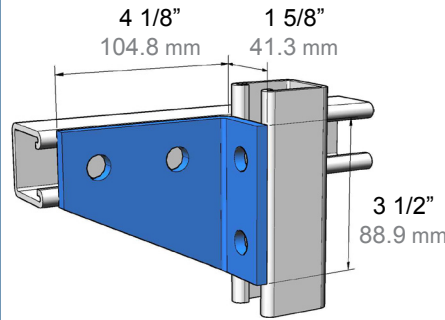
THREE HOLE 90° FITTING



S528W-HG RIGHT HAND

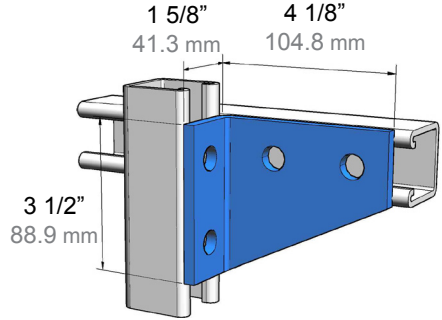
S529W-HG LEFT HAND (shown)

FOUR HOLE RIGHT ANGLE



S218A-HG

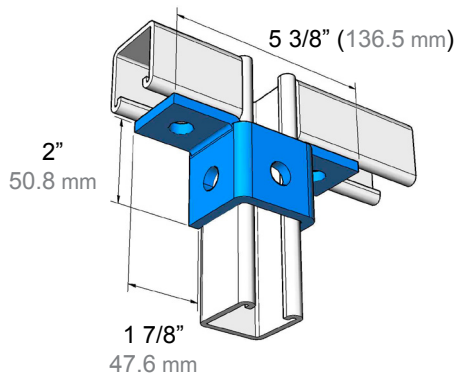
FOUR HOLE RIGHT ANGLE



S217A-HG

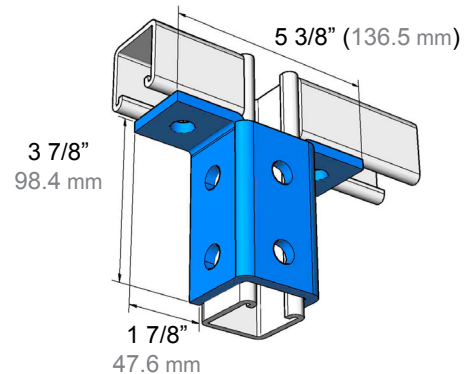
CROSSING CONNECTIONS

FIVE HOLE WING FITTING



S536W-HG

EIGHT HOLE WING FITTING



S537W-HG

GENERAL DATA	(Inches)	(mm)
Hole Diameter	9/16	14.3
Hole Spacing from End	13/16	20.6
Hole Spacing on Centre	1 7/8	47.6
Width	1 1/2	38.1
Thickness	1/4	6.4

Dimensions are to outside edge unless otherwise indicated.

Finish Suffix Legend:

Hot Dip Galvanized After Fabrication	-HG
Pre-galvanized	-G
Electroplated Zinc	-EG
Stainless Steel Type 304	-SS4
Stainless Steel Type 316	-SS6

[CONTENTS](#)

[INDEX](#)

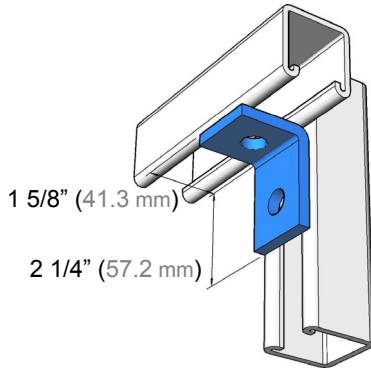
[GENERAL INFO.](#)

[CONTACT US](#)

To assist in the selection of the proper fitting for your application, Sasco fittings, many of which have multiple applications, are grouped according to their most common use.

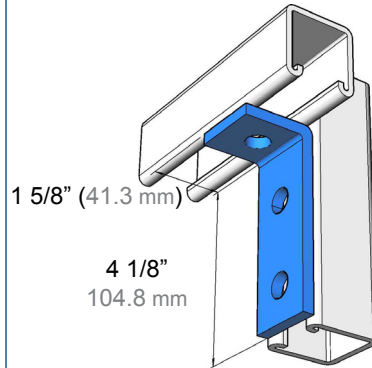
CROSSING CONNECTIONS

TWO HOLE ANGLE



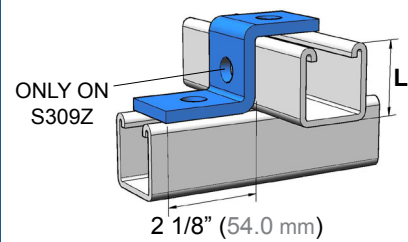
S205A-HG

THREE HOLE ANGLE



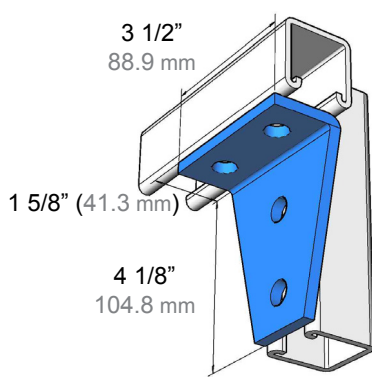
S209A-HG

Z SHAPED ANGLE



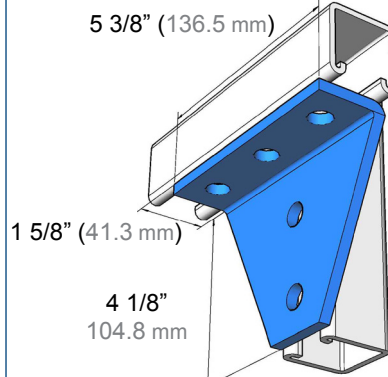
	L	
S315Z-HG	3 1/4"	82.6 mm
S313Z-HG	2 7/16"	61.9 mm
S309Z-HG	1 5/8"	41.3 mm
S312Z-HG	1"	25.4 mm
S301Z-HG	13/16"	20.6 mm

FOUR HOLE ANGLE



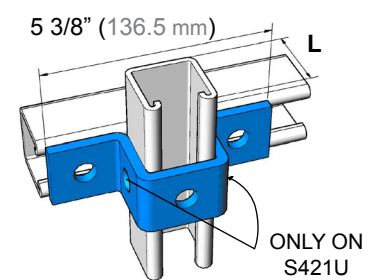
S235A-HG

FIVE HOLE ANGLE



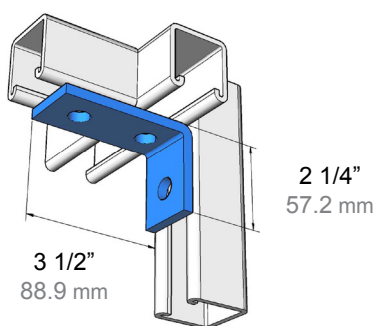
S230A-HG

U SHAPED FITTING



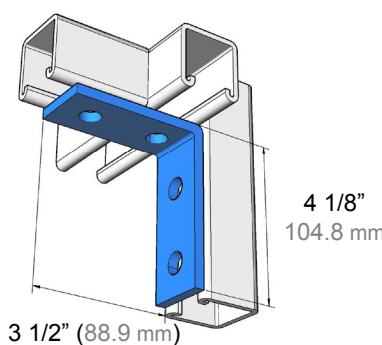
	L	
S425U-HG	3 1/4"	82.6 mm
S424U-HG	2 7/16"	61.9 mm
S421U-HG	1 5/8"	41.3 mm
S420U-HG	1"	25.4 mm
S419U-HG	13/16"	20.6 mm

THREE HOLE ANGLE



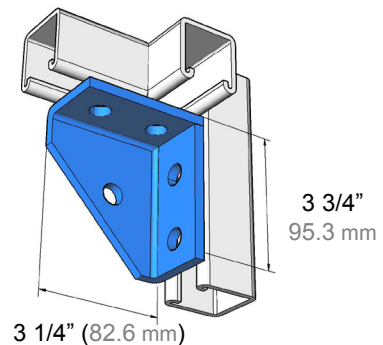
S212A-HG

FOUR HOLE ANGLE



S214A-HG

FIVE HOLE ANGLE



S216A-HG LEFT HAND (shown)
S215A-HG RIGHT HAND

GENERAL DATA	(Inches)	(mm)
Hole Diameter	9/16	14.3
Hole Spacing from End	13/16	20.6
Hole Spacing on Centre	1 7/8	47.6
Width	1 1/2	38.1
Thickness	1/4	6.4

Dimensions are to outside edge unless otherwise indicated.

Finish Suffix Legend:

Hot Dip Galvanized After Fabrication	-HG
Pre-galvanized	-G
Electroplated Zinc	-EG
Stainless Steel Type 304	-SS4
Stainless Steel Type 316	-SS6

[CONTENTS](#)

[INDEX](#)

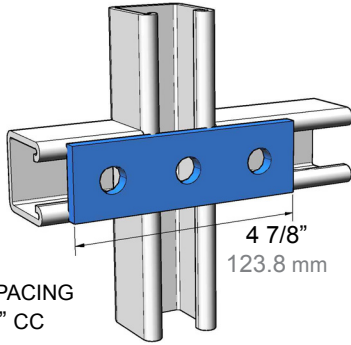
[GENERAL INFO.](#)

[CONTACT US](#)

To assist in the selection of the proper fitting for your application, Sasco fittings, many of which have multiple applications, are grouped according to their most common use.

CROSSING CONNECTIONS

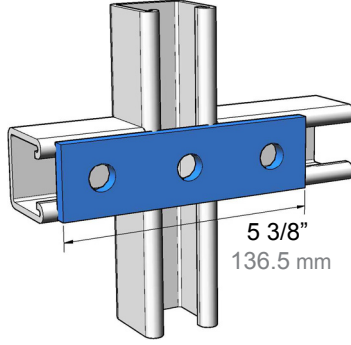
THREE HOLE FLAT PLATE



HOLE SPACING
1 5/8" CC
41.3 mm

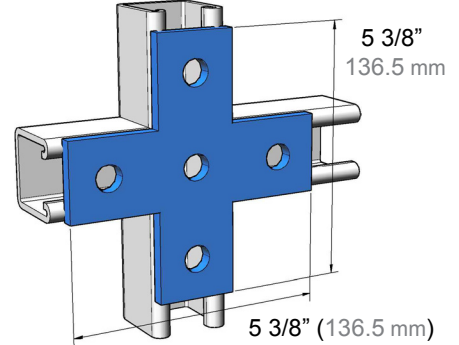
S113P-HG

THREE HOLE FLAT PLATE



S111P-HG

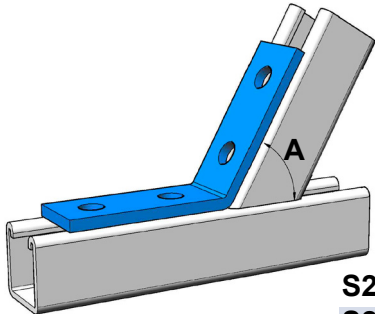
FIVE HOLE CROSS PLATE



S121P-HG

ANGLE CONNECTIONS

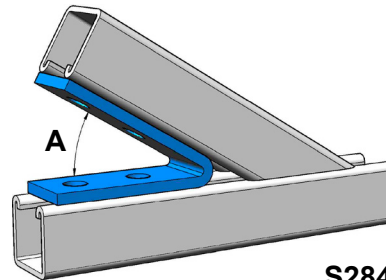
FOUR HOLE OPEN ANGLES



OTHER ANGLES AVAILABLE

S265A-HG	A	30°
S267A-HG	A	45°
S269A-HG	A	60°

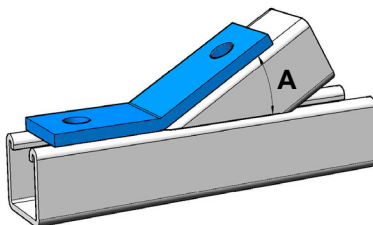
FOUR HOLE CLOSED ANGLES



OTHER ANGLES AVAILABLE

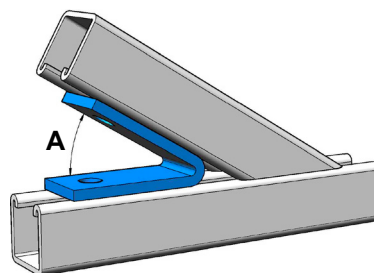
S284A-HG	A	30°
S285A-HG	A	45°
S283A-HG	A	60°

TWO HOLE OPEN ANGLES



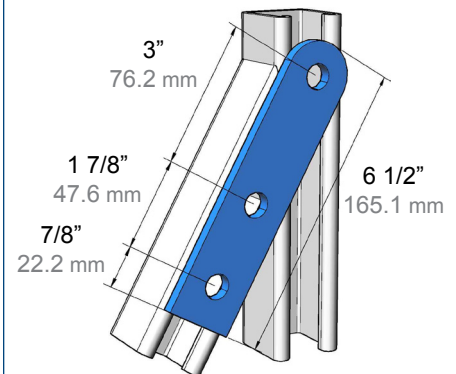
S258A-HG	A	30°	OTHER ANGLES AVAILABLE
S255A-HG	A	45°	
S253A-HG	A	60°	

TWO HOLE CLOSED ANGLES



S279A-HG	A	30°	OTHER ANGLES AVAILABLE
S278A-HG	A	45°	
S276A-HG	A	60°	

THREE HOLE ADJUSTABLE PLATE



S117P-HG

GENERAL DATA	(Inches)	(mm)
Hole Diameter	9/16	14.3
Hole Spacing from End	13/16	20.6
Hole Spacing on Centre	1 7/8	47.6
Width	1 1/2	38.1
Thickness	1/4	6.4

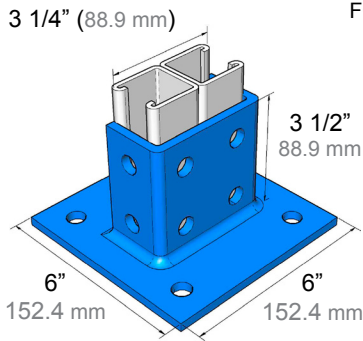
Dimensions are to outside edge unless otherwise indicated.

Finish Suffix Legend:

Hot Dip Galvanized After Fabrication	-HG
Pre-galvanized	-G
Electroplated Zinc	-EG
Stainless Steel Type 304	-SS4
Stainless Steel Type 316	-SS6

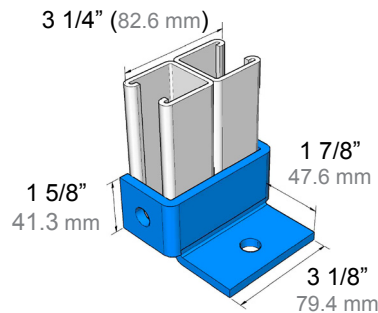
To assist in the selection of the proper fitting for your application, Sasco fittings, many of which have multiple applications, are grouped according to their most common use.

POST BASES



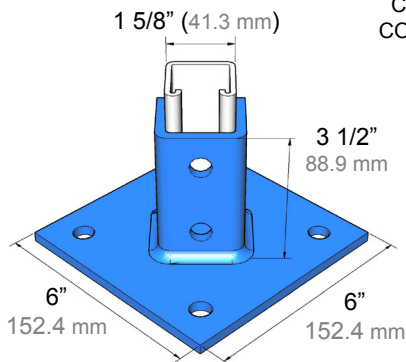
S500PB-HG

FOR 1 5/8" x 3 1/4" CHANNEL AND COMBINATIONS



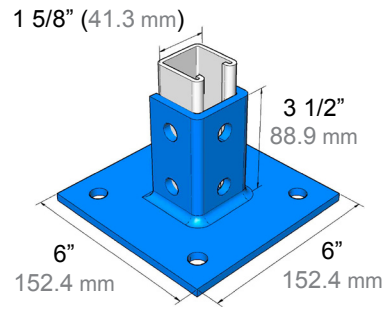
S505PB-HG

FOR 1 5/8" x 3 1/4" CHANNEL AND COMBINATIONS



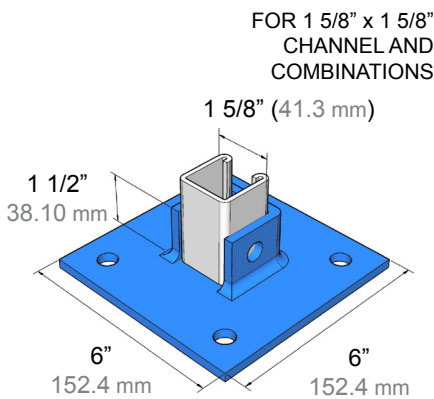
S501DPB-HG

FOR 1 5/8" x 1 5/8" CHANNEL AND COMBINATIONS



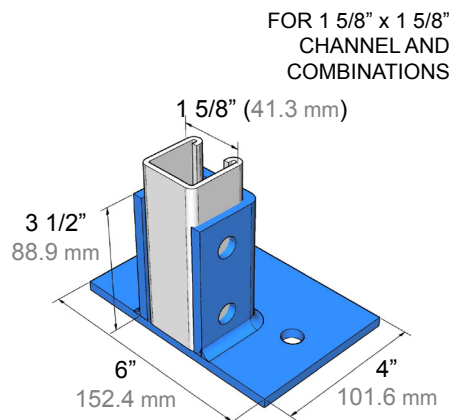
S501PB-HG

FOR 1 5/8" x 1 5/8" CHANNEL AND COMBINATIONS



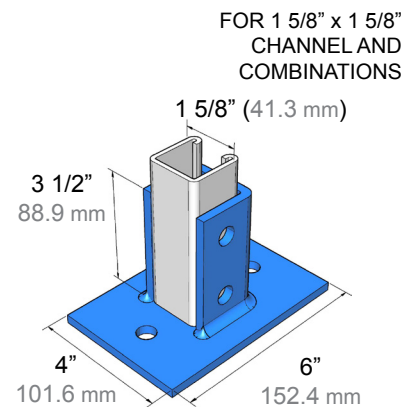
S503PB-HG

FOR 1 5/8" x 1 5/8" CHANNEL AND COMBINATIONS



S508PB-HG

FOR 1 5/8" x 1 5/8" CHANNEL AND COMBINATIONS



S509PB-HG

FOR 1 5/8" x 1 5/8" CHANNEL AND COMBINATIONS

GENERAL DATA	(Inches)	(mm)
Hole Diameter	9/16	14.3
Hole Spacing from End	13/16	20.6
Hole Spacing on Centre	1 7/8	47.6
Width	1 1/2	38.1
Thickness	1/4	6.4

Dimensions are to outside edge unless otherwise indicated.

Finish Suffix Legend:

Hot Dip Galvanized After Fabrication	-HG
Pre-galvanized	-G
Electroplated Zinc	-EG
Stainless Steel Type 304	-SS4
Stainless Steel Type 316	-SS6