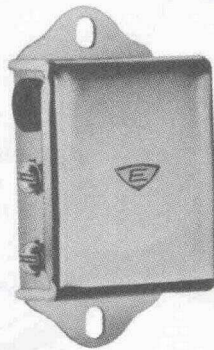


Edwards® 115 Series Miniature Lungen™ Buzzer



Cat. No. 115

Features

- Adjustable volume
- Chrome cover; zinc plated base
- AC operation
- Contact-less

Description

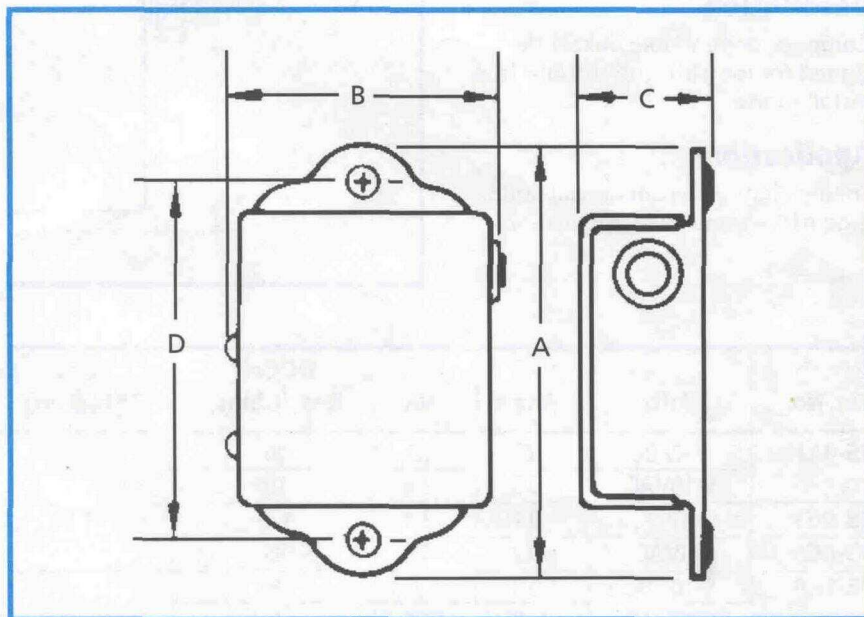
Compact, dependable buzzer designed for long life and trouble-free installations.

Specifications

- 81dB at 3 feet (.91m)

Applications

For installation in commercial buildings, offices, and OEM applications.



Cat. No.	Volts (60 Hz)	Amps	VA	DC Coil Res. (Ohms)	A	B	C	D
115-1AC	8VAC	0.4	3.2	12.5	2 5/32"	1 9/32"	5/8"	1 25/32"
115-1G5	24VAC	0.2	4.8	80	(55mm)	(32mm)	(16mm)	(45mm)
115-2AC	8VAC	0.5	4	6.5	2 5/8"	1 11/16"	25/32"	2 3/32"
115-2G5	24VAC	0.2	4.8	45	(66mm)	(43mm)	(20mm)	(53mm)
115-4AC	8VAC	0.45	4	3.6	3 7/16"	2 3/16"	1 1/8"	2 27/32"
115-4G5	24VAC	0.25	6	28	(87mm)	(55mm)	(28mm)	(72mm)

LUNGEN is a trademark of Edwards.