

SR - PAR18 Small Style Emergency Remote

Job/Location: _____

Contractor: _____ Prepared By: _____

Model Number: _____ Date: _____



SR - SMALL STYLE EMERGENCY REMOTE

The **SR SERIES** of remotes are constructed of high impact thermoplastic and feature an innovative rotary locking collar design that securely locks the lens and reflector assembly into place. The locking collar allows maintenance personnel to quickly and easily complete relamping. A tool-less mechanically adjustable swivel locks the head in position once adjusted. The matching canopy fits all standard electrical junction boxes. The **SR** is supplied standard in a white colour, black colour is optional.

LAMP SELECTION

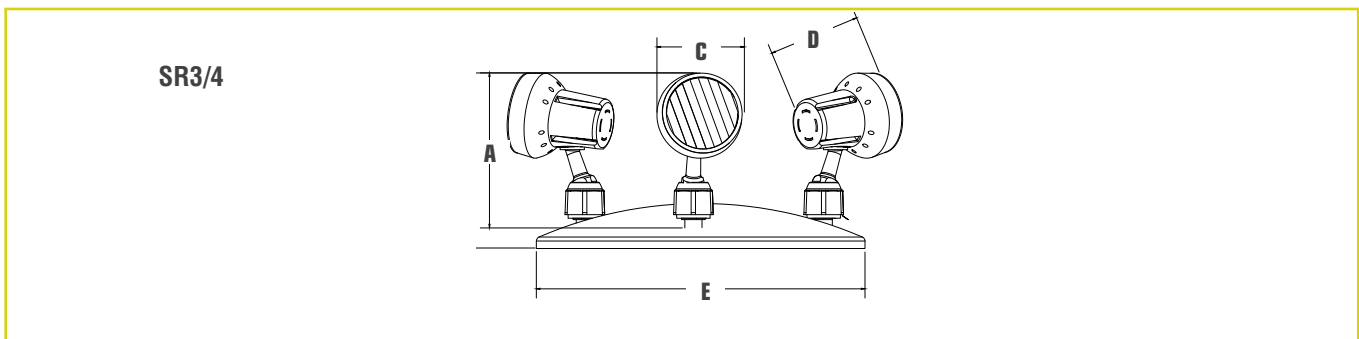
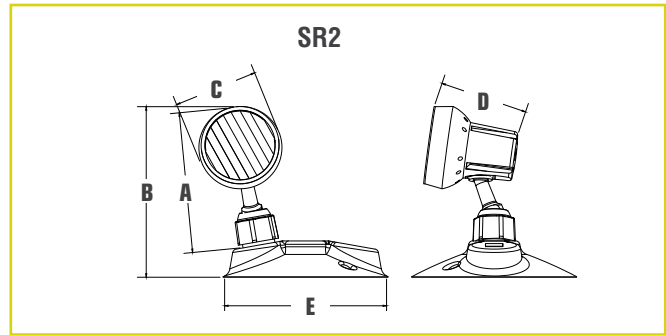
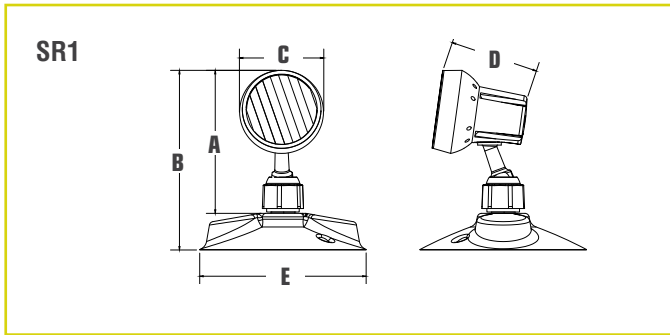
	6V	12V	24V
Composite Tungsten	9, 12W	9, 12, 18W	9, 18W
Composite Quartz (Q)	8, 10, 12, 20W	8, 10, 12, 20W	10, 12, 20W
MR16	5, 10W	10, 12W	12W
LED-MR16	5W	5, 7W	5, 7W

ORDERING INFORMATION

Series	Head #	Voltage / Wattage	Options
SR	1 (Single head)	See lamp selection	LC (Less canopy)
	2 (Double head)		BLK (Black housing)
	3 (Triple head)		
	4 (Quad head)		

REMOTES

DIMENSIONS



Model	A	B	C	D	E
SR1 Single	108mm 4 1/4"	136mm 5 3/8"	70mm 2 3/4"	72mm 2 7/8"	127mm 5"
SR2 Double	108mm 4 1/4"	130mm 5 1/8"	70mm 2 3/4"	72mm 2 7/8"	127mm 5"
SR3/SR4 Triple / Quad	108mm 4 1/4"	130mm 5 1/8"	70mm 2 3/4"	72mm 2 7/8"	241mm 9 1/2"