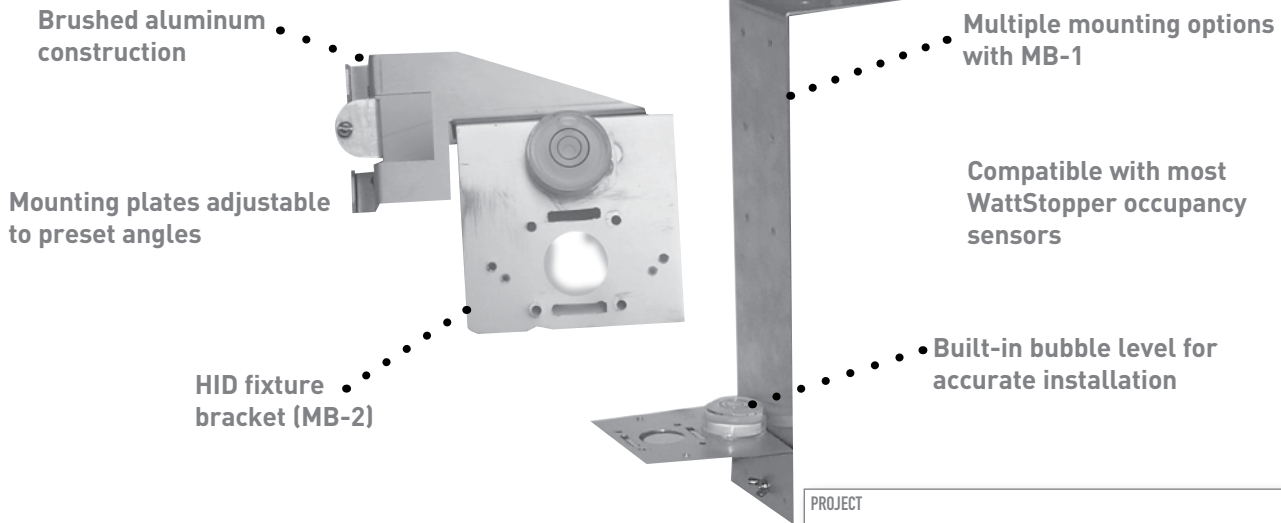




MB Sensor Mounting Brackets



PROJECT
LOCATION/TYPE

Product Overview

Description

The MB-1 and MB-2 are durable mounting brackets used to install occupancy sensors in a variety of settings. Both brackets include adjustable mounting plates that allow sensor rotation to achieve the desired angle for optimal coverage. The brackets also include built-in bubble levels that afford the installer reliable guides to ensure the bracket is correctly positioned before adjusting the sensor. The MB-1 and MB-2 are constructed of aluminum with a clear powder coating finish.

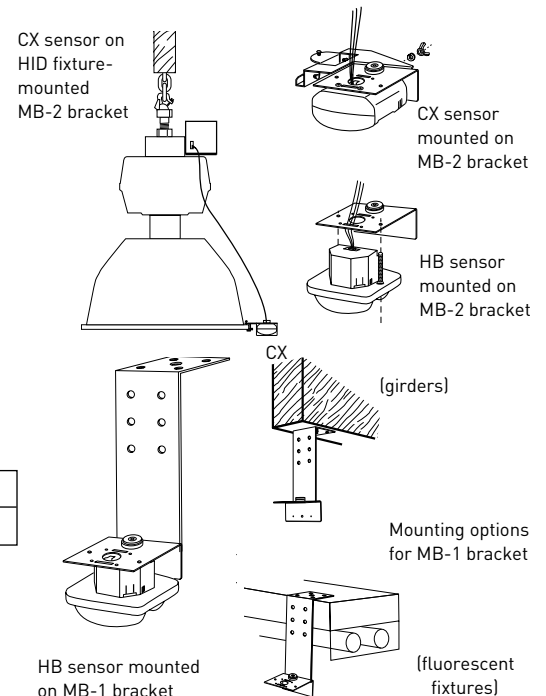
MB-2

With the MB-2, sensors can be attached directly to High Intensity Discharge (HID) fixtures, mounting to the bottom rim of the HID reflector bell and secured to the rim with three clamping screws. Sensors recommended for use with the MB-2 bracket include the CX, CI and HB sensors. The MB-2 includes a J-shaped bracket and a sensor mounting plate. The MB-2 also comes with extension wires that can be used, if needed, to connect the attached sensor to the DM HID controller.

MB-1

The MB-1 bracket enables users to mount sensors to a variety of structures, including fluorescent fixtures, walls, shelves, and girders. Among the many sensors compatible for use with the MB-1 bracket are the WPIR, CX, CI, and HB sensors. The MB-1 features an L-shaped bracket and a sensor mounting plate. When installed, this mounting plate can be rotated to direct the sensor toward the floor or along an aisle way at up to a 33° angle. In addition, the L-shaped bracket can be molded or reshaped to provide other mounting options.

Bracket Diagrams



Catalog No.	Description
<input type="checkbox"/> MB-1	L-Plate Industrial Mounting Bracket
<input type="checkbox"/> MB-2	J-Plate HID Mounting Bracket

Ordering Information