



# HB3x0W-Lx High Bay Passive Infrared Occupancy Sensors for Wet Locations

IP65 rated for wet locations

Lens choices for mounting between 20-40 feet



Line or low voltage

Multiple mounting options for easy installation

PROJECT
LOCATION/TYPE

## Product Overview

### Description

The HB350W-L3, HB350W-L4, HB340W-L3, HB340W-L4, HB300W-L3, and HB300W-L4 High Bay Passive Infrared (PIR) Occupancy Sensors for Wet Locations consist of a sensor and a lens module. These components are designed to work as a convenient system. HB3x0W-Lx occupancy sensors are designed for automatic lighting control in warehouses and other medium and high bay wet location applications. Different models offer a choice of coverage patterns for a range of applications.

### Operation

The HB3x0W-Lx occupancy sensors are designed to mount to a light fixture and control one load in that fixture. They can be wired to control all ballasts in the fixture, or to control half of the ballasts, providing high/low lighting control. When motion is detected within the sensor's coverage area, the relay in the sensor closes, and lighting loads are automatically turned on.

### Operation (continued)

When motion is no longer detected for the duration of the time delay setting, the relay opens and the lighting load is turned off. The sensor's sensitivity and time delay settings are factory preset at "normal" and 15 minutes, respectively, which are suitable for most high bay applications. However, if the values need to be adjusted for specific applications, they can be easily changed using the DIP switches on the unit.

### Wet Location Rating

Featuring a unique gasketed construction, the sensors carry the IP65 rating for wet locations. The IP65 rating means the sensors are protected against dust and low-pressure jets from all directions. In wet indoor or outdoor environments, the sensors will operate reliably with this level of protection.

## Features

- IP65 rated and UL244A and UL508 for use in wet indoor and outdoor locations
- Easy mounting using extender module mounting accessory
- Line voltage for direct connection to load
- Low voltage units require power packs
- Compatible with all program start ballasts
- Multi-cell, multi-tier, 360° Fresnel lenses
- Lenses sealed and gasketed
- Lens choices for mounting between 20 and 40 ft.
- Polycarbonate, flame retardant, UV resistant, impact resistant
- Recyclable
- Qualifies for ARRA-funded public works projects



## Product Overview (cont.)

### Modular Design

The HB3x0W-Lx system includes a self-contained, line or low voltage sensor module with a 1/2" threaded nipple for attaching to wet location junction boxes and conduit hubs, and to the end of a fixture. It also contains a lens module that provides 360° coverage. Different coverage patterns are available by selecting the different lens options. Sensitivity and time delay adjustments are set using DIP switches located behind the lens.

### Applications

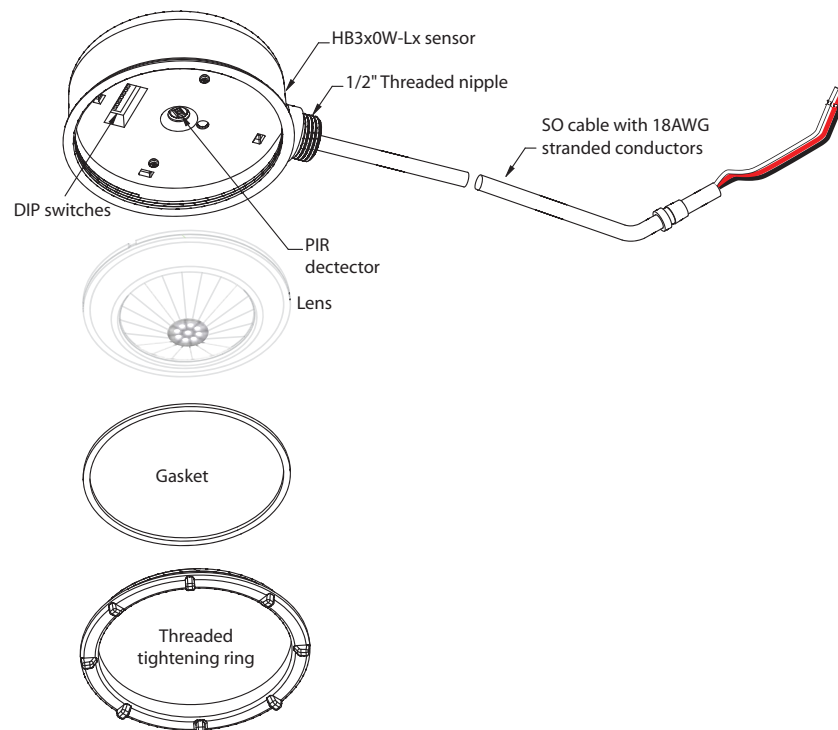
Engineered specifically for wet locations, the HB3x0W-Lx is ideal for a range of indoor and outdoor spaces such as nurseries and greenhouses, food processing facilities, parking garages, and industrial facilities. An optional HB Extender Module provides additional mounting flexibility.

## Specifications

- HB350W-L3 and HB350W-L4: 120/277 VAC, 60 Hz load @ 120 VAC 0-800W ballast/tungsten load @ 277 VAC 0-1200W ballast, 1/6 Hp
- HB340W-L3 and HB340W-L4: 347/480 VAC, 60 Hz load @ 347 VAC 0-1200W ballast load @480 VAC 0-1200W ballast
- HB300W-L3 and HB300W-L4: 24 VDC, requires power pack, see power pack for load ratings
- Factory preset 15-minute time delay
- Operating temperature: -40-158°F (-40-70°C)
- Operating humidity: 20-90%, non-condensing
- Maximum Dew Point: 85°F (29°C)
- UL and cUL listed
- UL rated raintight (UL244A and UL508)
- IP65 rated
- Lens choices for mounting between 20 and 40 feet
- Five year warranty

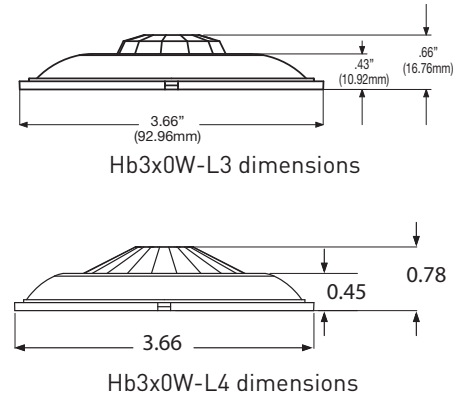
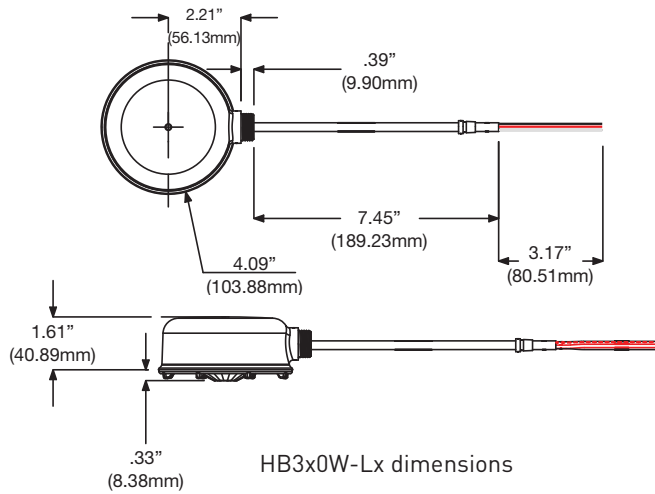
## Sensor Components

### Sensor and Lens Components and Assembly

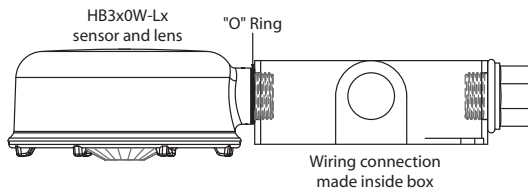


## Assembly & Mounting

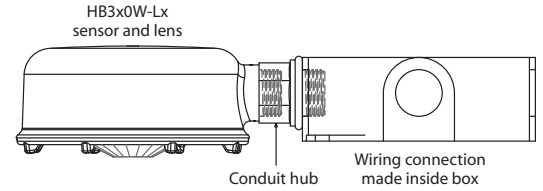
### Dimensions



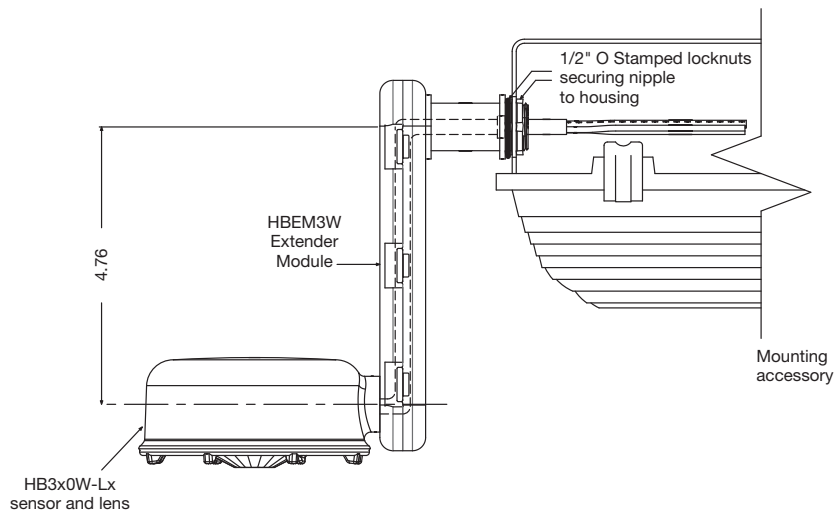
### Mounting Direct to J-box



### Mounting to J-box using Conduit Hub



### Mounting Using an HBEM3W Extender Module Accessory

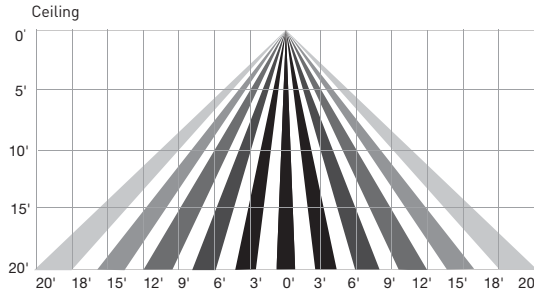


The 1/2" chase nipple facilitates mounting through fixture knockouts, or attaching to threaded J-boxes or conduit hubs. An accessory bag with an O-ring and two locknuts is available to accommodate various mounting needs. Mount the sensor so that the fixture does not obstruct the field of view.

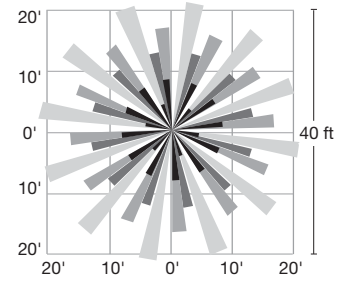


# Coverage

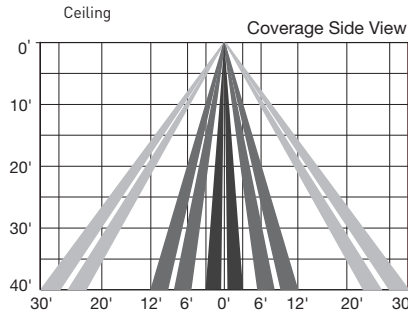
## Lens Choices



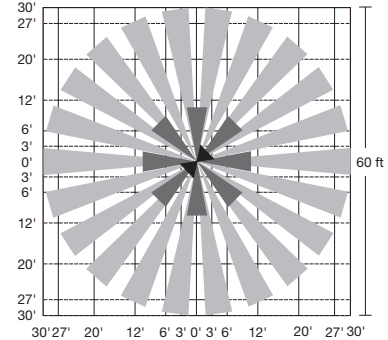
The HB3x0W-L3 side coverage pattern.



The HB3x0W-L3 top coverage pattern.



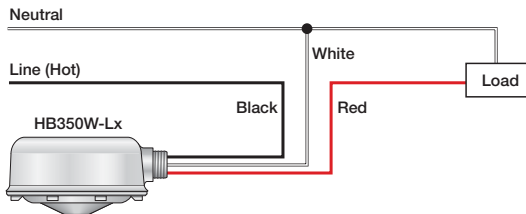
The HB3x0W-L4 side coverage pattern.



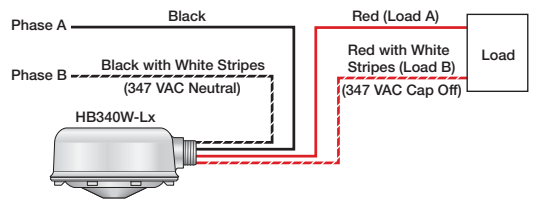
The HB3x0W-L4 top coverage pattern.

# Wiring & Connections

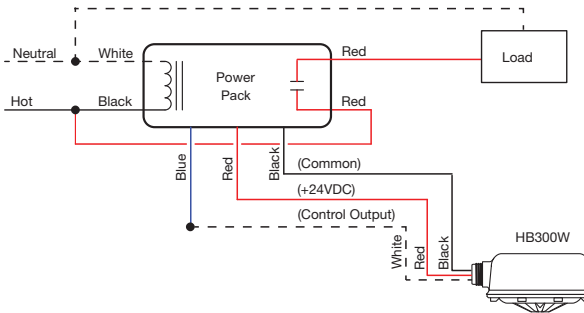
## Wiring for HB350W-Lx



## Wiring for HB340W-Lx



## Wiring for HB300W-Lx



# Ordering Information

Catalog No.	Color	Description	Lens
<input type="checkbox"/> HB350W-L3	White	120/277 VAC Sensor System	Wet location 360° lens, 40' diameter coverage from 20' height
<input type="checkbox"/> HB350W-L4	White	120/277 VAC Sensor System	Wet location 360° lens, 60' diameter coverage from 40' height
<input type="checkbox"/> HB340W-L3	White	347/480 VAC Sensor System	Wet location 360° lens, 40' diameter coverage from 20' height
<input type="checkbox"/> HB340W-L4	White	347/480 VAC Sensor System	Wet location 360° lens, 60' diameter coverage from 40' height
<input type="checkbox"/> HB300W-L3	White	24 VDC Sensor System	Wet location 360° lens, 40' diameter coverage from 20' height
<input type="checkbox"/> HB300W-L4	White	24 VDC Sensor System	Wet location 360° lens, 60' diameter coverage from 40' height
<input type="checkbox"/> HBEM3W	White	Extender Module Wet Location	