

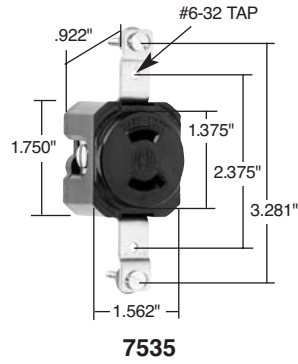
Pass & Seymour



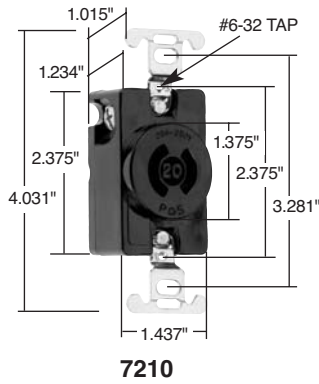
Turnlok® Locking Devices

Receptacles, Connectors, Plugs, Inlets, Outlets

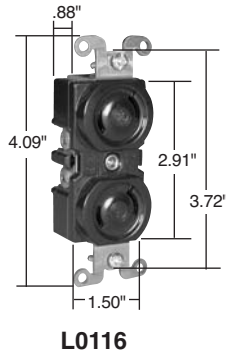
2 Wire Non-Grounding 15A, 125V & 20A, 250V



7535



7210



L0116



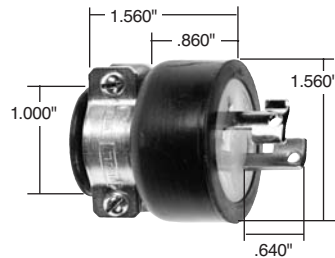
7526



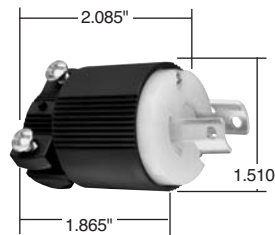
7506



7101



7547-DF



7102

Catalog Number	Rating A. V.	Description/Color	Cord Diameter	NEMA Config. No.	3rd Party Compliance		
					UL498	FSUL WC596	CSA
Receptacles							
7535	15 125	Single Receptacle		L1-15R	•		
L0116	15 125	Duplex Receptacle		L1-15R	•		
7210	20 250	Single Receptacle		L2-20R	•		
Connectors							
7506*	15 125	Black	.296"-.562"	L1-15R	•		
7101*	20 250	Black Back, White Front Body	.296"-.562"	L2-20R			
Plugs							
7547-DF	15 125	Black	.296"-.625"	L1-15P	•		
7102*	20 250	Black Back, White Front Body	.296"-.562"	L2-20P			
Flanged Inlets & Outlets							
L0115	15 125	Flanged Inlet		L1-15P	•		
7526	15 125	Flanged Outlet		L1-15R	•		

* For replacement use only.
Reference Pages H-31 and H-32 for Accessories.

2 Pole, 2 Wire

