



Pass & Seymour

Switches Extra Heavy-Duty Lighted 15, 20 & 30A; 120, 277 & 120/277VAC

PS15AC1-SL, PS15AC3-SL, PS20AC1-SL, PS20AC3-SL, PS15AC1-PL, PS15AC3-PL, PS20AC1-PL, PS20AC2-PL, PS20AC3-PL, PS30AC1-PL, PS30AC2-PL, PS30AC3-PL

Commercial quality with added convenience and safety.

These extra-rugged switches offer all the solid construction, excellent operating feel, and easy installation features of our Extra Heavy-Duty Switches. They add a choice of two light options. Lighted toggle switches are illuminated when off for easy location in the dark. Pilot lighted switches are illuminated when on for easy monitoring.



Features & Benefits

One-piece nickel-plated brass strap for superior corrosion-resistance.

Lighted when OFF for Lighted version. Lighted when ON for Pilot Lighted version.

Cam control and spring actuator for positive "makes and breaks" with a minimum of arcing.

Oversized silver-alloy contacts for long life and better heat dissipation.

Heavy-duty, brass alloy, one-piece contact arm virtually eliminates contact bounce.

Shallow design for easier installation.

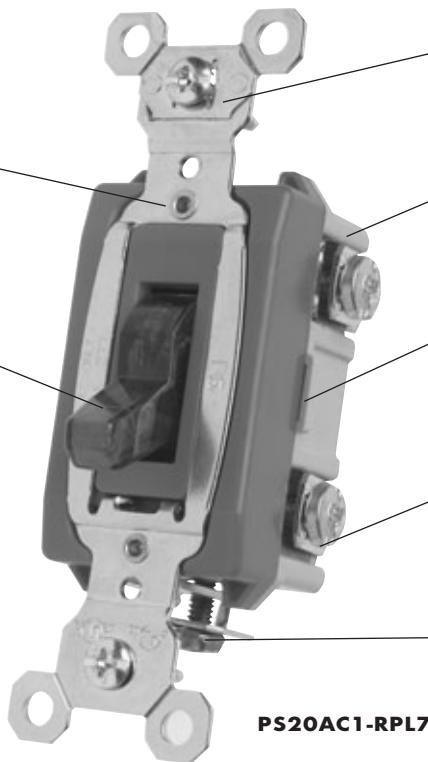
Auto-ground clip assures positive ground.

Glass-reinforced nylon back body for durability and strength.

Locking support provides resistance to face and back body separation.

Side and external screw-pressure-plate back wire with #14 – #10 AWG copper or copper-clad wire.

Grounding terminal is standard with screw-pressure-plate back wire.



PS20AC1-RPL7

Field Uses/Vertical Markets

- Industrial
- Health Care
- Education
- Institutional



Pass & Seymour

Switches Extra Heavy-Duty Lighted

15, 20 & 30A; 120, 277 & 120/277VAC

Ordering Information

Catalog Number			Rating		Color
Single Pole	Double Pole	Three-Way	A.	VAC	
Lighted Toggle Switches (Lighted when OFF) Back & Side Wire					
PS15AC1-CSL		PS15AC3-CSL	15	120/277	Clear
PS15AC1-ISL		PS15AC3-ISL	15	120/277	Ivory
PS15AC1-WSL		PS15AC3-WSL	15	120/277	White
PS20AC1-CSL		PS20AC3-CSL	20	120/277	Clear
PS20AC1-ISL		PS20AC3-ISL	20	120/277	Ivory
PS20AC1-WSL		PS20AC3-WSL	20	120/277	White
PS20AC1-LASL		PS20AC3-LASL	20	120/277	Light Almond
Pilot Lighted Switches (Lighted when ON) Back & Side Wire					
PS15AC1-CPL		PS15AC3-CPL	15	120	Clear
PS15AC1-RPL		PS15AC3-RPL	15	120	Red
PS20AC1-CPL		PS20AC3-CPL7	20	120	Clear
PS20AC1-CPL7		PS20AC3-RPL	20	277	Clear
PS20AC1-RPL		PS20AC3-RPL	20	120	Red
PS20AC1-RPL7		PS20AC3-RPL7	20	277	Red
	PS20AC2-CPL		20	120/277	Clear
	PS20AC2-RPL		20	120/277	Red
PS30AC1-RPL		PS30AC3-RPL	30	120	Red
	PS30AC2-RPL		30	120/277	Red

For more information on these and other P&S products refer to our Catalog or visit our web site.

SF102R2 – Updated April 2006 – For latest specs visit www.legrand.us/passandseymour

Switches Extra Heavy-Duty Lighted 15, 20 & 30A; 120, 277 & 120/277VAC



Pass & Seymour

Technical Specifications

3rd Party Compliance

UL Listed, File Number E140597, Standard UL20, General Use Snap Switches.
Federal Specification WS896.
cULus Listed, File Number LR17446, Standard CSA-C22.2 No. 111, General Use Snap Switches.
Conforms to NEMA WD-1 and WD-6.

Performance

Electrical

Dielectric Withstand Voltage	1500V Minimum
Maximum Working Voltage	277VAC
Overload	Minimum 4.8 times rated current for 100 cycles
Temperature Rise	30°C maximum at rated current
Maximum Continuous Current	277VAC
Endurance	50,000 cycles minimum, resistive, inductive, tungsten filament lamp load (Fed Spec)

Mechanical

Terminal Accommodations	#14 AWG – #10 AWG
-------------------------	-------------------

Environmental

Flammability	UL94 V2
Operating Temperature	Maximum continuous +115°C, minimum -40°C

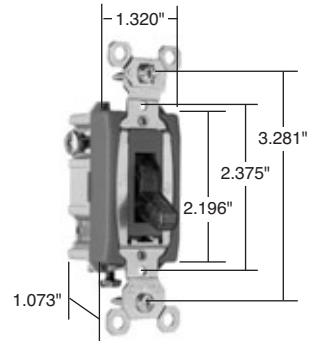
Materials

Back Body	Glass-Reinforced Nylon	Spring Arm	Brass
Front Body	Nylon	Bumper	Rubber
Toggle	Thermoplastic Polycarbonate	Spring	Zinc-Plated Steel
Terminals	Brass	Ground Terminal	Brass
Terminal Screws	Tri-Drive Brass	Ground Screw	Tri-Drive Zinc-Plated Steel
Strap	Nickel-Plated Brass	Auto-Ground Clip	Nickel-Plated Brass
Pressure Plate	Brass	Illuminating Lamp	Neon
Contacts	Silver Cadmium Oxide		

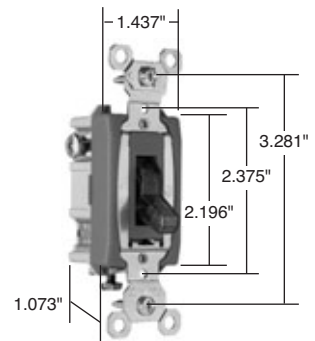
15 Amp Cover	Blue
20 Amp Cover	Red
30 Amp Cover	Green

Warranty

1 Year

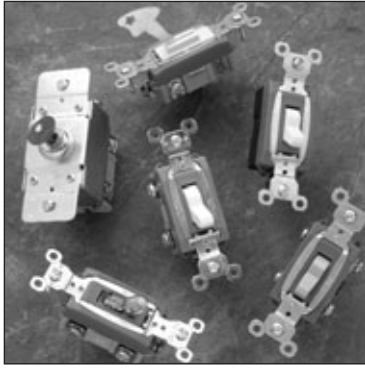


Dimensions for
15 & 20 Amp Lighted
and Pilot Lighted



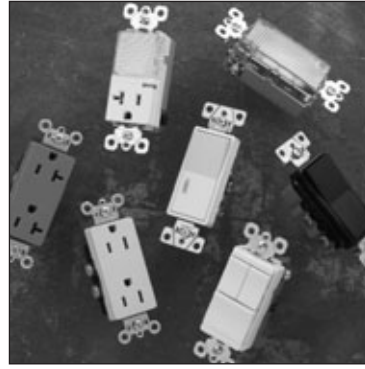
Dimensions for
30 Amp Lighted
and Pilot Lighted

Complimentary Devices & Accessories



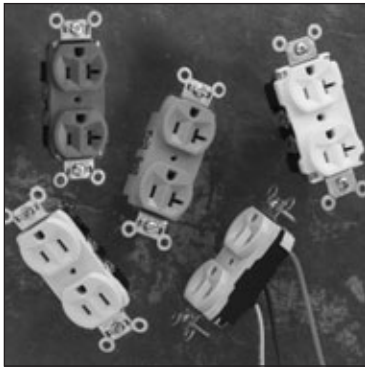
SWITCHES

- Heavy-Duty Toggle
- Heavy-Duty Security
- Heavy-Duty Locking
- Construction Grade Toggle
- Commercial Grade Toggle



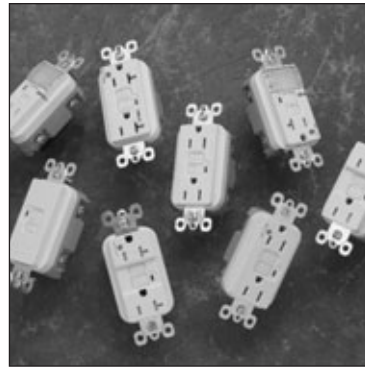
DECORATOR DEVICES

- Construction Grade Switches
- Specification Grade Combo Switches
- Construction Grade Receptacles
- Commercial Grade Receptacles
- Specification Grade Hallway Lights



STRAIGHT BLADE RECEPTACLES

- Extra Heavy-Duty
- Heavy-Duty
- Hard Use
- Construction Grade
- Construction Grade Leaded
- Commercial Grade



GFCIs

- Specification Grade
- Hospital Grade
- Dead Front



WALL PLATES

- TradeMaster® Thermoplastic Nylon
- Screwless Polycarbonate
- Stainless Steel
- Brass
- Aluminum
- Dustproof Stainless Steel Covers

Also available...

- Light Almond Devices
- Hospital Grade Devices
- PlugTail™ Devices
- TVSS & Isolated Ground Devices
- Ground Continuity Monitoring (GCM)
- Straight Blade Plugs & Connectors
- Turnlok® Locking Devices
- Weatherproof Boxes & Covers
- IEC 309 Industrial Products
- Flexcor® Wire Mesh Grips
- Configurable Solutions



Legrand/Pass & Seymour
 P.O. Box 4822
 Syracuse, NY 13221-4822
 800-223-4185

North America Headquarters
 60 Woodlawn Street
 West Hartford, CT 06110
 Phone: 1.877.BY.LEGRAND (295.3472)
 Fax: 1.860.232.2062
 www.legrand.us

Legrand Canada
 570 Applewood Crescent
 Vaughan, ON, L4K 4B4
 Phone: 905.738.9195
 Fax: 905.738.9721
 www.legrand.ca

SF102R2 — Updated April 2006 — For latest specs visit www.legrand.us/passandseymour