

Electrical Accessories Special Purpose Devices – Despard®

Pass & Seymour



Catalog Number		Color	Rating		3rd Party Compliance
Single Pole	Three-Way		A.	V.	UL UL20
Toggle Switches Screw Terminals					
ACD11	ACD3I	Ivory	15	120/277	•
ACD1W	ACD3W	White	15	120/277	•
ACD1	ACD3	Brown	15	120/277	•
ACD201I	ACD203I	Ivory	20	120/277	•
ACD201	ACD203	Brown	20	120/277	•

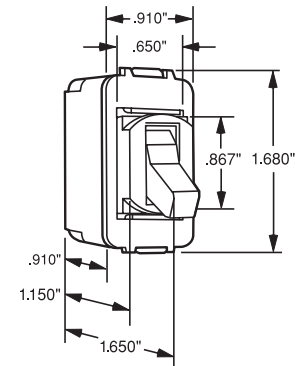
HP Conversion Table

15 Amp	1/2 Horsepower at 120V	2 Horsepower at 240V
20 Amp	1 Horsepower at 120V	2 Horsepower at 240V

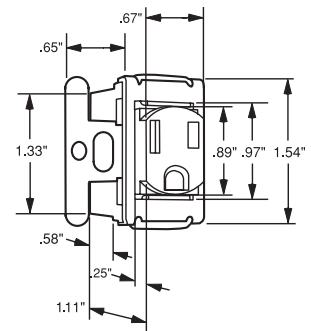
Catalog Number	Color	Rating A. V.	Description	3rd Party Compliance UL UL498
Receptacles Three Wire Grounding				
1432	Ivory	15 125	Must be installed in end opening of strap with Ground Lead	•
1532	White	15 125		•
1332	Brown	15 125		•
1433	Ivory	15 125		•
1333	Brown	15 125		•

Catalog Number			Rating		Description	3rd Party Compliance
Ivory	Brown	White	W.	V.		UL UL542
Neon Pilot Lights						
1475	1375	1575	1/25	125	Flush Red Neon Pilot Light with Screw Terminals	•
1475277	1375220		1/8	220		•
			1/6	277		•

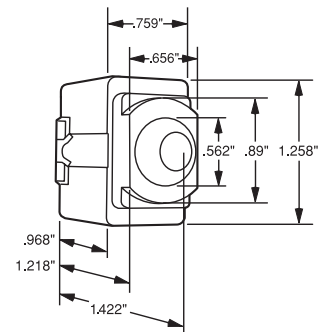
Catalog Number	Color	Rating A. V.	Description	3rd Party Compliance UL UL542
Flush Pilot Lights with Mounting Straps				
1376	Brown	6 125	Single, for Single Vertical Opening Plate	•
1377	Brown	6 125	Combination, for Switch or Outlet Plate	•



ACD1



1432



1475