

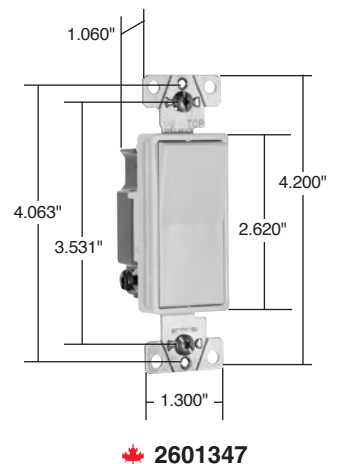
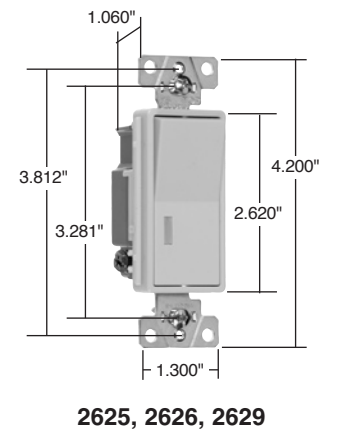
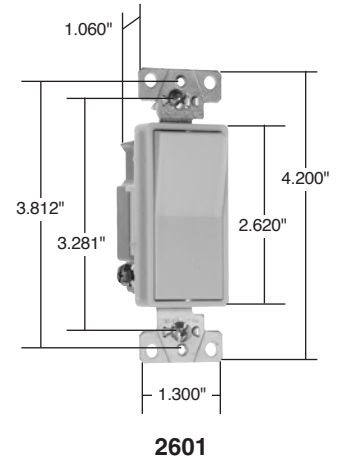
Decorator Devices Specification Grade Decorator Switches

15, 120/277 & 347VAC; 20A, 120VAC

Pass & Seymour



Features	
<ul style="list-style-type: none"> Impact-resistant polycarb back body and frame. Cushioned thermoplastic paddle assures smooth, quiet, long term operation. Unique single rocking butterfly contact provides long term consistent performance with significantly fewer moving parts. Internal screw-pressure-plate back and side wire capability for easy installation with #14 – #10 stranded or solid copper/copper clad wire. Terminals made of high conductivity brass and serrated for maximum wire gripping. 	<ul style="list-style-type: none"> Silver alloy contacts integrally formed to the butterfly actuator assures reliable performance. Integral auto-ground clip for positive ground to metal boxes. Tri-drive ground, terminal and mounting screws. All terminal screws backed out, ready-to-install.



Catalog Number				Rating A. VAC	Color	3rd Party Compliance	
Single Pole	Double Pole	Three-Way	Four-Way			UL20	C22.2 111
Specification Grade Decorator Switches Back & Side Wire*							
2601I		2603I	2604I	15 120/277	Ivory	•	•
2601W		2603W	2604W	15 120/277	White	•	•
2601GRY		2603GRY		15 120/277	Gray	•	•
2601BK		2603BK		15 120/277	Black	•	•
2601LA		2603LA	2604LA	15 120/277	Light Almond	•	•
2621I	2622I	2623I	2624I	20 120/277	Ivory	•	•
2621W	2622W	2623W	2624W	20 120/277	White	•	•
2621	2622	2623	2624	20 120/277	Brown	•	•
2621GRY	2622GRY	2623GRY	2624GRY	20 120/277	Gray	•	•
2621BK	2622BK	2623BK	2624BK	20 120/277	Black	•	•
2621RED		2623RED	2624RED	20 120/277	Red	•	•
2621LA	2622LA	2623LA	2624LA	20 120/277	Light Almond	•	•
Illuminated Decorator Switches (Lighted when OFF) Back & Side Wire*							
2625I		2626I	2628I	20 120	Ivory	•	•
2625W		2626W	2628W	20 120	White	•	•
2625				20 120	Brown	•	•
2625LA		2626LA	2628LA	20 120	Light Almond	•	•
Pilot Lighted Decorator Switches (Lighted when ON) Back & Side Wire*							
2629I				20 120	Ivory	•	•
2629W				20 120	White	•	•
2629LA				20 120	Light Almond	•	•

*For Configurable Solutions, see Page U-1.



Catalog Number				Rating A. VAC	Color	3rd Party Compliance	
Single Pole	Three-Way	Four-Way	A. VAC			UL20	C22.2 111
Specification Grade Decorator Switches Back & Side Wire							
2601347I	2603347I			15 347	Ivory	•	•
2601347W	2603347W			15 347	White	•	•
2601347GRY				15 347	Gray	•	•
2601347LA				15 347	Light Almond	•	•
2621347I	2623347I	2624347I		20 347	Ivory	•	•
2621347W	2623347W	2624347W		20 347	White	•	•
2621347GRY	2623347GRY			20 347	Gray	•	•
2621347BK	2623347BK			20 347	Black	•	•
2621347RED	2623347RED			20 347	Red	•	•
2621347LA	2623347LA	2624347LA		20 347	Light Almond	•	•
* Denotes Canadian catalog number. All Canadian products have Combination Slotted/Robertson Head Brass Screws.							

All devices listed on this page conform to NEMA WD-1 and WD-6.