

Plugmold AL2000 Series Aluminum Part Numbering System

AL2000 Series Aluminum Plugmold Series – Example: AL20GB306



A L	2 0	G B	3	0 6
COLOR:	RACEWAY:	WIRING CONFIGURATION:	LENGTH:	CENTER DISTANCE:
Aluminum = AL	2000 = 20	GB = GB GBA = GBA IG = IG*	24" [608mm] = 2 36" [915mm] = 3 60" [1.5m] = 5 72" [1.8m] = 6	6" [152mm] = 6 9" [229mm] = 9 12" [305mm] = 12 18" [457mm] = 18

NOTE: Not all combinations of color, wiring configurations, length, and center distance are available as standard products. For additional information on custom options, contact Wiremold Technical Support at 1-800-621-0049.

NOTE: AL2000 Series Aluminum Plugmold products are available in an anodized finish with gray receptacles.

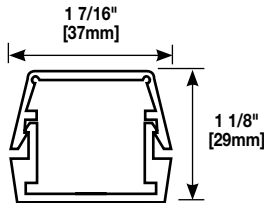
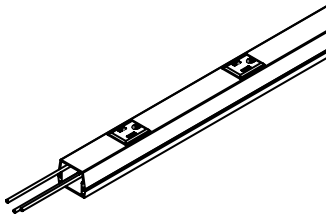
* All AL2000 Series Plugmold products include two (2) AL2010B Blank End Fittings and one (1) AL2001 Base Coupling unless otherwise indicated in the product description.

Plugmold AL2000 Series Aluminum Multioutlet Systems Ordering Information

Product	Description/Specifications
---------	----------------------------

Plugmold AL2000 Series

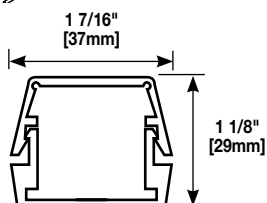
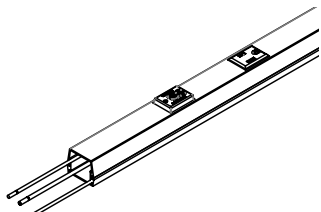
Available in 3' [914mm], 5' [1.5m] and 6' [1.8m] lengths with 6" [152mm], 12" [305mm] and 18" [457mm] receptacle spacing. 15A tamper-resistant receptacles. 3-wire, #12 THHN (1 hot, 1 neutral, and insulated ground conductor). .040" [1.0mm] steel housing. Packed 2 per carton. Each unit supplied with one (1) Coupling and two (2) Blank End Fittings.



CATALOG NO.	FINISH	LENGTH		WIRING CONFIG	CENTER DISTANCE		OUTLETS	
		Feet	[mm]		Inches	[mm]	QUANTITY & TYPE	
AL20GB306	Aluminum	3'	[915mm]	GB	6"	[152mm]	6 Single	15A
AL20GIG306	Aluminum	3'	[915mm]	IG	6"	[152mm]	6 Single	15A
AL20GB506	Aluminum	5'	[1.5m]	GB	6"	[152mm]	10 Single	15A
AL20GB512	Aluminum	5'	[1.5m]	GB	12"	[305mm]	5 Single	15A
AL20IG506	Aluminum	5'	[1.5m]	IG	6"	[152mm]	10 Single	15A
AL20GB606	Aluminum	6'	[1.8m]	GB	6"	[152mm]	12 Single	15A
AL20GB612	Aluminum	6'	[1.8m]	GB	12"	[305mm]	6 Single	15A
AL20GB618	Aluminum	6'	[1.8m]	GB	18"	[457mm]	4 Single	15A
AL20GBA606	Aluminum	6'	[1.8m]	GBA	6"	[152mm]	12 Single	15A
AL20GBA612	Aluminum	6'	[1.8m]	GBA	12"	[305mm]	6 Single	15A
AL20GBA618	Aluminum	6'	[1.8m]	GBA	18"	[457mm]	4 Single	15A
AL20IG606	Aluminum	6'	[1.8m]	IG	6"	[152mm]	12 Single	15A
AL20IG618	Aluminum	6'	[1.8m]	IG	18"	[457mm]	4 Single	15A

Aluminum GFCI Plugmold

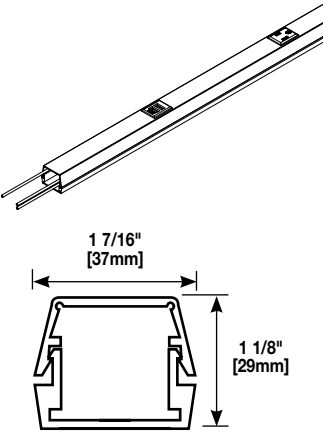
GFCI Module provides downstream protection for all outlets and connections. Available in 3' [914mm], 5' [1.5m] and 6' [1.8m] lengths with 6" [152mm] receptacle spacing. 15A tamper-resistant receptacles. 3-wire, #12 THHN (1 hot, 1 neutral, and insulated ground conductor). .040" [1.0mm] steel housing. Packed 2 per carton. Each unit supplied with one (1) Coupling and two (2) Blank End Fittings. GFCI Class A 20A 125V 60Hz.

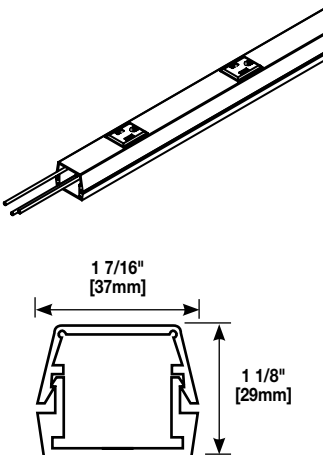


CATALOG NO.	FINISH	LENGTH		WIRING CONFIG	CENTER DISTANCE		OUTLETS	
		Feet	[mm]		Inches	[mm]	QUANTITY & TYPE	
AL20GB306TRGFI	Aluminum	3'	[915mm]	GB	6"	[152mm]	1 GFCI, 5 Single	15A
AL20GB506TRGFI	Aluminum	5'	[1.5m]	GB	6"	[152mm]	1 GFCI, 9 Single	15A

NOTE: GFCI module does not contain an outlet.

Plugmold AL2000 Series Aluminum Multioutlet Systems Ordering Information (continued)

Product	Description/Specifications																		
<p>Aluminum USB Plugmold</p> 	<p>Available in 3' [914mm], 5' [1.5m] and 6' [1.8m] lengths with 6" [152mm] receptacle spacing. 15A tamper-resistant receptacles. 3-wire, #12 THHN (1 hot, 1 neutral, and insulated ground conductor). .040" [1.0mm] steel housing. Packed 2 per carton. Each unit supplied with one (1) Coupling and two (2) Blank End Fittings. Please note the charging load on one module will not affect the charging performance of the other USB modules in the product.</p> <table border="1" style="width: 100%; border-collapse: collapse; margin-top: 10px;"> <thead> <tr style="background-color: #333; color: white;"> <th>CATALOG NO.</th> <th>FINISH</th> <th>LENGTH Feet [mm]</th> <th>WIRING CONFIG</th> <th>CENTER DISTANCE Inches [mm]</th> <th>OUTLETS QUANTITY & TYPE</th> </tr> </thead> <tbody> <tr> <td>AL20GB306TRUSB</td> <td>Aluminum</td> <td>3' [915mm]</td> <td>GB</td> <td>6" [152mm]</td> <td>1 USB, 5 Single 15A</td> </tr> <tr> <td>AL20GB506TRUSB</td> <td>Aluminum</td> <td>5' [1.5m]</td> <td>GB</td> <td>6" [152mm]</td> <td>1 USB, 9 Single 15A</td> </tr> </tbody> </table>	CATALOG NO.	FINISH	LENGTH Feet [mm]	WIRING CONFIG	CENTER DISTANCE Inches [mm]	OUTLETS QUANTITY & TYPE	AL20GB306TRUSB	Aluminum	3' [915mm]	GB	6" [152mm]	1 USB, 5 Single 15A	AL20GB506TRUSB	Aluminum	5' [1.5m]	GB	6" [152mm]	1 USB, 9 Single 15A
CATALOG NO.	FINISH	LENGTH Feet [mm]	WIRING CONFIG	CENTER DISTANCE Inches [mm]	OUTLETS QUANTITY & TYPE														
AL20GB306TRUSB	Aluminum	3' [915mm]	GB	6" [152mm]	1 USB, 5 Single 15A														
AL20GB506TRUSB	Aluminum	5' [1.5m]	GB	6" [152mm]	1 USB, 9 Single 15A														

<p>Aluminum Tamper-Resistant Plugmold</p> 	<p>Available in 3' [914mm], 5' [1.5m] and 6' [1.8m] lengths with 6" [152mm] receptacle spacing. 15A tamper-resistant receptacles. 3-wire, #12 THHN (1 hot, 1 neutral, and insulated ground conductor). .040" [1.0mm] steel housing. Packed 2 per carton. Each unit supplied with one (1) Coupling and two (2) Blank End Fittings.</p> <table border="1" style="width: 100%; border-collapse: collapse; margin-top: 10px;"> <thead> <tr style="background-color: #333; color: white;"> <th>CATALOG NO.</th> <th>FINISH</th> <th>LENGTH Feet [mm]</th> <th>WIRING CONFIG</th> <th>CENTER DISTANCE Inches [mm]</th> <th>OUTLETS QUANTITY & TYPE</th> </tr> </thead> <tbody> <tr> <td>AL20GB306TR</td> <td>Aluminum</td> <td>3' [915mm]</td> <td>GB</td> <td>6" [152mm]</td> <td>6 Single TR 15A</td> </tr> <tr> <td>AL20GB506TR</td> <td>Aluminum</td> <td>5' [1.5m]</td> <td>GB</td> <td>6" [152mm]</td> <td>9 Single TR 15A</td> </tr> </tbody> </table>	CATALOG NO.	FINISH	LENGTH Feet [mm]	WIRING CONFIG	CENTER DISTANCE Inches [mm]	OUTLETS QUANTITY & TYPE	AL20GB306TR	Aluminum	3' [915mm]	GB	6" [152mm]	6 Single TR 15A	AL20GB506TR	Aluminum	5' [1.5m]	GB	6" [152mm]	9 Single TR 15A
CATALOG NO.	FINISH	LENGTH Feet [mm]	WIRING CONFIG	CENTER DISTANCE Inches [mm]	OUTLETS QUANTITY & TYPE														
AL20GB306TR	Aluminum	3' [915mm]	GB	6" [152mm]	6 Single TR 15A														
AL20GB506TR	Aluminum	5' [1.5m]	GB	6" [152mm]	9 Single TR 15A														

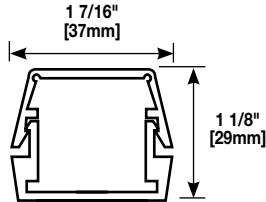
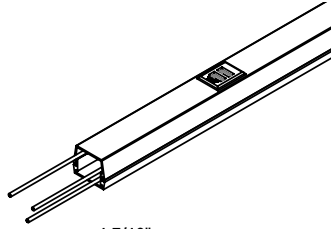
NOTE: AL2000 Series Aluminum Plugmold products are available in an anodized finish with gray receptacles.
 All AL2000 Series Plugmold products include two (2) AL2010B Blank End Fittings and one (1) AL2001 Base Coupling unless otherwise indicated in the product description.

Plugmold AL2000 Series Aluminum Multioutlet Systems Ordering Information (continued)

Product **Description/Specifications**

Aluminum All USB Plugmold

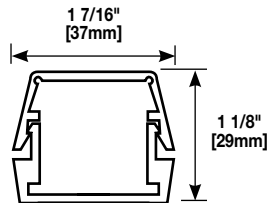
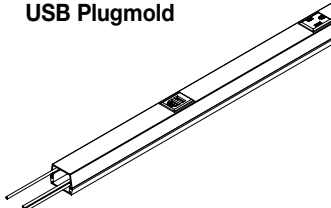
Available in 3' [914mm], and 5' [1.5m] lengths with 12" spacing. USB is 2.4 Amps (shared between two ports) 5VDC. .040" [1.0mm] steel housing. Packed two per carton. Each unit supplied with one (1) Coupling and two (2) Blank End Fittings.



CATALOG NO.	FINISH	LENGTH		WIRING CONFIG	CENTER DISTANCE		OUTLETS QUANTITY & TYPE
		Feet	[mm]		Inches	[mm]	
AL20USB312	Aluminum	3'	[915mm]	USB	12"	[305mm]	3 USB Modules
AL20USB512	Aluminum	5'	[1.5m]	USB	12"	[305mm]	5 USB Modules

Aluminum Alternating USB Plugmold

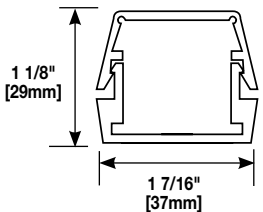
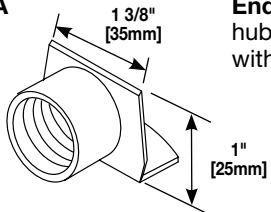
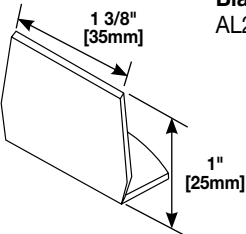
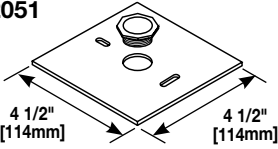
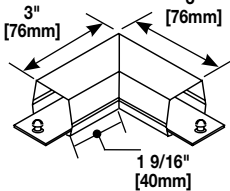
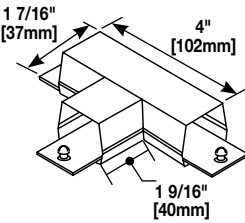
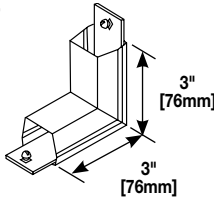
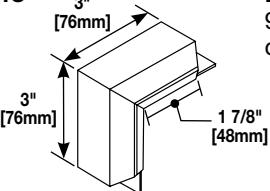
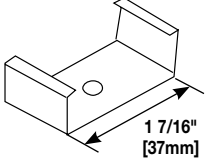
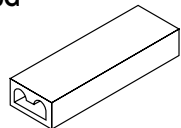
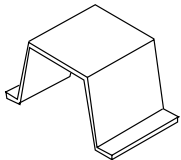
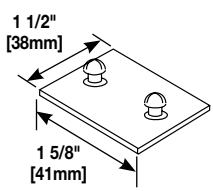
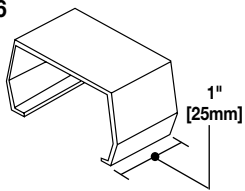
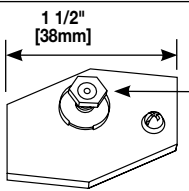
Available in 5' [1.5m] length with 9" spacing. 15A tamper-resistant receptacles. 3-wire, #12 THHN (1 hot, 1 neutral and insulated ground conductor). .040" [1.0 mm] steel housing. Packed two per carton. Each unit supplied with one (1) Coupling and two (2) Blank End Fittings. USB is 2.4 Amps (shared between two ports) 5VDC. Please note the charging load on one module will not affect the charging performance of the other USB modules in the product.



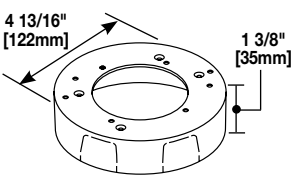
CATALOG NO.	FINISH	LENGTH		WIRING CONFIG	CENTER DISTANCE		OUTLETS QUANTITY & TYPE
		Feet	[mm]		Inches	[mm]	
AL20GB509TRUSBA	Aluminum	5'	[1.5m]	GB/USB	9"	[229mm]	3 Outlets/3USB Modules

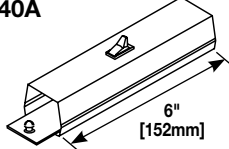
NOTE: AL2000 Series Aluminum Plugmold products are available in an anodized finish with gray receptacles. All AL2000 Series Plugmold products include two (2) AL2010B Blank End Fittings and one (1) AL2001 Base Coupling unless otherwise indicated in the product description.

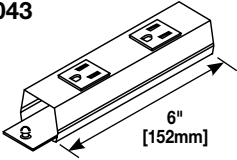
AL2000 Series Raceway Fittings Ordering Information

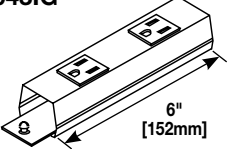
Catalog No./Item	Description/Specifications																
<p>AL2000</p>  <p style="text-align: center;">1 1/8" [29mm]</p> <p style="text-align: center;">1 7/16" [37mm]</p>	<p>Base and Cover – 6063-T5 extruded aluminum, satin anodized finish, .060" [1.5mm] nominal thickness.</p> <p>Cross-Sectional Area: 1in² [645mm²]</p> <table border="1" style="width: 100%; border-collapse: collapse; margin-top: 10px;"> <thead> <tr> <th>ITEM</th> <th>CAT. NO.</th> <th>LENGTH</th> <th>MATERIAL</th> </tr> </thead> <tbody> <tr> <td>Base</td> <td>AL2000B-5</td> <td>5' [1.5m]</td> <td>.060 Aluminum</td> </tr> <tr> <td>Cover</td> <td>AL2000C-5</td> <td>5' [1.5m]</td> <td>.060 Aluminum</td> </tr> <tr> <td>Base</td> <td>AL2000B-10</td> <td>10' [3.m]</td> <td>.060 Aluminum</td> </tr> </tbody> </table>	ITEM	CAT. NO.	LENGTH	MATERIAL	Base	AL2000B-5	5' [1.5m]	.060 Aluminum	Cover	AL2000C-5	5' [1.5m]	.060 Aluminum	Base	AL2000B-10	10' [3.m]	.060 Aluminum
ITEM	CAT. NO.	LENGTH	MATERIAL														
Base	AL2000B-5	5' [1.5m]	.060 Aluminum														
Cover	AL2000C-5	5' [1.5m]	.060 Aluminum														
Base	AL2000B-10	10' [3.m]	.060 Aluminum														
<p>AL2010A</p>  <p style="text-align: center;">1 3/8" [35mm]</p> <p style="text-align: center;">1" [25mm]</p>	<p>End Fitting – With 1/2" hub adapter. Use with AL2000 Series.</p>																
<p>AL2010B</p>  <p style="text-align: center;">1 3/8" [35mm]</p> <p style="text-align: center;">1" [25mm]</p>	<p>Blank End – Use with AL2000 Series.</p>																
<p>AL2051</p>  <p style="text-align: center;">4 1/2" [114mm]</p> <p style="text-align: center;">4 1/2" [114mm]</p>	<p>Box Adapter – For feeding raceway from an existing wall outlet.</p>																
<p>AL2011</p>  <p style="text-align: center;">3" [76mm]</p> <p style="text-align: center;">3" [76mm]</p> <p style="text-align: center;">1 9/16" [40mm]</p>	<p>90° Flat Elbow – For right angle turn on same surface. Comes with two couplings.</p>																
<p>AL2015</p>  <p style="text-align: center;">1 7/16" [37mm]</p> <p style="text-align: center;">4" [102mm]</p> <p style="text-align: center;">1 9/16" [40mm]</p>	<p>Tee – For branch connection of two runs of AL2000 Raceway. Three couplings furnished.</p>																
<p>AL2017</p>  <p style="text-align: center;">3" [76mm]</p> <p style="text-align: center;">3" [76mm]</p>	<p>Internal Elbow – For bending around internal corners. Two couplings furnished.</p>																
<p>AL2018</p>  <p style="text-align: center;">3" [76mm]</p> <p style="text-align: center;">3" [76mm]</p> <p style="text-align: center;">1 7/8" [48mm]</p>	<p>External Elbow – For making 90° external corners. Two couplings furnished.</p>																
<p>AL2003</p>  <p style="text-align: center;">1 7/16" [37mm]</p>	<p>Supporting Clip – Mount to surface with No. 8 flathead screws. Use with AL2000 Series.</p>																
<p>W30/W30G</p>  <p style="margin-top: 10px;">NOTE: Not for use with aluminum conductors.</p>	<p>Pressure-Type Wire Connectors –</p> <p>W30 – For common connection of two, three, or four No. 12 or No.14 solid copper conductors (White).</p> <p>W30G – For connection of equipment grounding of 2, 3, or 4 solid conductors No. 14 or No. 12 AWG (Green). 300V maximum; 20A 105° C maximum.</p>																
<p>AL2000WC</p> 	<p>Wire Clip – Holds conductors in place in raceway (nonmetallic).</p>																
<p>AL2001</p>  <p style="text-align: center;">1 1/2" [38mm]</p> <p style="text-align: center;">1 5/8" [41mm]</p>	<p>Coupling – For joining lengths of raceway. Use with AL2000 Series.</p>																
<p>AL2006</p>  <p style="text-align: center;">1" [25mm]</p>	<p>Cover Clip – For covering joint where lengths of cover or base adjoin. Use with AL2000 Series.</p>																
<p>AL2009</p>  <p style="text-align: center;">1 1/2" [38mm]</p>	<p>Ground Clamp – Use with AL2000 Series.</p> <p>#8 Ground Stud W/Cup Washer</p>																

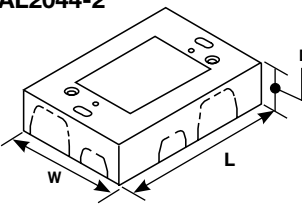
AL2000 Series Raceway Fittings Ordering Information (continued)

Catalog No./Item	Description/Specification
AL2038 	Round Fixture Box (Solid Base) – Designed for use in hanging fixtures. Cover takes any device with mounting screw centers of 2 3/4", 3 1/2", and 4 1/16" [70mm, 89mm, and 103mm]. Base has concentric 1/2" and 3/4" KO's.

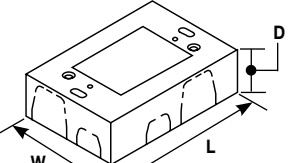
AL2040A 	In-line Single Pole Switch – Single pole 120V switch. Two couplings furnished.
---	---

AL2043 	In-line Receptacle – Two 15A, 120V U-ground factory wired receptacles. Couplings furnished. Receptacles are not tamper-resistant.
--	--

AL2043IG 	In-line Isolated Ground Receptacle – Two 15A, 120V factory wired, isolated ground, orange receptacles. Couplings furnished.
---	--

Catalog No./Item	Description/Specification
AL2044 AL2044-2 	Deep Device Box – For receptacles and deep devices such as those of signal and alarm systems. Base has open back plate for mounting to existing wall box and solid back plate insert with 1/2" (AL2000 Raceway) and 3/4" (AL2000 Raceway) KO to close opening.

CAT. NO.	L	W	D	GANG #
AL2044	4 5/8" [117mm]	3 1/16" [73mm]	2 1/4" [57mm]	1
AL2044-2	4 5/8" [117mm]	4 27/32" [121mm]	2 1/2" [64mm]	2

AL2047 	Shallow Switch and Receptacle Box – Designed for standard shallow switches and receptacles. Base has open back plate for mounting to existing wall box and solid back plate insert with 1/2" and 3/4" KO to close opening.
---	---

CAT. NO.	L	W	D	GANG #
AL2047	4 5/8" [117mm]	3 1/16" [73mm]	1 3/8" [35mm]	1
AL2047-2	4 5/8" [117mm]	4 27/32" [121mm]	1 3/8" [35mm]	2

Nonmetallic Plugmold® Multioutlet Assemblies

Nonmetallic Plugmold Multitoutlet Systems provides a versatile solution for many applications. Plugmold sections offer single or alternating circuits, standard or isolated ground receptacles, and Snapicoil® harnesses of prewired receptacles or cord ended units.

Nonmetallic Plugmold has a textured ivory finish with duplex receptacles, and can be customized to accommodate virtually any application.

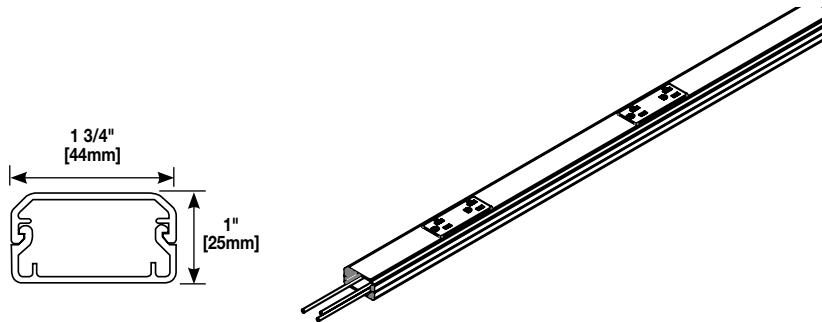


Nonmetallic Plugmold Multioutlet Systems are available in a variety of configurations.

Plugmold NM2000 Series Wire Fill Capacities for Power				
CABLE TYPE	WIRE SIZE THHN/THWN	O.D.		NUMBER OF CONDUCTORS (40% FILL) NM2000*/NM2400
		Inches	[mm]	
POWER WIRING WITHOUT DEVICES	10 AWG	0.164	[4.2]	15
	12 AWG	0.130	[3.3]	31
	14 AWG	0.111	[2.8]	45
POWER WIRING WITH DEVICES (Plugmold Series)	10 AWG	0.153	[3.9]	—
	12 AWG	0.122	[3.1]	8**
	14 AWG	0.105	[2.7]	8**

* Wire capacity limited to maximum of seven conductors due to .025" [.6mm] material thickness of cover.

** Including one hot, neutral, and ground wire from the receptacle.



Nonmetallic Plugmold Multioutlet Systems are ideal solutions for a variety of applications.

Plugmold NM2000 Series Nonmetallic Part Numbering System

NM2000 Series Nonmetallic Plugmold Series – Example: NM20GB306



N M

2 0

G B

3

0 6

COLOR:	AMPERAGE:	WIRING CONFIGURATION:	LENGTH:	CENTER DISTANCE:
Nonmetallic = NM	2000 = 15A 2400 = 20A	GB = GB GBA = GBA IG = IG*	48" [1.2m] = 4 60" [1.5m] = 6 72" [1.8m] = 6	9" [229mm] = 9 12" [305mm] = 12 18" [457mm] = 18 30" [760mm] = 30

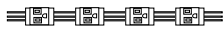
NOTE: Not all combinations of color, wiring configurations, length, and center distance are available as standard products. For additional information on custom options, contact Wiremold Technical Support at 1-800-621-0049.

NOTE: NM2000 Series Nonmetallic Plugmold products are available in an ivory finish with ivory receptacles.

* All NM2000 Series Plugmold products include two (2) NM2010B Blank End Fittings unless otherwise indicated in the product description.

Plugmold NM2000 Series Raceway Wiring Configurations

With Snapicoil



GB Series:

3-wire, #12 THHN (1 hot, 1 neutral and 1 ground), 1 circuit; has insulated grounding conductor.



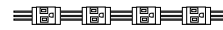
GBA Series:

4-wire, #12 THHN (2 hot, 1 neutral and 1 ground), 2 circuit; outlets wired alternately; has insulated grounding conductor.



IG Series:

3-wire, #12 THHN (1 hot, 1 neutral and 1 ground), 1 circuit; has insulated-isolated grounding conductor. Orange receptacles.



GB Series:

3-wire, #12 THHN (1 hot, 1 neutral and 1 ground), 1 circuit; has insulated grounding conductor.



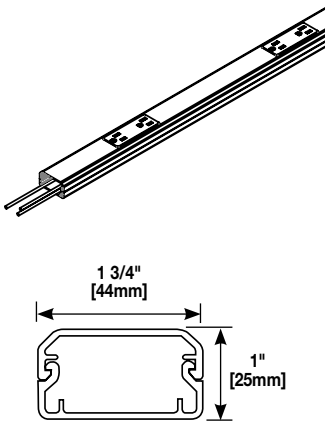
GBA Series:

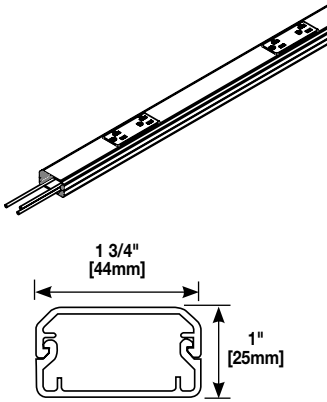
4-wire, #12 THHN (2 hot, 1 neutral and 1 ground), 2 circuit; outlets wired alternately; has insulated grounding conductor.

NOTE: **SNAPICOIL REELS** on custom order. Snapicoil harness is available on reels if lengths greater than 50' are needed, or if multiple lengths are required for production-type jobs. The maximum length per reel is 240' for Snapicoil with outlets 12" and 18" on centers; 500' with outlets 30" on center. Packaging includes the necessary number of lengths of base, holecut cover, wire clips, and couplings for complete installation. Price and delivery information should be obtained prior to specifying or ordering. To specify or order, add "R" to the Snapicoil number. Ex: V20GB12R. Other outlet spacings available on custom order.

Receptacles are made from high impact thermoplastic. Snapicoil packaging includes the necessary lengths of 2000B Base, 2000C Hole Cut Cover, 2000WC Wire Clips, and 2001 Couplings for complete installation.

Plugmold NM2000 Series Nonmetallic Multioutlet Systems Ordering Information

Product	Description/Specifications																																																																																																																																																
<p>Plugmold NM2000 Series</p> 	<p>Available in 3' [914mm], 5' [1.5m] and 6' [1.8m] lengths with 6" [152mm], 12" [305mm] and 18" [457mm] receptacle spacing. 15A tamper-resistant receptacles. 3-wire, #12 THHN (1 hot, 1 neutral, and insulated ground conductor). .040" [1.0mm] steel housing. Packed 2 per carton. Each unit supplied with one (1) Coupling and two (2) Blank End Fittings.</p> <table border="1" style="width: 100%; border-collapse: collapse; margin-top: 10px;"> <thead> <tr> <th>CATALOG NO.</th> <th>FINISH</th> <th colspan="2">LENGTH</th> <th>WIRING CONFIG</th> <th colspan="2">CENTER DISTANCE</th> <th colspan="2">OUTLETS QUANTITY & TYPE</th> </tr> <tr> <th></th> <th></th> <th>Feet</th> <th>[mm]</th> <th></th> <th>Inches</th> <th>[mm]</th> <th></th> <th></th> </tr> </thead> <tbody> <tr><td>NM20GB412</td><td>Nonmetallic</td><td>4'</td><td>[1.2m]</td><td>GB</td><td>12"</td><td>[305mm]</td><td>4 Duplex</td><td>15A</td></tr> <tr><td>NM20GBA412</td><td>Nonmetallic</td><td>4'</td><td>[1.2m]</td><td>GBA</td><td>12"</td><td>[305mm]</td><td>4 Duplex</td><td>15A</td></tr> <tr><td>NM20IG412</td><td>Nonmetallic</td><td>4'</td><td>[1.2 m]</td><td>GB</td><td>12"</td><td>[305mm]</td><td>4 Duplex</td><td>15A</td></tr> <tr><td>NM20GB512</td><td>Nonmetallic</td><td>5'</td><td>[1.5m]</td><td>GB</td><td>12"</td><td>[305mm]</td><td>5 Duplex</td><td>15A</td></tr> <tr><td>NM20GB515</td><td>Nonmetallic</td><td>5'</td><td>[1.5m]</td><td>GB</td><td>15"</td><td>[381mm]</td><td>4 Duplex</td><td>15A</td></tr> <tr><td>NM20GB530</td><td>Nonmetallic</td><td>5'</td><td>[1.5m]</td><td>GB</td><td>30"</td><td>[760mm]</td><td>2 Duplex</td><td>15A</td></tr> <tr><td>NM20GBA512</td><td>Nonmetallic</td><td>5'</td><td>[1.5m]</td><td>GBA</td><td>12"</td><td>[305mm]</td><td>5 Duplex</td><td>15A</td></tr> <tr><td>NM20IG512</td><td>Nonmetallic</td><td>5'</td><td>[1.5m]</td><td>IG</td><td>12"</td><td>[305mm]</td><td>5 Duplex</td><td>15A</td></tr> <tr><td>NM20GB609</td><td>Nonmetallic</td><td>6'</td><td>[1.8m]</td><td>GB</td><td>9"</td><td>[229mm]</td><td>8 Duplex</td><td>15A</td></tr> <tr><td>NM20GB612</td><td>Nonmetallic</td><td>6'</td><td>[1.8m]</td><td>GB</td><td>12"</td><td>[305mm]</td><td>6 Duplex</td><td>15A</td></tr> <tr><td>NM20GB618</td><td>Nonmetallic</td><td>6'</td><td>[1.8m]</td><td>GB</td><td>18"</td><td>[457mm]</td><td>4 Duplex</td><td>15A</td></tr> <tr><td>NM20GBA609</td><td>Nonmetallic</td><td>6'</td><td>[1.8m]</td><td>GBA</td><td>9"</td><td>[229mm]</td><td>8 Duplex</td><td>15A</td></tr> <tr><td>NM20GBA612</td><td>Nonmetallic</td><td>6'</td><td>[1.8m]</td><td>GBA</td><td>12"</td><td>[305mm]</td><td>6 Duplex</td><td>15A</td></tr> <tr><td>NM20IG612</td><td>Nonmetallic</td><td>6'</td><td>[1.8m]</td><td>IG</td><td>12"</td><td>[305mm]</td><td>6 Duplex</td><td>15A</td></tr> </tbody> </table>	CATALOG NO.	FINISH	LENGTH		WIRING CONFIG	CENTER DISTANCE		OUTLETS QUANTITY & TYPE				Feet	[mm]		Inches	[mm]			NM20GB412	Nonmetallic	4'	[1.2m]	GB	12"	[305mm]	4 Duplex	15A	NM20GBA412	Nonmetallic	4'	[1.2m]	GBA	12"	[305mm]	4 Duplex	15A	NM20IG412	Nonmetallic	4'	[1.2 m]	GB	12"	[305mm]	4 Duplex	15A	NM20GB512	Nonmetallic	5'	[1.5m]	GB	12"	[305mm]	5 Duplex	15A	NM20GB515	Nonmetallic	5'	[1.5m]	GB	15"	[381mm]	4 Duplex	15A	NM20GB530	Nonmetallic	5'	[1.5m]	GB	30"	[760mm]	2 Duplex	15A	NM20GBA512	Nonmetallic	5'	[1.5m]	GBA	12"	[305mm]	5 Duplex	15A	NM20IG512	Nonmetallic	5'	[1.5m]	IG	12"	[305mm]	5 Duplex	15A	NM20GB609	Nonmetallic	6'	[1.8m]	GB	9"	[229mm]	8 Duplex	15A	NM20GB612	Nonmetallic	6'	[1.8m]	GB	12"	[305mm]	6 Duplex	15A	NM20GB618	Nonmetallic	6'	[1.8m]	GB	18"	[457mm]	4 Duplex	15A	NM20GBA609	Nonmetallic	6'	[1.8m]	GBA	9"	[229mm]	8 Duplex	15A	NM20GBA612	Nonmetallic	6'	[1.8m]	GBA	12"	[305mm]	6 Duplex	15A	NM20IG612	Nonmetallic	6'	[1.8m]	IG	12"	[305mm]	6 Duplex	15A
CATALOG NO.	FINISH	LENGTH		WIRING CONFIG	CENTER DISTANCE		OUTLETS QUANTITY & TYPE																																																																																																																																										
		Feet	[mm]		Inches	[mm]																																																																																																																																											
NM20GB412	Nonmetallic	4'	[1.2m]	GB	12"	[305mm]	4 Duplex	15A																																																																																																																																									
NM20GBA412	Nonmetallic	4'	[1.2m]	GBA	12"	[305mm]	4 Duplex	15A																																																																																																																																									
NM20IG412	Nonmetallic	4'	[1.2 m]	GB	12"	[305mm]	4 Duplex	15A																																																																																																																																									
NM20GB512	Nonmetallic	5'	[1.5m]	GB	12"	[305mm]	5 Duplex	15A																																																																																																																																									
NM20GB515	Nonmetallic	5'	[1.5m]	GB	15"	[381mm]	4 Duplex	15A																																																																																																																																									
NM20GB530	Nonmetallic	5'	[1.5m]	GB	30"	[760mm]	2 Duplex	15A																																																																																																																																									
NM20GBA512	Nonmetallic	5'	[1.5m]	GBA	12"	[305mm]	5 Duplex	15A																																																																																																																																									
NM20IG512	Nonmetallic	5'	[1.5m]	IG	12"	[305mm]	5 Duplex	15A																																																																																																																																									
NM20GB609	Nonmetallic	6'	[1.8m]	GB	9"	[229mm]	8 Duplex	15A																																																																																																																																									
NM20GB612	Nonmetallic	6'	[1.8m]	GB	12"	[305mm]	6 Duplex	15A																																																																																																																																									
NM20GB618	Nonmetallic	6'	[1.8m]	GB	18"	[457mm]	4 Duplex	15A																																																																																																																																									
NM20GBA609	Nonmetallic	6'	[1.8m]	GBA	9"	[229mm]	8 Duplex	15A																																																																																																																																									
NM20GBA612	Nonmetallic	6'	[1.8m]	GBA	12"	[305mm]	6 Duplex	15A																																																																																																																																									
NM20IG612	Nonmetallic	6'	[1.8m]	IG	12"	[305mm]	6 Duplex	15A																																																																																																																																									

Product	Description/Specifications																																																																																										
<p>Plugmold NM2400 Series</p> 	<p>Available in 3' [914mm], 5' [1.5m] and 6' [1.8m] lengths with 6" [152mm] receptacle spacing. 15A tamper-resistant receptacles. 3-wire, #12 THHN (1 hot, 1 neutral, and insulated ground conductor). .040" [1.0mm] steel housing. Packed 2 per carton. Each unit supplied with one (1) Coupling and two (2) Blank End Fittings.</p> <table border="1" style="width: 100%; border-collapse: collapse; margin-top: 10px;"> <thead> <tr> <th>CATALOG NO.</th> <th>FINISH</th> <th colspan="2">LENGTH</th> <th>WIRING CONFIG</th> <th colspan="2">CENTER DISTANCE</th> <th colspan="2">OUTLETS QUANTITY & TYPE</th> </tr> <tr> <th></th> <th></th> <th>Feet</th> <th>[mm]</th> <th></th> <th>Inches</th> <th>[mm]</th> <th></th> <th></th> </tr> </thead> <tbody> <tr><td>NM24GB412</td><td>Nonmetallic</td><td>4'</td><td>[1.2m]</td><td>GB</td><td>12"</td><td>[305mm]</td><td>4 Duplex</td><td>20A</td></tr> <tr><td>NM24GBA412</td><td>Nonmetallic</td><td>4'</td><td>[1.2m]</td><td>GBA</td><td>12"</td><td>[305mm]</td><td>4 Duplex</td><td>20A</td></tr> <tr><td>NM24GB512</td><td>Nonmetallic</td><td>5'</td><td>[1.5m]</td><td>GB</td><td>12"</td><td>[305mm]</td><td>5 Duplex</td><td>20A</td></tr> <tr><td>NM24GB530</td><td>Nonmetallic</td><td>5'</td><td>[1.5m]</td><td>GB</td><td>30"</td><td>[760mm]</td><td>2 Duplex</td><td>20A</td></tr> <tr><td>NM24GBA512</td><td>Nonmetallic</td><td>5'</td><td>[1.5m]</td><td>GBA</td><td>12"</td><td>[305mm]</td><td>5 Duplex</td><td>20A</td></tr> <tr><td>NM24GB612</td><td>Nonmetallic</td><td>6'</td><td>[1.8m]</td><td>GB</td><td>12"</td><td>[305mm]</td><td>6 Duplex</td><td>20A</td></tr> <tr><td>NM24GB618</td><td>Nonmetallic</td><td>6'</td><td>[1.8m]</td><td>GB</td><td>18"</td><td>[457mm]</td><td>4 Duplex</td><td>20A</td></tr> <tr><td>NM24GBA612</td><td>Nonmetallic</td><td>6'</td><td>[1.8m]</td><td>GB A</td><td>12"</td><td>[305mm]</td><td>6 Duplex</td><td>20A</td></tr> </tbody> </table>	CATALOG NO.	FINISH	LENGTH		WIRING CONFIG	CENTER DISTANCE		OUTLETS QUANTITY & TYPE				Feet	[mm]		Inches	[mm]			NM24GB412	Nonmetallic	4'	[1.2m]	GB	12"	[305mm]	4 Duplex	20A	NM24GBA412	Nonmetallic	4'	[1.2m]	GBA	12"	[305mm]	4 Duplex	20A	NM24GB512	Nonmetallic	5'	[1.5m]	GB	12"	[305mm]	5 Duplex	20A	NM24GB530	Nonmetallic	5'	[1.5m]	GB	30"	[760mm]	2 Duplex	20A	NM24GBA512	Nonmetallic	5'	[1.5m]	GBA	12"	[305mm]	5 Duplex	20A	NM24GB612	Nonmetallic	6'	[1.8m]	GB	12"	[305mm]	6 Duplex	20A	NM24GB618	Nonmetallic	6'	[1.8m]	GB	18"	[457mm]	4 Duplex	20A	NM24GBA612	Nonmetallic	6'	[1.8m]	GB A	12"	[305mm]	6 Duplex	20A
CATALOG NO.	FINISH	LENGTH		WIRING CONFIG	CENTER DISTANCE		OUTLETS QUANTITY & TYPE																																																																																				
		Feet	[mm]		Inches	[mm]																																																																																					
NM24GB412	Nonmetallic	4'	[1.2m]	GB	12"	[305mm]	4 Duplex	20A																																																																																			
NM24GBA412	Nonmetallic	4'	[1.2m]	GBA	12"	[305mm]	4 Duplex	20A																																																																																			
NM24GB512	Nonmetallic	5'	[1.5m]	GB	12"	[305mm]	5 Duplex	20A																																																																																			
NM24GB530	Nonmetallic	5'	[1.5m]	GB	30"	[760mm]	2 Duplex	20A																																																																																			
NM24GBA512	Nonmetallic	5'	[1.5m]	GBA	12"	[305mm]	5 Duplex	20A																																																																																			
NM24GB612	Nonmetallic	6'	[1.8m]	GB	12"	[305mm]	6 Duplex	20A																																																																																			
NM24GB618	Nonmetallic	6'	[1.8m]	GB	18"	[457mm]	4 Duplex	20A																																																																																			
NM24GBA612	Nonmetallic	6'	[1.8m]	GB A	12"	[305mm]	6 Duplex	20A																																																																																			

NOTE: NM2000 Series Nonmetallic Plugmold products are available in an ivory finish with ivory receptacles.
 All NM2000 Series Plugmold products include two (2) NM2010B Blank End Fittings and one (1) NM2001 Base Coupling unless otherwise indicated in the product description.

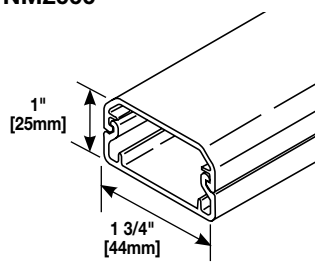
Cord-Ended Nonmetallic Plugmold Multioutlet Systems							
CAT NO.	UNIT LENGTH	OUTLETS QUANTITY	CORD SET LENGTH	TYPE	SWITCH	CIRCUIT BREAKER	HOUSING
NM20-C3	3' [92m]	3 Duplex	6' [1.8m]	14/3 SJT	Yes	Yes	PVC-Ivory
NM20-C4	4' [1.2m]	4 Duplex	6' [1.8m]	14/3 SJT	Yes	Yes	PVC-Ivory
NM20-C5	5' [1.5m]	5 Duplex	6' [1.8m]	14/3 SJT	Yes	Yes	PVC-Ivory
NM20-C6	6' [1.8m]	6 Duplex	6' [1.8m]	14/3 SJT	Yes	Yes	PVC-Ivory

Plugmold NM2000 Series Raceway with Snapicoil Harness							
CATALOG NO.	LENGTH	WIRING CONFIG	OUTLETS (15A 120V NEMA 5-15SR) CENTER DISTANCE	QUANTITY	HOLE CUT COVER QUANTITY LENGTH		HOUSING
NM20GB12	48'	GB	12" [152mm]	24 Duplex	8	6' [1.8m]	PVC-Ivory
NM20GBA12	48'	GBA	12" [305mm]	24 Duplex	8	6' [1.8m]	PVC-Ivory

NM2000 Series Raceway Fittings Ordering Information

Catalog No./Item **Description/Specifications**

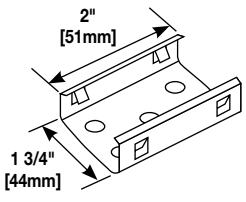
NM2000 **Base and Cover** – Extruded PVC, ivory textured finish.



Cross-Sectional Area:
1.14in² [735mm²]

ITEM	CAT. NO.	LENGTH	MATERIAL
Base	NM2000B	8' [2.4m]	PVC-Ivory
Cover	NM2000C	8' [2.4m]	PVC-Ivory
Base & Cover	NM2000BC	5' [1.52m]	PVC-Ivory

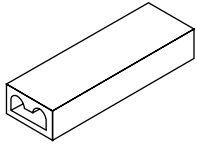
NM2003 **Supporting Clip** – Mount to surface with No. 8 flathead screw. Use with NM2000 Series.



W30/W30G **Pressure-Type Wire Connectors** –

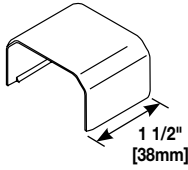
W30 – For common connection of two, three, or four No. 12 or No.14 solid copper conductors (White).

W30G – For connection of equipment grounding of 2, 3, or 4 solid conductors No. 14 or No. 12 AWG (Green). 300V maximum; 20A 105° C maximum.

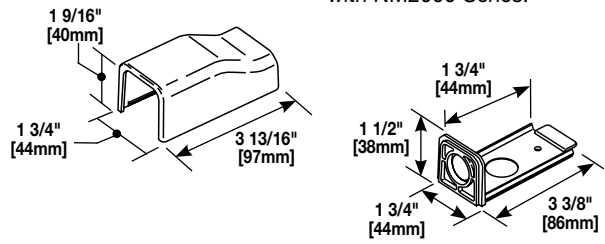


NOTE: Not for use with aluminum conductors.

NM2006 **Cover Clip** – For covering joint where lengths of NM2000 Series cover or base adjoin. Use with NM2000 Series.

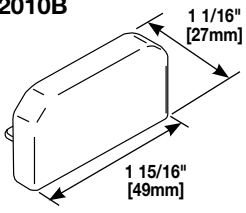


NM2010A **Entrance End** – Has 1/2" trade size KO on end and bottom. Use with NM2000 Series.

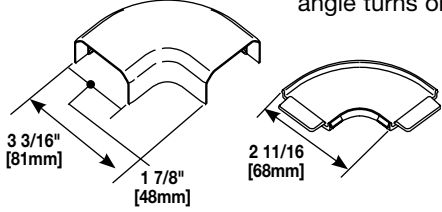


Catalog No./Item **Description/Specifications**

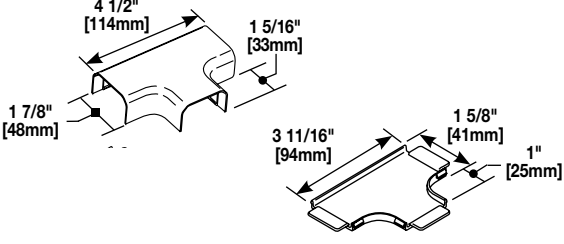
NM2010B **Blank End Fitting** – Use with NM2000 Series.



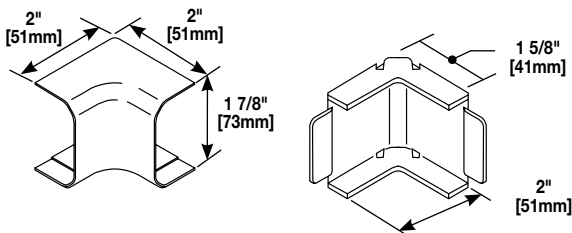
NM2011 **90° Flat Elbow** – For right angle turns on same surface.



NM2015 **Tee** – For branches at right angles.



NM2017 **Internal Elbow** – For right turns at inside corners.



NM2018 **External Elbow** – Used for making 90° turns at outside corners.

