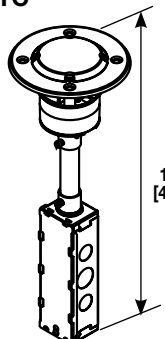
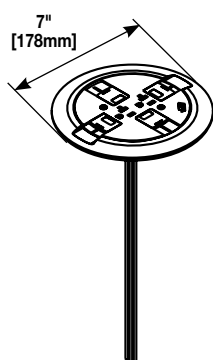
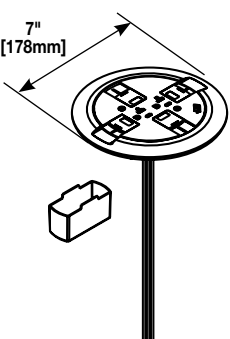


3 1/16" HOLE SIZE POKE-THRU DEVICES

RC7 Series Ordering Information

Catalog No./Item	Description/Specifications
RC7STC	 <p>Insert Assembly with Disposable Plate – Use with RC7C Series Covers to complete installation.</p> <p>16 1/2" [419mm]</p>

<p>RC7CTCGY* RC7CTCBK* RC7CTCAL* RC7CTCBS* RC7CTCVY* RC7CTCAB* RC7CTCAA*</p>  <p>7" [178mm]</p>	<p>Finish Flange and Slide Holder Assembly – Prewired 20A duplex can be wired as standard duplex or isolated ground. Wiremold Open system unloaded inserts to accept two discrete keystone connectors from most manufacturers are provided. Includes 2 Cat 6 TechChoice™ discrete keystone connectors and Ortronics® TracJack adapters.</p>
---	--

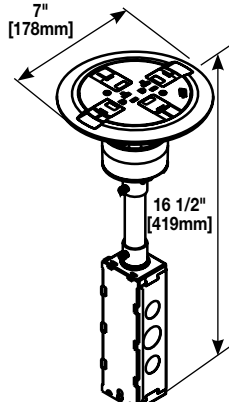
<p>RC7KTCGY* RC7KTCBK* RC7KTCAL* RC7KTCBS*</p>  <p>7" [178mm]</p>	<p>Retrofit Kit – Used to upgrade existing installations of RC7 Poke-Thru Devices on carpet floors to meet scrub water requirements. Includes 20A duplex receptacle that can be wired as a standard duplex or isolated ground, two Category 6 TechChoice™ discrete keystone connectors, and two Ortronics TracJack mounting bezels. Also includes scrub water finish flange and slide holder assembly. Kit also includes duplex receptacle barrier. Old barrier must be replaced with new. See installation instructions with retrofit kit for complete installation details.</p>
--	--

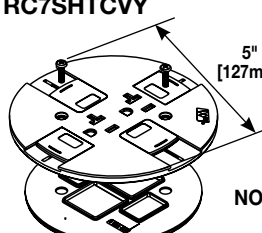
* Poke-Thru Devices on this page are available in some or all of the following cover color options as indicated by the part numbers:

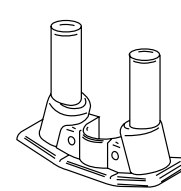
- GY – Gray painted flange with gray nonmetallic cover,
- BK – Black painted flange with black nonmetallic cover,
- VY – Ivory painted flange with ivory nonmetallic cover,
- AL – Brushed Aluminum flange with black nonmetallic cover
- BS – Brushed Brass flange with black nonmetallic cover
- AA – Brushed Aluminum flange with aluminum-colored nonmetallic cover
- AB – Brushed Brass flange with brass-colored nonmetallic cover

Where applicable, slide covers match the cover color.

Catalog No./Item	Description/Specifications			
Catalog Number Explanation RC7ATCAL				
RC7	A	TC	AL	
Identifies Poke-Thru Series	Identifies Assembled Unit (A) or Cover (C)	Identifies that Unit is Approved for Tile and Carpet Floors	Identifies Color of Cover Assembly (See below for details)	

<p>RC7ATCGY* RC7ATCBK* RC7ATCAL* RC7ATCBS* RC7ATCVY* RC7ATCAB* RC7ATCAA*</p>  <p>7" [178mm] 16 1/2" [419mm]</p>	<p>Assembled Unit – Prewired 20A duplex receptacle can be wired as standard duplex or isolated ground. Wiremold Open System unloaded inserts to accept two discrete keystone connectors from most manufacturers are provided. Includes 2 Cat 6 TechChoice™ discrete keystone connectors and Ortronics® TracJack bezels.</p>
--	--

<p>RC7SHTCBK RC7SHTCGY RC7SHTCBS RC7SHTCVY</p>  <p>5" [127mm]</p>	<p>Nonmetallic Slide Holder Assembly – Available in black (BK), gray (GY), ivory (VY), and nonmetallic brass (BS).</p> <p>NOTE: Assembled with scrub water gasket. For use on tile or carpet floors.</p>
---	--

<p>COM50 COM75</p> 	<p>Communication Adapter – For two 1/2" trade size conduit connections (COM50). For two 3/4" trade size conduit connections (COM75).</p> <p>NOTE: No additional capacity with COM75.</p>
---	--