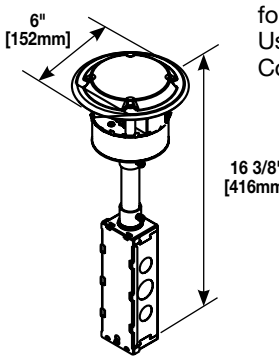
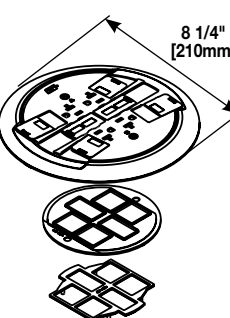
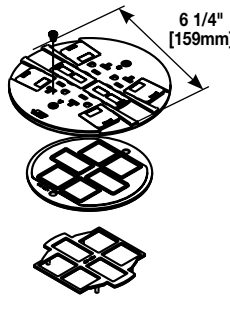


# 4" HOLE SIZE POKE-THRU DEVICES

## RC4 Series Ordering Information

Catalog No./Item	Description/Specifications
<b>RC4STC</b> 	<b>Insert Assembly with Disposable Plate</b> – Comes complete with four prewired 20A receptacles. Use RC4STC with RC4C Series Covers.

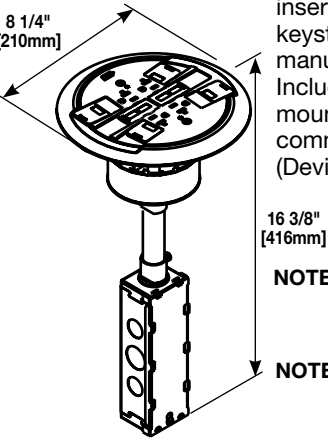
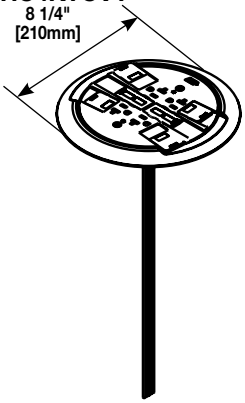
<b>RC4CTCGY*</b> <b>RC4CTCBK*</b> <b>RC4CTCAL*</b> <b>RC4CTCBS*</b> <b>RC4CTCAB*</b> <b>RC4CTCVY*</b> <b>RC4CTCAA*</b>	<b>Finish Flange and Slide Holder Assembly</b> – Wiremold open system unloaded inserts to accept four discrete keystone connectors from most manufacturers are provided. Includes Ortronics® TracJack mounting adapter and Series II communication housing. (Devices sold separately.)
	<p><b>NOTE:</b> Assembled with scrub water gasket. For use on tile or carpet floors.</p> <p><b>NOTE:</b> Modular Jacks sold separately.</p>

<b>RC4SHTCBK</b> <b>RC4SHTCGY</b> <b>RC4SHTCBS</b> <b>RC4SHTCVY</b>	<b>Nonmetallic Slide Holder Assembly</b> – Available in black (BK), gray (GY), ivory (VY), and nonmetallic brass (BS).
	<p><b>NOTE:</b> Assembled with scrub water gasket. For use on tile or carpet floors.</p>

\* Poke-Thru Devices on this page are available in some or all of the following cover color options as indicated by the part numbers:

- GY – Gray painted flange with gray nonmetallic cover,
- BK – Black painted flange with black nonmetallic cover,
- VY – Ivory painted flange with ivory nonmetallic cover,
- AL – Brushed Aluminum flange with black nonmetallic cover
- BS – Brushed Brass flange with black nonmetallic cover
- AA – Brushed Aluminum flange with aluminum-colored nonmetallic cover
- AB – Brushed Brass flange with brass-colored nonmetallic cover

Where applicable, slide covers match the cover color.

Catalog No./Item	Description/Specifications																
<table border="1" style="width: 100%; border-collapse: collapse;"> <thead> <tr> <th colspan="4">Catalog Number Explanation</th> </tr> <tr> <th colspan="4">RC4ATCAL</th> </tr> <tr> <th>RC4</th> <th>A</th> <th>TC</th> <th>AL</th> </tr> </thead> <tbody> <tr> <td>Identifies Poke-Thru Series</td> <td>Identifies Assembled Unit (A) or Cover (C)</td> <td>Identifies that Unit is Approved for Tile and Carpet Floors</td> <td>Identifies Color of Cover Assembly (See below for details)</td> </tr> </tbody> </table>		Catalog Number Explanation				RC4ATCAL				RC4	A	TC	AL	Identifies Poke-Thru Series	Identifies Assembled Unit (A) or Cover (C)	Identifies that Unit is Approved for Tile and Carpet Floors	Identifies Color of Cover Assembly (See below for details)
Catalog Number Explanation																	
RC4ATCAL																	
RC4	A	TC	AL														
Identifies Poke-Thru Series	Identifies Assembled Unit (A) or Cover (C)	Identifies that Unit is Approved for Tile and Carpet Floors	Identifies Color of Cover Assembly (See below for details)														
<b>RC4ATCGY*</b> <b>RC4ATCBK*</b> <b>RC4ATCAL*</b> <b>RC4ATCBS*</b> <b>RC4ATCVY*</b> <b>RC4ATCAB*</b> <b>RC4ATCAA*</b>	<b>Assembled Unit</b> – Unit includes four prewired 20A receptacles. Each duplex receptacle is wired as a separate circuit. The duplex can be wired as a standard receptacle or isolated ground. Wiremold Open System unloaded inserts to accept four discrete keystone connectors from most manufacturers are included. Includes Ortronics® TracJack mounting adapter and Series II communication housing. (Devices sold separately.)																
	<p><b>NOTE:</b> Assembled with scrub water gasket. For use on tile or carpet floors.</p> <p><b>NOTE:</b> Modular Jacks sold separately.</p>																
<b>RC4KTCBK</b> <b>RC4KTCGY</b> <b>RC4KTCAL</b> <b>RC4KTCBS</b> <b>RC4KTCAB</b> <b>RC4KTCVY</b>	<b>Retrofit Kit</b> – Used to upgrade existing installations of RC4 Poke-Thru Devices on carpet floors to meet scrub water requirements. Includes two 20A duplex receptacles that can be wired as a standard duplex or isolated ground. Also includes scrub water finish flange and slide holder assembly. Flange available in painted black (BK), gray (GY), ivory (VY), and brushed metal finishes in aluminum (AL), and brass (BS). See installation instructions with retrofit kit for complete installation details.																
	<p><b>NOTE:</b> See page 3 for specifications.</p>																