



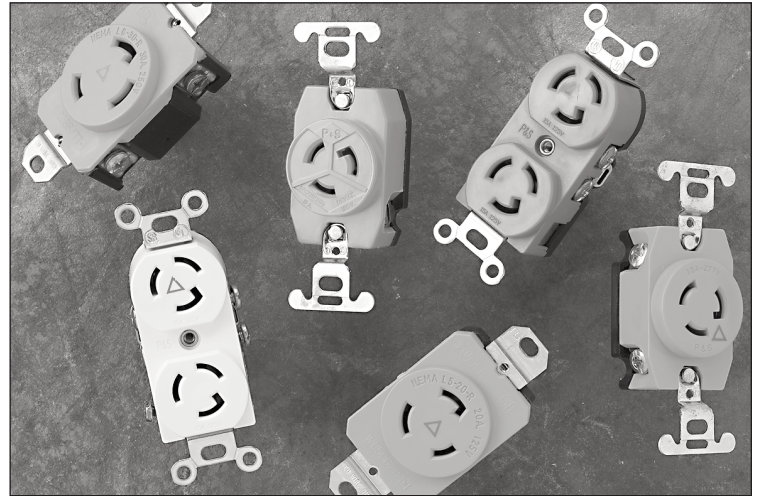
Pass & Seymour

# TVSS & Isolated Ground Devices Heavy-Duty Turnlok® IG 15, 20 & 30A; 125 & 250V, 277VAC

IG4700, IG4710, IG4760, IGL520-R, IGL620-R, IGL720-R, IGL530-R, IGL630-R

## Tough enough for the harshest environments.

**L**ike all Turnlok devices, these locking receptacles ensure excellent electrical connections and long-life dependability via high-quality, triple-wipe brass contacts. Their strong thermoplastic bodies withstand impacts and hard use. And their heavy-gauge brass or steel straps resist pull-outs. Screw-pressure-plate back wiring ensures fast installation.



### Features & Benefits

**Clearly marked NEMA configuration, rating and third party listing** on each unit's face.

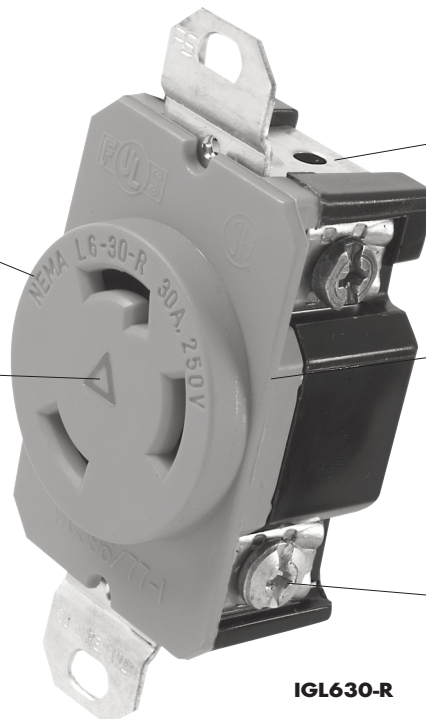
**Isolated Ground symbol and molded-in "Isolated Ground" markings** for easy I.D. and circuit delineation.

**One-piece, high-grade brass contacts** offer excellent conductivity and heat-rise resistance.

**Single-piece, solid brass mounting strap** is free of easily loosened rivets found on other brands. 15 Amp mounting strap is steel.

**Compact, impact-resistant nylon face and body** are ultrasonically welded together for unrivaled strength.

**Side and external screw-pressure-plate back wire capability.** Accepts #14 — #10 AWG.



IGL630-R

### Field Uses/Vertical Markets

- Industrial
- Health Care
- Education
- Institutional
- Retail
- Office

SF1302R1 — Updated January 2004 — For latest specs visit [www.legrand.us/passandseymour](http://www.legrand.us/passandseymour)



Pass & Seymour

# TVSS & Isolated Ground Devices Heavy-Duty Turnlok® IG 15, 20 & 30A; 125 & 250V, 277VAC

## Ordering Information

Catalog Number	Rating A. V.		NEMA Config. No.	Color
<b>Duplex Receptacles Back &amp; Side Wire</b>				
IG4700	15	125	L5-15R	Orange
IG4700-W	15	125	L5-15R	White
IG4700	15	125	L5-15R	Red
<b>Single Receptacles Back &amp; Side Wire</b>				
IG4710	15	125	L5-15R	Orange
IG4760	15	277*	L7-15R	Orange
IGL520-R	20	125	L5-20R	Orange
IGL620-R	20	250	L6-20R	Orange
IGL720-R	20	277*	L7-20R	Orange
IGL530-R	30	125	L5-30R	Orange
IGL630-R	30	250	L6-30R	Orange

\*AC only.



NEMA  
L5-15R



NEMA  
L7-15R



NEMA  
L5-20R



NEMA  
L6-20R



NEMA  
L7-20R



NEMA  
L5-30R



NEMA  
L6-30R

For more information on these and other P&S products refer to our Product Guide or visit our web site.

SF1302R1 — Updated January 2004 — For latest specs visit [www.legrand.us/passandseymour](http://www.legrand.us/passandseymour)

# TVSS & Isolated Ground Devices Heavy-Duty Turnlok® IG 15, 20 & 30A; 125 & 250V, 277VAC



Pass & Seymour

## Technical Specifications

### 3rd Party Compliance

UL Listed, File Number E146159, Standard UL498, Attachment Plugs and Receptacles.  
Federal Specification WC596.  
CSA Certified, File Number LR1765, Standard CSA-C22.2 No. 42, General Use Receptacles and Attachment Plugs.  
Conforms to NEMA WD-1.

### Performance

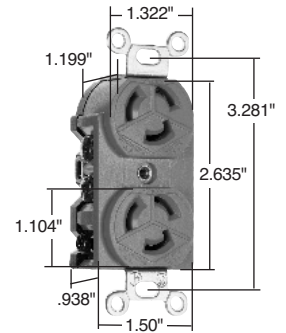
Electrical	
Dielectric Withstand Voltage	2000V minimum
Maximum Working Voltage	600VAC
Current Interrupting	Certified for current interrupting at full-rated current
Temperature Rise	30°C max. after 50 cycles at 150% rated current
Mechanical	
Terminal Accommodation	#14 AWG min. – #10 AWG max.
Product Identification	Amperage, Voltage, NEMA Configuration molded into face
Environmental	
Flammability	UL94 V2
Operating Temperature	Maximum continuous +75°C, minimum -40°C without impact

### Materials

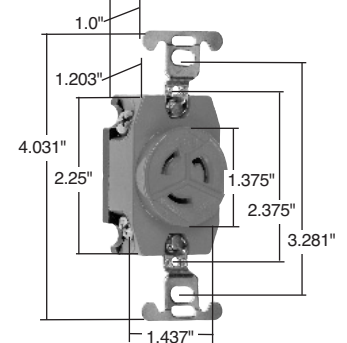
Front Body	Nylon	Contacts	Brass
Back Body	Nylon	Terminal Clamps	Brass
Mounting Strap	15A = Steel 20 & 30A = Brass	Terminal Screws	Brass
Pressure Plate	Brass	Mounting Screws	Zinc-Plated Steel

### Warranty

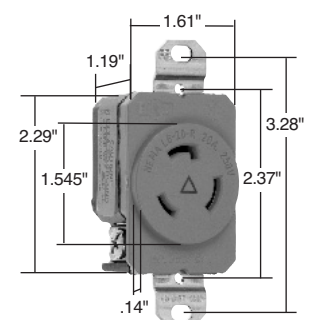
1 Year



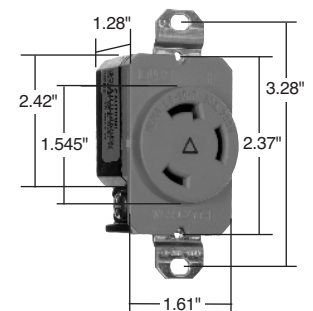
Dimensions for IG4700



Dimensions for IG4710

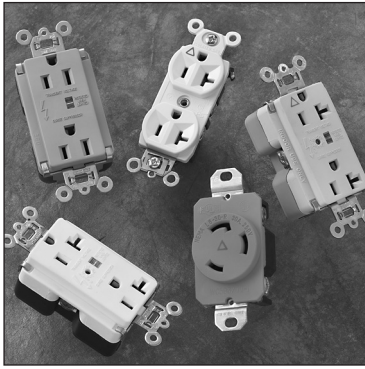


Dimensions for 20 Amp Receptacle



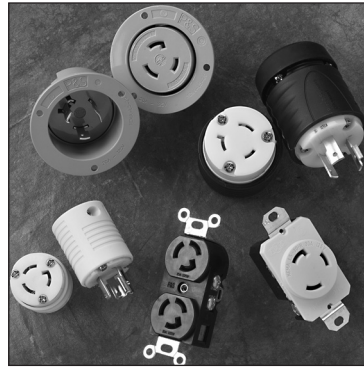
Dimensions for 30 Amp Receptacle

## Complimentary Devices & Accessories



### TVSS & ISOLATED GROUND DEVICES

- Construction Grade Isolated Ground
- Heavy-Duty Isolated Ground TVSS
- Heavy-Duty TVSS
- Construction Grade TVSS



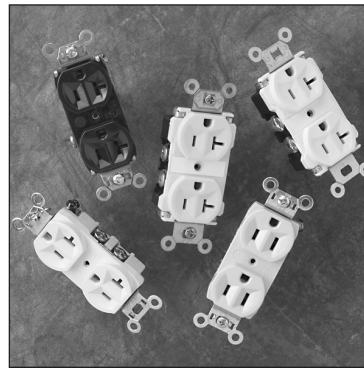
### TURNLOK® LOCKING DEVICES

- Heavy-Duty Receptacles
- Extra-Hard Use Plugs & Connectors
- Heavy-Duty Flanged Inlets & Outlets



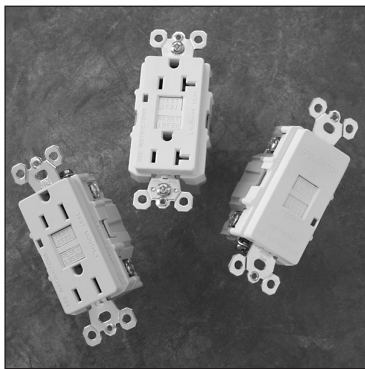
### GROUND CONTINUITY MONITORING (GCM)

- Extra-Hard Use Straight Blade
- Heavy-Duty Turnlok®



### STRAIGHT BLADE RECEPTACLES

- Extra Heavy-Duty
- Heavy-Duty
- Construction Grade
- Commercial Grade



### GFCIs

- Construction Grade with Auto-Ground
- Construction Grade
- Construction Grade Dead Front



### WALL PLATES

- TradeMaster® Thermoplastic Nylon
- Stainless Steel
- Brass
- Aluminum
- Dustproof Stainless Steel Covers

## Also available...

- Light Almond Devices
- Decorator Devices
- Hospital Grade Devices
- PlugTail™ Devices
- Switches
- Straight Blade Plugs & Connectors
- Weatherproof Boxes & Covers
- IEC 309 Industrial Products
- Flexcor® Wire Mesh Grips
- Configurable Solutions



**Legrand/Pass & Seymour**  
P.O. Box 4822  
Syracuse, NY 13221-4822  
800-223-4185

**North America Headquarters**  
60 Woodlawn Street  
West Hartford, CT 06110  
Phone: 1.877.BY.LEGRAND (295.3472)  
Fax: 1.860.232.2062  
www.legrand.us

**Legrand Canada**  
570 Applewood Crescent  
Vaughan, ON, L4K 4B4  
Phone: 905.738.9195  
Fax: 905.738.9721  
www.legrand.ca