



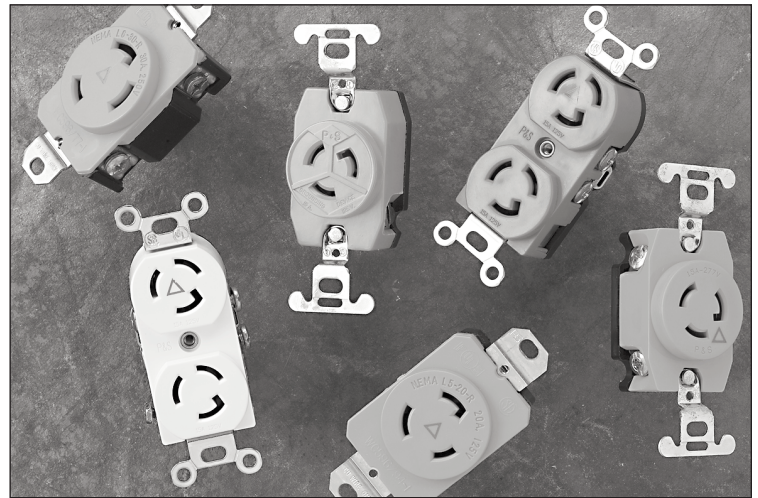
Pass & Seymour

TVSS & Isolated Ground Devices Heavy-Duty Turnlok® IG 15, 20 & 30A; 125 & 250V, 277VAC

IG4700, IG4710, IG4760, IGL520-R, IGL620-R, IGL720-R, IGL530-R, IGL630-R

Tough enough for the harshest environments.

Like all Turnlok devices, these locking receptacles ensure excellent electrical connections and long-life dependability via high-quality, triple-wipe brass contacts. Their strong thermoplastic bodies withstand impacts and hard use. And their heavy-gauge brass or steel straps resist pull-outs. Screw-pressure-plate back wiring ensures fast installation.



Features & Benefits

Clearly marked NEMA configuration, rating and third party listing on each unit's face.

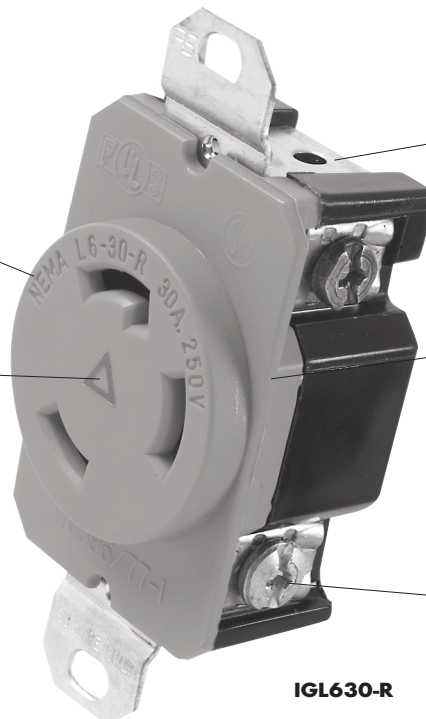
Isolated Ground symbol and molded-in "Isolated Ground" markings for easy I.D. and circuit delineation.

One-piece, high-grade brass contacts offer excellent conductivity and heat-rise resistance.

Single-piece, solid brass mounting strap is free of easily loosened rivets found on other brands. 15 Amp mounting strap is steel.

Compact, impact-resistant nylon face and body are ultrasonically welded together for unrivaled strength.

Side and external screw-pressure-plate back wire capability. Accepts #14 — #10 AWG.



IGL630-R

Field Uses/Vertical Markets

- Industrial
- Health Care
- Education
- Institutional
- Retail
- Office



Pass & Seymour

TVSS & Isolated Ground Devices Heavy-Duty Turnlok® IG 15, 20 & 30A; 125 & 250V, 277VAC

Ordering Information

| Catalog Number | Rating A. V. | NEMA Config. No. | Color |
|--|-----------------|---------------------|--------|
| Duplex Receptacles Back & Side Wire | | | |
| IG4700 | 15 125 | L5-15R | Orange |
| IG4700-W | 15 125 | L5-15R | White |
| IG4700 | 15 125 | L5-15R | Red |
| Single Receptacles Back & Side Wire | | | |
| IG4710 | 15 125 | L5-15R | Orange |
| IG4760 | 15 277* | L7-15R | Orange |
| IGL520-R | 20 125 | L5-20R | Orange |
| IGL620-R | 20 250 | L6-20R | Orange |
| IGL720-R | 20 277* | L7-20R | Orange |
| IGL530-R | 30 125 | L5-30R | Orange |
| IGL630-R | 30 250 | L6-30R | Orange |

*AC only.



NEMA
L5-15R



NEMA
L7-15R



NEMA
L5-20R



NEMA
L6-20R



NEMA
L7-20R



NEMA
L5-30R



NEMA
L6-30R

For more information on these and other P&S products refer to our Product Guide or visit our web site.

SF1302R1 — Updated January 2004 — For latest specs visit www.legrand.us/passandseymour

TVSS & Isolated Ground Devices Heavy-Duty Turnlok® IG 15, 20 & 30A; 125 & 250V, 277VAC



Pass & Seymour

Technical Specifications

3rd Party Compliance

UL Listed, File Number E146159, Standard UL498, Attachment Plugs and Receptacles.
Federal Specification WC596.
CSA Certified, File Number LR1765, Standard CSA-C22.2 No. 42, General Use Receptacles and Attachment Plugs.
Conforms to NEMA WD-1.

Performance

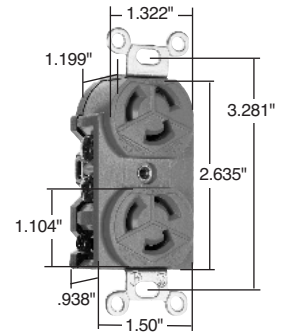
| Electrical | |
|------------------------------|--|
| Dielectric Withstand Voltage | 2000V minimum |
| Maximum Working Voltage | 600VAC |
| Current Interrupting | Certified for current interrupting at full-rated current |
| Temperature Rise | 30°C max. after 50 cycles at 150% rated current |
| Mechanical | |
| Terminal Accommodation | #14 AWG min. – #10 AWG max. |
| Product Identification | Amperage, Voltage, NEMA Configuration molded into face |
| Environmental | |
| Flammability | UL94 V2 |
| Operating Temperature | Maximum continuous +75°C, minimum -40°C without impact |

Materials

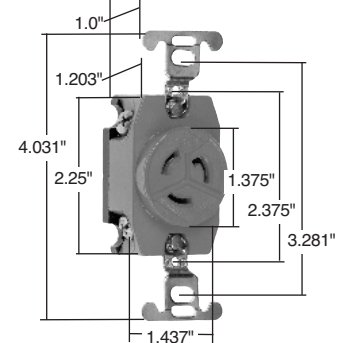
| | | | |
|----------------|---------------------------------|-----------------|-------------------|
| Front Body | Nylon | Contacts | Brass |
| Back Body | Nylon | Terminal Clamps | Brass |
| Mounting Strap | 15A = Steel 20 & 30A = Brass | Terminal Screws | Brass |
| Pressure Plate | Brass | Mounting Screws | Zinc-Plated Steel |

Warranty

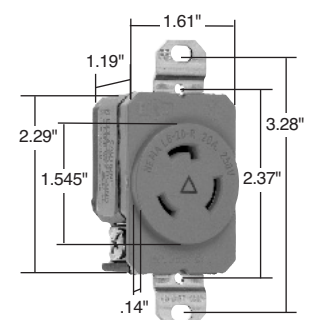
1 Year



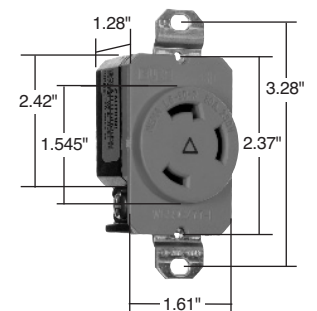
Dimensions for IG4700



Dimensions for IG4710

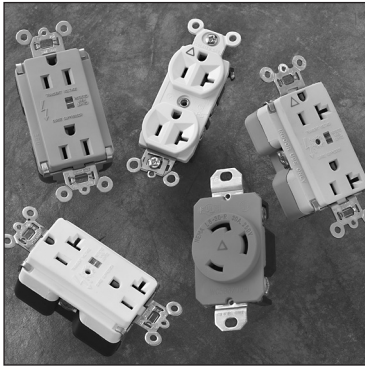


Dimensions for 20 Amp Receptacle



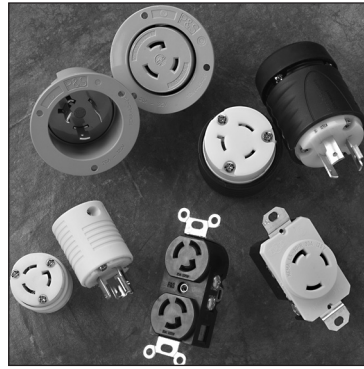
Dimensions for 30 Amp Receptacle

Complimentary Devices & Accessories



TVSS & ISOLATED GROUND DEVICES

- Construction Grade Isolated Ground
- Heavy-Duty Isolated Ground TVSS
- Heavy-Duty TVSS
- Construction Grade TVSS



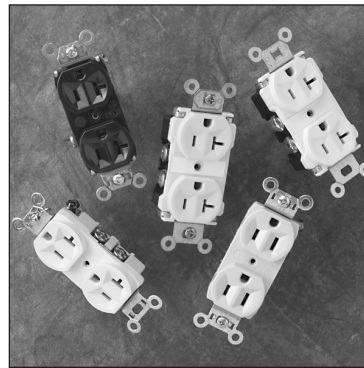
TURNLOK® LOCKING DEVICES

- Heavy-Duty Receptacles
- Extra-Hard Use Plugs & Connectors
- Heavy-Duty Flanged Inlets & Outlets



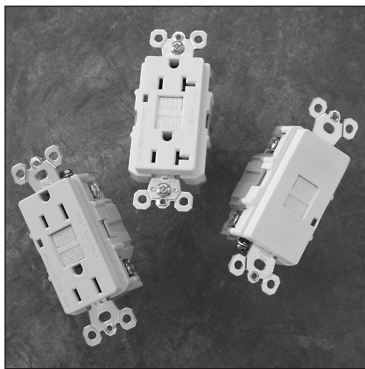
GROUND CONTINUITY MONITORING (GCM)

- Extra-Hard Use Straight Blade
- Heavy-Duty Turnlok®



STRAIGHT BLADE RECEPTACLES

- Extra Heavy-Duty
- Heavy-Duty
- Construction Grade
- Commercial Grade



GFCIs

- Construction Grade with Auto-Ground
- Construction Grade
- Construction Grade Dead Front



WALL PLATES

- TradeMaster® Thermoplastic Nylon
- Stainless Steel
- Brass
- Aluminum
- Dustproof Stainless Steel Covers

Also available...

- Light Almond Devices
- Decorator Devices
- Hospital Grade Devices
- PlugTail™ Devices
- Switches
- Straight Blade Plugs & Connectors
- Weatherproof Boxes & Covers
- IEC 309 Industrial Products
- Flexcor® Wire Mesh Grips
- Configurable Solutions



Legrand/Pass & Seymour
P.O. Box 4822
Syracuse, NY 13221-4822
800-223-4185

North America Headquarters
60 Woodlawn Street
West Hartford, CT 06110
Phone: 1.877.BY.LEGRAND (295.3472)
Fax: 1.860.232.2062
www.legrand.us

Legrand Canada
570 Applewood Crescent
Vaughan, ON, L4K 4B4
Phone: 905.738.9195
Fax: 905.738.9721
www.legrand.ca