

# Electrical Accessories Special Purpose Devices – Despard®

Pass & Seymour



Catalog Number		Color	Rating		3rd Party Compliance
Single Pole	Three-Way		A.	V.	UL UL20
<b>Toggle Switches Screw Terminals</b>					
ACD11	ACD3I	Ivory	15	120/277	•
ACD1W	ACD3W	White	15	120/277	•
ACD1	ACD3	Brown	15	120/277	•
ACD201I	ACD203I	Ivory	20	120/277	•
ACD201	ACD203	Brown	20	120/277	•

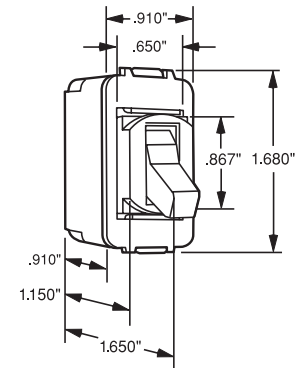
**HP Conversion Table**

15 Amp	1/2 Horsepower at 120V	2 Horsepower at 240V
20 Amp	1 Horsepower at 120V	2 Horsepower at 240V

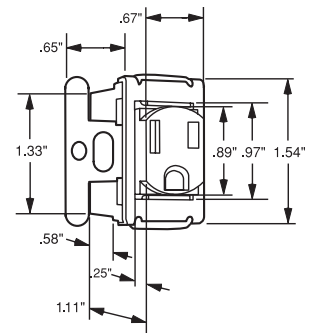
Catalog Number	Color	Rating A. V.	Description	3rd Party Compliance UL UL498
<b>Receptacles Three Wire Grounding</b>				
1432	Ivory	15 125	Must be installed in end opening of strap with Ground Lead	•
1532	White	15 125		•
1332	Brown	15 125		•
1433	Ivory	15 125		•
1333	Brown	15 125		•

Catalog Number			Rating		Description	3rd Party Compliance
Ivory	Brown	White	W.	V.		UL UL542
<b>Neon Pilot Lights</b>						
1475	1375	1575	1/25	125	Flush Red Neon Pilot	•
	1375220		1/8	220	Light with Screw Terminals	•
1475277			1/6	277		•

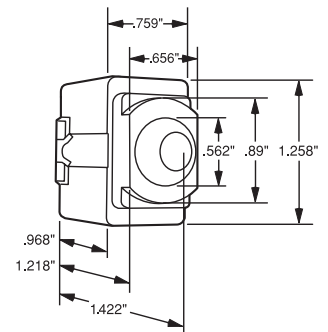
Catalog Number	Color	Rating A. V.	Description	3rd Party Compliance UL UL542
<b>Flush Pilot Lights with Mounting Straps</b>				
1376	Brown	6 125	Single, for Single Vertical Opening Plate	•
1377	Brown	6 125	Combination, for Switch or Outlet Plate	•



ACD1



1432



1475