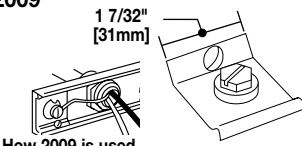
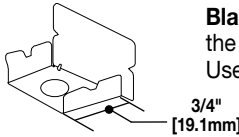
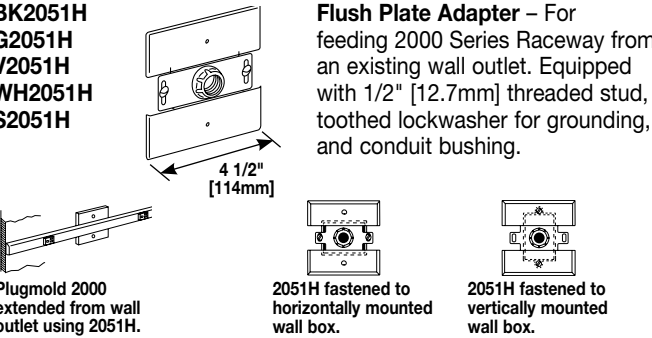
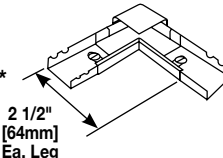
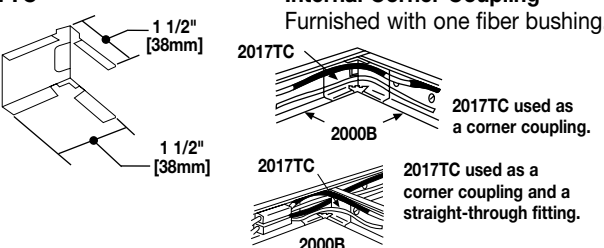
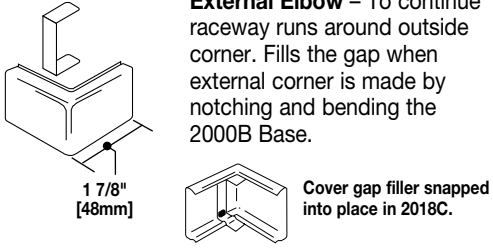
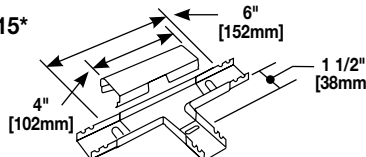
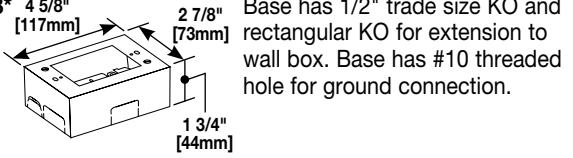
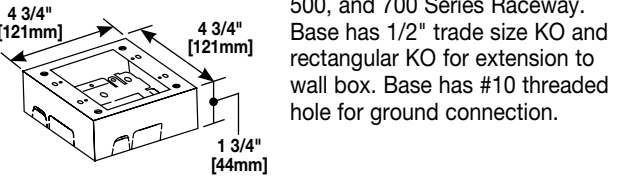
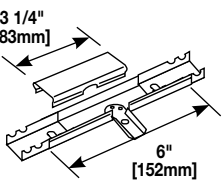
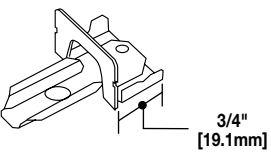
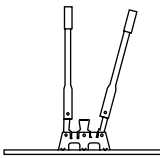


2000 Series Raceway Fittings Ordering Information (continued)

Catalog No./Item	Description/Specifications
<p>2009</p>  <p>How 2009 is used.</p>	<p>Ground Clamp – For connection of equipment grounding conductor to provide additional ground to raceway. Use with 2000 Series Raceway.</p>
<p>BK2010B* G2010B* V2010B* WH2010B* S2010B*</p> 	<p>Blank End Fitting – For closing the open end of raceway. Use with 2000 Series Raceway.</p>
<p>BK2051H G2051H V2051H WH2051H S2051H</p>  <p>Plugmold 2000 extended from wall outlet using 2051H.</p> <p>2051H fastened to horizontally mounted wall box.</p> <p>2051H fastened to vertically mounted wall box.</p>	<p>Flush Plate Adapter – For feeding 2000 Series Raceway from an existing wall outlet. Equipped with 1/2" [12.7mm] threaded stud, toothed lockwasher for grounding, and conduit bushing.</p>
<p>BK2011* G2011* V2011* WH2011* S2011*</p>  <p>2 1/2" [64mm] Ea. Leg</p>	<p>90° Flat Elbow – For right angle turns on same surface. Cover stop permits neat butting of 2000C Cover. Two couplings furnished.</p>
<p>2017TC</p>  <p>2017TC used as a corner coupling.</p> <p>2017TC used as a corner coupling and a straight-through fitting.</p>	<p>Internal Corner Coupling – Furnished with one fiber bushing.</p>
<p>BK2018C* G2018C* V2018C* WH2018C* S2018C*</p>  <p>1 7/8" [48mm]</p> <p>Cover gap filler snapped into place in 2018C.</p>	<p>External Elbow – To continue raceway runs around outside corner. Fills the gap when external corner is made by notching and bending the 2000B Base.</p>
<p>BK2015* G2015* V2015* WH2015*</p>  <p>6" [152mm]</p> <p>4" [102mm]</p> <p>1 1/2" [38mm]</p>	<p>Tee – For branches at right angles. Couplings furnished.</p>
<p>BK2048* G2048* V2048* WH2048* S2048*</p>  <p>4 5/8" [117mm]</p> <p>2 7/8" [73mm]</p> <p>1 3/4" [44mm]</p>	<p>Single Gang Device Box – Cover has twistouts for 2000, 500, and 700 Series Raceway. Base has 1/2" trade size KO and rectangular KO for extension to wall box. Base has #10 threaded hole for ground connection.</p>
<p>V2048-2 G2048-2</p>  <p>4 3/4" [121mm]</p> <p>4 3/4" [121mm]</p> <p>1 3/4" [44mm]</p>	<p>Two-Gang Device Box – Cover has G2048-2 Twistouts for 2000, 500, and 700 Series Raceway. Base has 1/2" trade size KO and rectangular KO for extension to wall box. Base has #10 threaded hole for ground connection.</p>
<p>V2089</p>  <p>3 1/4" [83mm]</p> <p>6" [152mm]</p>	<p>Side Reducing Connector – For connecting 2000 Series Raceway with 500 Series Raceway through side of 2000 Series Raceway.</p>
<p>V2089E</p>  <p>3/4" [19.1mm]</p>	<p>End Reducing Connector – For connecting 2000 Series Raceway with 500 Series Raceway through end of 2000 Series Raceway.</p>
<p>620BCK</p>	<p>Replacement Blade Kit – Replacement blades and die set for 620 Cutter.</p>
<p>620</p> 	<p>2000 Raceway Base and Cover Cutter – Portable cutter for 2000 Series Raceway Cover and Base. Tooled steel construction for clean and easy square cuts every time. Total manual operation.</p>

* "V" prefix indicates Ivory ScuffCoat™ finish, "BK" for Black ScuffCoat™ finish, "G" prefix for Gray enamel finish, "WH" for white enamel finish, and "S" for stainless steel.