






POWER MANAGEMENT

PRODUCT	PART #	DESCRIPTION
12 VDC, 30 W Desk-Mount Power Supply	PW7725	Powers the inQUIRE Intercom Main Console for a system including eight or more room and door units.
15 VDC, 6 W Wall-Mount Power Supply	F7760	Powers data networking and video products.
24 VDC, 30 W Desk-Mount Power Supply	PW1030	Powers the Selective Call Intercom System.
24 VDC, 100 W Desk-Mount Power Supply	PW1100	Powers the Integration Module.
Twin Power Supply Bracket	NEW! PW1006	Enables stacking of two Desk-Mount Power Supplies in the enclosure.

POWER OUTLET KITS

PRODUCT	PART #	DESCRIPTION
Duplex Outlet Power Kit, Surge Protected 	364569-02	Includes duplex power outlet, metal "J" box, and faceplate kit.
AC Power Kit (Duplex Power Outlet)	F7526	Includes duplex power outlet featuring 120 VAC/15 A power.
Replacement Surge Module	364767-01	Replacement part for On-Q enclosure.

POWER STRIPS

PRODUCT	PART #	DESCRIPTION
Surge Protection Power Module 	364771-01	Provides eight 120 V outlets with a 15 Amp maximum load current and a 76,500 Amp maximum surge current. Features high-quality surge suppression and noise filtering to eliminate damaging electrical disturbances.
Power Strip Module – Full Width 	364266-01	Four outlet 110 VAC power strip with on/off switch, built-in circuit breaker and power LED indicator.

REPLACEMENT POWER SUPPLIES

PRODUCT	PART #	REPLACES POWER SUPPLY
5 VDC, 7.5 W Wall-Mount Power Supply	364272-05	5-Port 10/100 Router/Switch (364528-01)
12 VDC, 6 W Wall-Mount Power Supply	364775-01	4-Port 10/100 Router/Switch (364772-02)
RPA Video Power Transformer	364271-03	2x6 or 3x8 Enhanced Video Modules
Non-RPA Video Power Transformer	364271-01	2x16 or 3x8 Enhanced Video Modules
15 VDC, 22 W Desk-Mount Power Supply	F7715	LCD display module (CM1003)



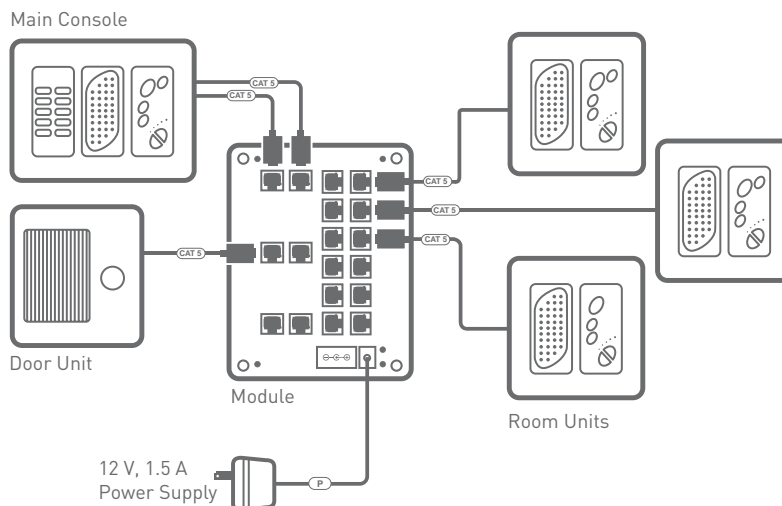
BASIC INTERCOM SOLUTION

Give your homeowners the ultimate in convenience with this affordable broadcast intercom system.

BASIC INTERCOM / BILL OF MATERIALS

PRODUCT	PART #	QUANTITY	PAGE
Broadcast Intercom Module & Main Console	IC1002-XX	1	106
Broadcast Intercom Room Unit	IC1004-XX	3	106
Broadcast Intercom Door Unit	F7596-XX	1	107
Broadcast Intercom Door Chime	F7601	1	107
12 VDC, 30 W Desk-Mount Power Supply	PW7725	1	40

BASIC INTERCOM / WIRING DIAGRAM





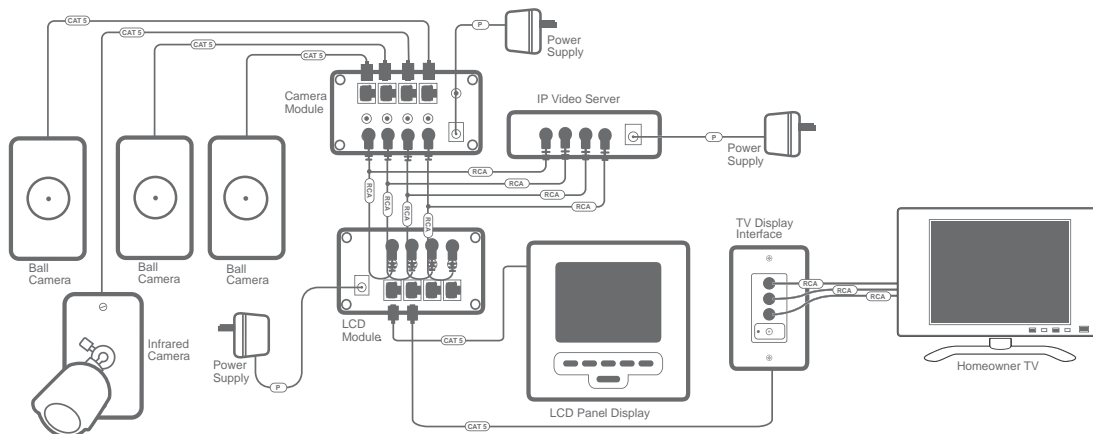
ULTIMATE CAMERA SOLUTION

This solution offers the ultimate in flexibility and security by including three cameras in the Studio style and an infrared bullet camera. It also includes three convenient camera viewing options.

ULTIMATE CAMERA / BILL OF MATERIALS

PRODUCT	PART #	QUANTITY	PAGE
Ball Camera	CM5002-XX	3	122
Cat 5 Camera Module	CM1011	1	123
12 VDC, 30 W Desk-Mount Power Supply	PW7725	1	40
IR Bullet Camera, BW	F2287	1	122
LCD Console	HA5000-XX	1	123
LCD Module	CM1010	1	123
24 VDC, 60 W Power Supply	PW1060	1	39
TV Display Interface	HA5201-XX	2	123
RCA to RCA Patch Cable	CM1017	4	124
RCA to RCA Y Splitter Cable	CM1015	4	124
IP Video Server	CM1019	1	124

ULTIMATE CAMERA / WIRING DIAGRAM





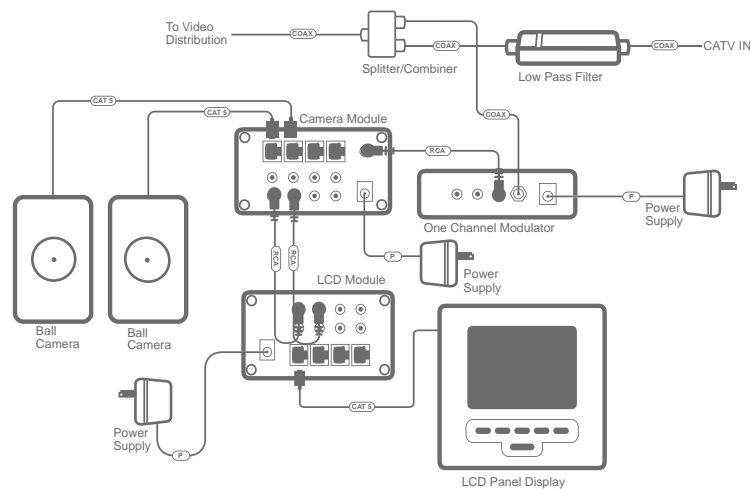
PREMIUM CAMERA SOLUTION

Two color cameras in the new Studio style paired with a convenient LCD display make this solution a premium option for home security.

PREMIUM CAMERA / BILL OF MATERIALS

PRODUCT	PART #	QUANTITY	PAGE
Ball Camera	CM5002-XX	2	122
Cat 5 Camera Module	CM1011	1	123
12 VDC, 30 W Desk-Mount Power Supply	PW7725	1	40
LCD Console	HA5000-XX	1	123
LCD Module	CM1010	1	123
24 VDC, 60 W Power Supply	PW1060	1	39
RCA to RCA Patch Cable	CM1017	3	124
Low Pass Filter, 5-750 MHz	364456-03	1	97
Frequency Agile Mono Modulator, 1 Channel	F1001	1	124

PREMIUM CAMERA / WIRING DIAGRAM





BASIC CAMERA SOLUTION

This basic solution lets homeowners install a camera wherever they need one, whether it's the front door or the baby's room.

BASIC CAMERA / BILL OF MATERIALS

PRODUCT	PART #	QUANTITY	PAGE
Bullet Camera, Color	F2299	2	122
Cat 5 Camera Module	CM1011	1	123
12 VDC, 30 W Desk-Mount Power Supply	PW7725	1	40
Frequency Agile Mono Modulator, 1 Channel	F1001	1	124
RCA to RCA Patch Cable	CM1017	1	124
Low Pass Filter, 5-750 MHz	364456-03	1	97

BASIC CAMERA / WIRING DIAGRAM

