

11P Quik-Loc™ Connectors

600 Volt Standard

Applications:

- Drills
- Shuttle cars
- Conveyors
- Power distribution
- Slusher hoists
- Motors
- Heavy equipment
- Ship-to-shore power

Features:

- Corrosion-resistant - molded neoprene components (insert body, sleeve, grommets), neoprene covered alloy couplings, and stainless steel clamps are unaffected by most chemicals and acids
- Field attachable - quick field assembly requires standard tools with color-coded wiring terminals indicating proper conductor locations; dual set screw design enhances connection
- Quick disconnect - couplers with "pin and groove" design support engagement and disengagement in just $\frac{3}{4}$ turn; couplers revolve freely on replaceable ball bearings
- Safe - all metal components are thoroughly insulated using a barrier of molded neoprene; a reversed ground pin assures positive polarization
- Watertight - compression fit of neoprene components and cable hugging grommets provide a moisture-tight seal; positive water seal between mated connectors is provided by an o-ring type seal molded to the connector

Non-slipping, worm-gear driven clamps assure a watertight fit between protective sleeve, terminal area and cable. Stainless steel components resist corrosion.

One-piece neoprene protective sleeve seals wiring area from dirt, grit and moisture.

Sturdy neoprene covered metal couplings withstand rough handling and abuse. Pin and groove threads engage or disengage in just $\frac{3}{4}$ turn; won't cross thread or burr. (Largest model has double pitch Acme thread).

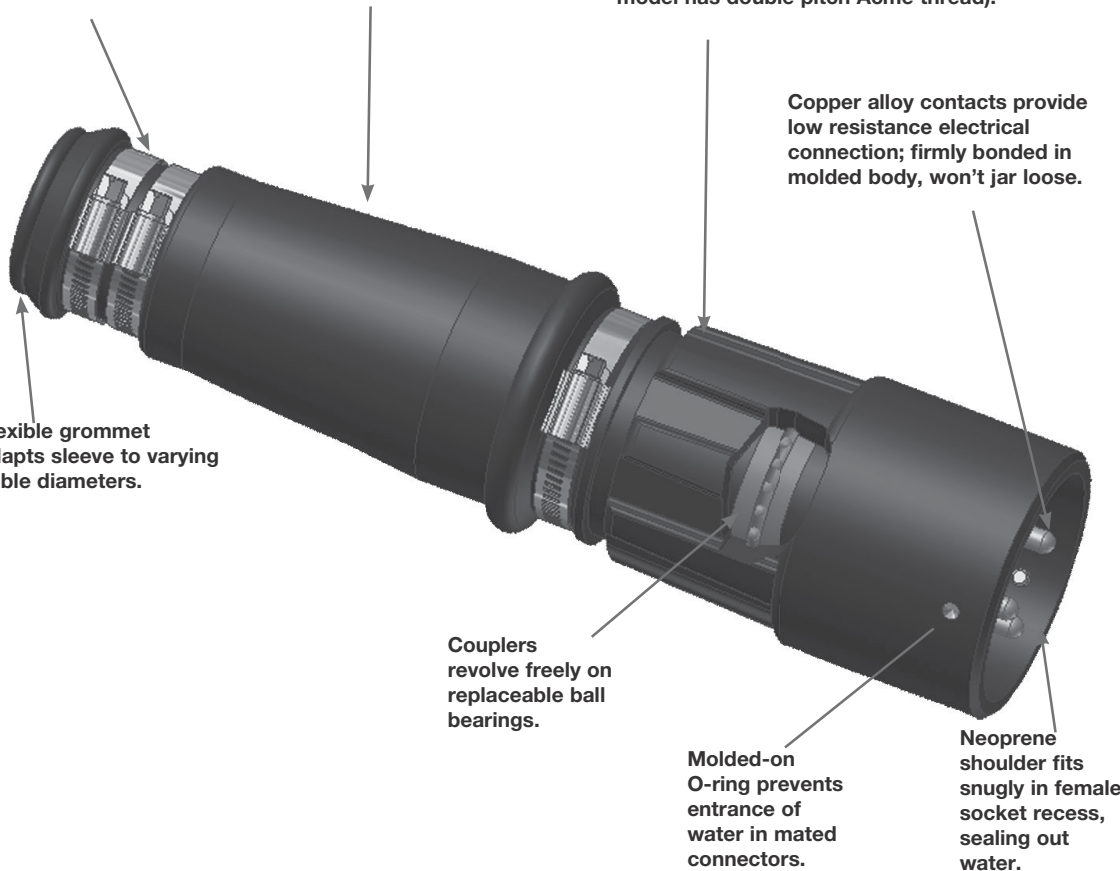
Copper alloy contacts provide low resistance electrical connection; firmly bonded in molded body, won't jar loose.

Flexible grommet adapts sleeve to varying cable diameters.

Couplers revolve freely on replaceable ball bearings.

Molded-on O-ring prevents entrance of water in mated connectors.

Neoprene shoulder fits snugly in female socket recess, sealing out water.



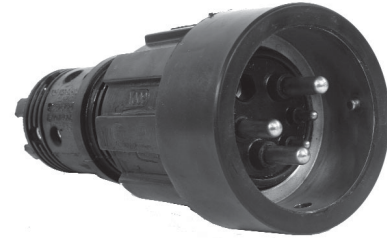
11P

600 Volt Plugs

Quik-Loc™ male and female connectors provide electrical, mechanical, and environmental protection for 600 volt AC and DC applications.

Certifications and Compliances:

- 600 volt MSHA (Mine Safety Health Administration) approval for underground mining

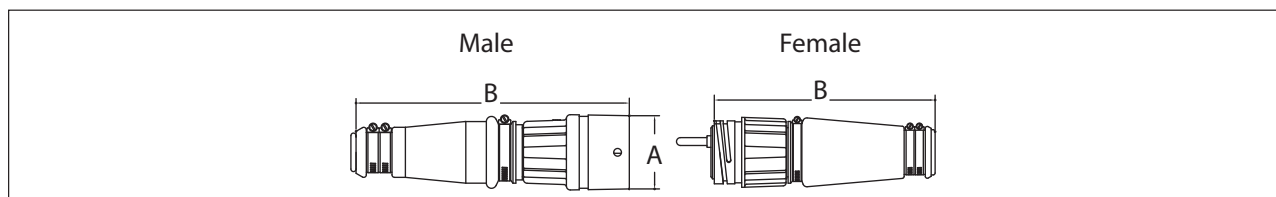


Ordering Information - 600 Volt Plugs:

Max. Cable Size (AWG)	Suggested Cable Rating	Connector Rating Only† Amps (600V)	Dimensions (Approximate Inches)		Cat. #		Protective Cap for Plug Receptacle Cat. #	
			A	B	Male	Female	Male	Female
For DC 2 Power + 1 Ground without Pilot Circuit Contacts								
4	70	125	4	13 ³ / ₁₆	X8323-4C	X8323-3C	3325656-2	3325656-1
2	95	160	4	13 ¹¹ / ₁₆	X8324-2C	X8324-1C	3325656-2	3325656-1
2 / 0	150	225	4 ³ / ₁₆	15 ⁵ / ₁₆	X8325-3C	X8325-2C	3325656-4	3325656-3
4 / 0	200	325	4 ⁵ / ₁₆	13 ¹⁵ / ₁₆	X8326-1C	X8326-2C	3325656-8	3325656-7
400 MCM	280	500	6	19 ⁹ / ₁₆	X8327-1C	X8326-2C	3325656-10	3325656-9
For DC 2 Power + 1 Ground with Pilot Circuit Contacts								
8	40	75	4	13 ³ / ₁₆	X8329-2C	X8329-1C	3325656-2	3325656-1
4	70	125	1	13 ³ / ₁₆	X8330-3C	X8330-4C	3325656-2	3325656-1
2	95	160	4 ³ / ₁₆	14 ¹⁵ / ₁₆	X8331-1C	X8331-4C	3325656-4	3325656-3
2 / 0	150	225	4 ⁵ / ₁₆	16 ¹⁵ / ₁₆	X8332-1C	X8332-8C	3325656-6	3325656-5
4 / 0	200	325	5	16 ¹ / ₂	X8333-4C	X8333-3C	3325656-8	3325656-7
300 MCM	240	425	6 ⁷ / ₁₆	22 ¹ / ₄	X8334-2C	X8334-1C	3325656-10	3325656-9
500 MCM	320	625	4 ⁷ / ₁₆	29 ¹⁵ / ₁₆	X8335-1C	X8335-2C	3325656-12	3325656-11
For AC 3 Power + 1 Ground without Pilot Circuit Contacts								
8	35	75	3 ⁵ / ₁₆	11 ¹³ / ₁₆	X8336-3D	X8336-2D	3325656-2	3325656-1
4	65	125	4	13 ⁹ / ₁₆	X8337-3D	X8337-4D	3325656-2	3325656-1
2	90	160	3 ⁷ / ₁₆	13 ¹ / ₁₆	X8338-2D	X8338-3D	3325656-4	3325656-3
2 / 0	135	225	4 ³ / ₁₆	14 ¹ / ₁₆	X8339-1D	X8339-2D	3325656-6	3325656-5
4 / 0	180	325	5	16 ¹ / ₂	X8340-5D	X8340-4D	3325656-8	3325656-7
300 MCM	220	425	6 ⁷ / ₁₆	22 ¹ / ₄	X8341-2C	X8341-1C	3325656-10	3325656-9
For AC 3 Power + 1 Ground with Pilot Circuit Contacts								
8	35	75	4	13 ³ / ₁₆	X8343-5D	X8343-4D	3325656-2	3325656-1
4	65	125	3 ⁷ / ₁₆	13	X8344-5D	X8344-4D	3325656-4	3325656-3
2	90	160	4 ³ / ₁₆	14 ¹ / ₁₆	X8345-5D	X8345-6D	3325656-6	3325656-5
2 / 0	135	225	4 ⁵ / ₁₆	13 ¹⁵ / ₁₆	X8346-2D	X8346-1D	3325656-6	3325656-7
4 / 0	180	325	6 ⁷ / ₁₆	21 ¹⁵ / ₁₆	X8347-2D	X8347-1D	3325656-8	3325656-9
400 MCM	250	500	7 ¹ / ₁₆	29 ¹ / ₁₆	X8348-3B	X8348-2B	3325656-10	3325656-11

†This is connector rating only. Operating rating must be based on cable capacity.

Dimensions:



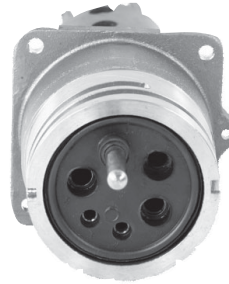
11P Quik-Loc™ Connectors

600 Volt Dust-tight Receptacles

Male and female receptacles use machined manganese bronze mounting shells with $\frac{3}{4}$ turn rotation.

Certifications and Compliances:

- 600 volt MSHA (Mine Safety Health Administration) approval for underground mining

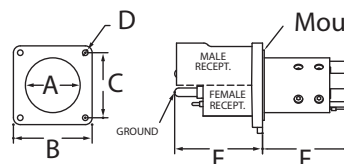


Ordering Information - 600 Volt Dust-tight Receptacles:

Cat. #		Dimensions (Approximate Inches)						Pilot Short Circuiting Cap or Fem. Rec. Cat. #
Male	Female	A	B	C	D	E	F	
For DC 2 Power + 1 Ground without Pilot Circuit Contacts								
X8323-13C	X8323-8C	2	$3\frac{3}{8}$	$2\frac{3}{4}$	$\frac{5}{16}$	$5\frac{7}{16}$	4	
X8324-13C	X8324-8C	2	$3\frac{3}{8}$	$2\frac{3}{4}$	$\frac{5}{16}$	$5\frac{9}{16}$	4	
X8325-13C	X8325-8C	$2\frac{5}{16}$	$3\frac{3}{8}$	$2\frac{7}{8}$	$\frac{5}{16}$	$5\frac{9}{16}$	$4\frac{1}{2}$	
X8326-13C	X8326-8C	3	$4\frac{1}{2}$	$3\frac{1}{2}$	$\frac{3}{8}$	$6\frac{7}{8}$	$5\frac{1}{16}$	
X8327-11C	X8327-6C	4	6	$4\frac{3}{4}$	$\frac{7}{16}$	$7\frac{1}{2}$	$6\frac{1}{16}$	
For DC 2 Power + 1 Ground with Pilot Circuit Contacts								
X8329-15C	X8329-10C	2	$3\frac{3}{8}$	$2\frac{3}{4}$	$\frac{5}{16}$	$4\frac{15}{16}$	4	X8329-3
X8330-16C	X8330-12C	2	$3\frac{3}{8}$	$2\frac{3}{4}$	$\frac{5}{16}$	$5\frac{7}{16}$	$3\frac{7}{8}$	X8330-7
X8331-15C	X8331-11C	$2\frac{5}{16}$	$3\frac{3}{8}$	$2\frac{7}{8}$	$\frac{5}{16}$	$5\frac{9}{16}$	$4\frac{1}{2}$	X8331-6
X8332-16C	X8332-13C	$2\frac{5}{8}$	4	$3\frac{1}{8}$	$\frac{5}{16}$	$6\frac{1}{16}$	$4\frac{15}{16}$	X8332-9
X8333-7C	X8333-1C	3	$4\frac{1}{2}$	$3\frac{1}{2}$	$\frac{3}{8}$	$6\frac{1}{2}$	$5\frac{1}{16}$	X8333-12
X8334-15C	X8334-10C	4	6	$4\frac{3}{4}$	$\frac{7}{16}$	$7\frac{9}{16}$	$6\frac{1}{16}$	X8334-5
X8335-8C	X8335-4C	5	$7\frac{1}{4}$	$5\frac{5}{8}$	$\frac{9}{16}$	$8\frac{7}{8}$	$6\frac{1}{4}$	X8335-6
For AC 3 Power + 1 Ground without Pilot Circuit Contacts								
X8336-13D	X8336-8D	2	$3\frac{3}{8}$	$2\frac{3}{4}$	$\frac{5}{16}$	$5\frac{7}{16}$	4	
X8337-14C	X8337-11C	2	$3\frac{3}{8}$	$2\frac{3}{4}$	$\frac{5}{16}$	$5\frac{7}{16}$	4	
X8338-13C	X8338-8C	$2\frac{5}{16}$	$3\frac{3}{8}$	$2\frac{7}{8}$	$\frac{5}{16}$	$5\frac{9}{16}$	$4\frac{1}{2}$	
X8339-13C	X8339-3C	$2\frac{5}{8}$	4	$3\frac{1}{4}$	$\frac{5}{16}$	$6\frac{1}{16}$	$4\frac{15}{16}$	
X8340-2C	X8340-10C	3	$4\frac{1}{2}$	$3\frac{1}{2}$	$\frac{3}{8}$	$6\frac{1}{2}$	$5\frac{1}{16}$	
For AC 3 Power + 1 Ground with Pilot Circuit Contacts								
X8343-16C	X8343-12C	2	$3\frac{3}{8}$	$2\frac{3}{4}$	$\frac{5}{16}$	$5\frac{9}{16}$	4	X8343-7
X8344-2C	X8344-1C	$2\frac{5}{16}$	$3\frac{3}{8}$	$2\frac{7}{8}$	$\frac{5}{16}$	$5\frac{7}{16}$	$4\frac{1}{2}$	X8344-6
X8345-15C	X8345-10C	$2\frac{5}{8}$	4	$3\frac{1}{4}$	$\frac{5}{16}$	$5\frac{11}{16}$	$4\frac{15}{16}$	X8345-3
X8346-13C	X8346-8C	3	$4\frac{1}{2}$	$3\frac{1}{2}$	$\frac{3}{8}$	$6\frac{3}{16}$	$5\frac{1}{16}$	X8346-3
X8347-13C	X8347-8C	4	6	$4\frac{3}{4}$	$\frac{7}{16}$	$6\frac{5}{16}$	$6\frac{1}{16}$	X8347-3
X8348-10B	X8348-7B	5	$7\frac{1}{4}$	$5\frac{5}{8}$	$\frac{9}{16}$	$8\frac{7}{8}$	$6\frac{1}{4}$	X8348-8

Dimensions:

Panel Opening



Mounting Compression

600 Volt Receptacles for Permissible Enclosures

Short circuiting cap - used to jumper the pilot circuit in a disengaged connector when series wired control line to other equipment must be closed.



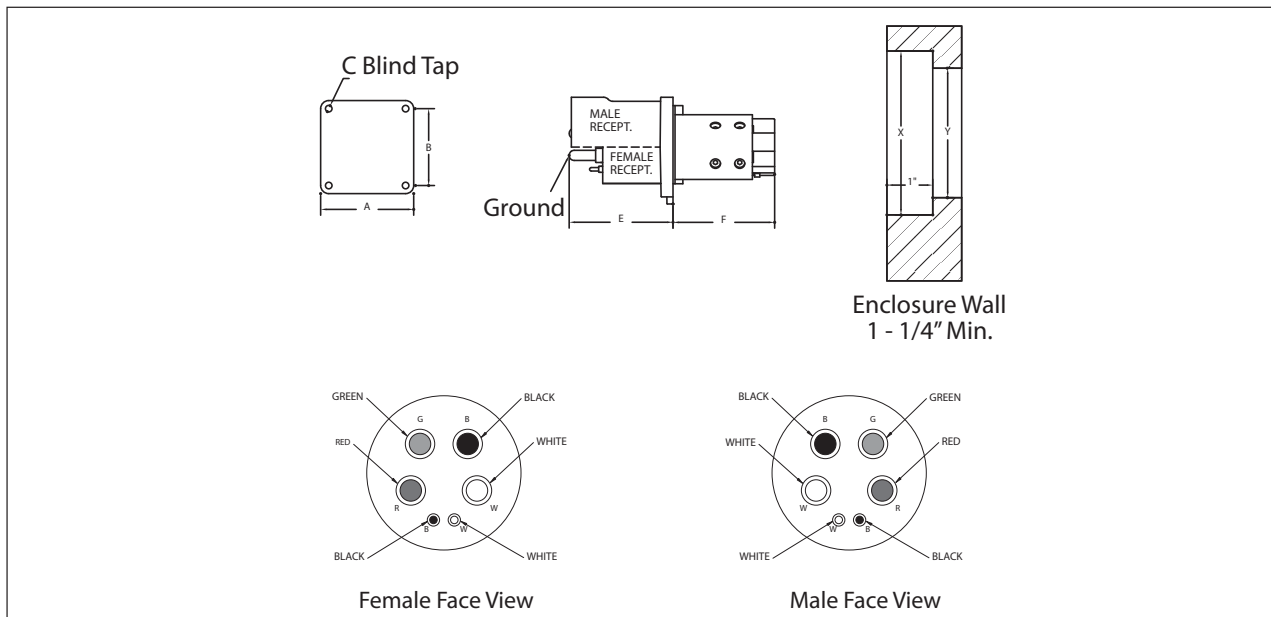
Certifications and Compliances:

- 600 volt MSHA (Mine Safety Health Administration) approval for underground mining

Ordering Information - 600 Volt Receptacles for Permissible Enclosures:

Cat. #		Dimensions (Approximate Inches)							Pilot Short Circuiting Cap or Fem. Rec. Cat. #
Male	Female	A	B	C	D	E	X	Y	
For DC 2 Power + 1 Ground with Pilot Circuit Contacts									
X8329-13C	X8329-8C	4 ¹ / ₈	2 ⁷ / ₈	1/2-13	5 ⁷ / ₁₆	4	2 ³ / ₄	2	X8329-3
X8330-14C	X8330-10C	4 ¹ / ₈	2 ⁷ / ₈	1/2-13	5 ⁷ / ₁₆	3 ⁷ / ₈	2 ³ / ₄	2	X8330-7
X8331-13C	X8331-9C	4 ¹ / ₂	3 ¹ / ₄	1/2-13	4 ⁹ / ₁₆	4 ¹ / ₂	3	2 ⁵ / ₁₆	X8331-6
X8332-14C	X8332-11C	4 ³ / ₄	3 ¹ / ₂	1/2-13	6 ¹ / ₁₆	4 ¹⁵ / ₁₆	3 ³ / ₈	2 ⁵ / ₈	X8332-9
X8333-14C	X8333-10C	5	3 ³ / ₄	1/2-13	5 ¹ / ₂	4 ¹³ / ₁₆	3 ³ / ₄	2 ¹⁵ / ₁₆	X8333-12
X8334-13C	X8334-8C	6	4 ⁷ / ₈	1/2-13	6 ³ / ₁₆	5 ¹³ / ₁₆	5 ¹ / ₈	3 ¹⁵ / ₁₆	X8334-5
For AC 3 Power + 1 Ground with Pilot Circuit Contacts									
X8343-14C	X8343-10C	4 ¹ / ₈	2 ⁷ / ₈	1/2-13	5 ⁷ / ₁₆	4	2 ³ / ₄	2	X8343-7
X8344-12C	X8344-8C	4 ¹ / ₂	3 ¹ / ₄	1/2-13	5 ⁷ / ₁₆	4 ¹ / ₂	3	2 ⁵ / ₁₆	X8344-6
X8345-15C	X8345-10C	4 ³ / ₄	3 ¹ / ₂	1/2-13	5 ¹¹ / ₁₆	4 ³ / ₁₆	3 ³ / ₈	2 ⁵ / ₈	X8345-3
X8346-11C	X8346-6C	5	3 ³ / ₄	1/2-13	6 ³ / ₁₆	5 ¹ / ₁₆	3 ³ / ₄	2 ¹⁵ / ₁₆	X8346-3
X8347-11C	X8347-6C	6	3 ⁷ / ₈	1/2-13	6 ¹⁵ / ₁₆	6 ¹ / ₁₆	5 ¹ / ₈	3 ¹⁵ / ₁₆	X8347-3

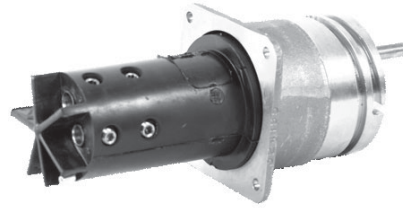
Dimensions:



11P Quik-Loc™ Connectors

600 Volt Accessories

Receptacles mate with the attachable plugs and are equipped with sleeve-type wiring terminals and molded neoprene wiring barriers. Bronze alloy mounting shells and molded neoprene inserts protect against almost any environment. Receptacles are available as dust-tight and for permissible use.



Certifications and Compliances:

- 600 volt MSHA (Mine Safety Health Administration) approval for underground mining

Ordering Information - 600 Volt Accessories:

Molded Insert		Mounting Shell			
Male Cat. #	Female Cat. #	Dust-tight		Permissible	
		Male Cat. #	Female Cat. #	Male Cat. #	Female Cat. #
X8323-2	X8323-1	A324289	324088	-	-
X8324-3	X8324-4	A324289	324088	-	-
X8325-4	X8325-1	A324357	324063	-	-
X8326-5	X8326-4	A324232	324059	-	-
X8327-14	X8327-13	A324166	324094	-	-
X8329-4	X8329-5	A324289	324088	A324292	324300
X8330-5	X8330-6	A324289	324088	A324292	324300
X8331-5	X8331-3	A324357	324063	A324350	324353
X8332-7	X8332-5	A324119	324093	A324206	324198
X8333-6	X8333-5	A324232	324059	A324231	324238
X8334-3	X8334-4	A324166	324094	A324174	324170
X8335-11	X8335-10	324095	324065	-	-
X8336-4	X8336-1	A324289	324088	-	-
X8337-6	X8337-7	A324289	324088	-	-
X8338-4	X8338-1	A324357	324063	-	-
X8339-6	X8339-5	A324119	324093	-	-
X8344-16	X8344-15	A324357	324063	A324350	324353
X8345-2	X8345-1	A324119	324093	A324206	324198
X8346-16	X8346-15	A324232	324059	A324231	324238
X8347-16	X8347-15	A324166	324094	A324174	324170
X8348-4	X8348-5	324095	324065	-	-

600 Volt Sleeves and Grommets

Elastomeric molded sleeve and grommet design support flexible field installation with multi-conductor cables.

Sleeve and grommet capability promote environmental protection with superior chemical resistance.

Ordering Information - 600 Volt Sleeves and Grommets:

Listed below are the sleeve and grommet catalog numbers which are supplied with each plug.

Plug Cat. #	Sleeve Cat. #	Grommet #1 Cat. #	Grommet #2 Cat. #	Grommet #3 Cat. #	Plug Cat. #	Sleeve Cat. #	Grommet #1 Cat. #	Grommet #2 Cat. #	Grommet #3 Cat. #
X8323	325298	313305-1	313305-2	313305-5	X8336	325298	313305-2	-	-
X8324	325298	313305-1	313305-2	313305-5	X8337	325298	313305-1	313305-2	-
X8325	325292	313327-1	313327-2	313327-7	X8338	325292	313327-1	313327-2	-
X8326	325245	324153-1	324153-2	-	X8339	325286	324044-1	324044-2	-
X8327	325271	324089-1	324089-2	-	X8340	325245	324153-1	324153-2	-
X8329	325298	313305-2	-	-	X8341	325271	313089-1	313089-2	-
X8330	325298	313305-1	313305-2	313305-5	X8343	325298	313305-1	-	-
X8331	325292	313327-2	313327-3	313327-6	X8344	325292	313327-2	313327-3	-
X8332	325286	324044-1	324044-2	324044-5	X8345	325286	324044-3	324044-4	-
X8333	325245	324153-1	324153-2	324153-6	X8346	325245	324153-2	324153-3	-
X8334	325271	324089-1	324089-2	-	X8347	325271	324089-2	324089-3	-
X8335	325305	324024-4	324024-5	-	X8348	325305	324024-4	324024-5	-

For round cable: select grommet that adapts inside diameter of sleeve (supplied on plug) to outside diameter of cable being used.

Sleeve Cat. #	Fits Cable (Without Grommet)		Extension Range of "Adapter Grommets" for Sleeves Listed at Left					
	From	To	Grommet Cat. #	Range	Grommet Cat. #	Range	Grommet Cat. #	Range
325298	1.500	1.250	313305-3	1.250 1.000	313305-2	1.000 0.750	313305-3	0.750 0.562
325292	1.813	1.562	313327-1	1.562 1.312	313327-2	1.312 1.062	313327-3	1.062 0.812
325286	2.000	1.812	324044-1	1.812 1.625	324044-2	1.625 1.437	324044-3	1.437 1.250
325245	2.375	2.125	324153-1	2.125 1.937	324153-2	1.937 1.750	324153-3	1.750 1.562
325271	2.937	2.625	324089-1	2.625 2.312	324089-2	2.312 2.000	324089-3	2.000 1.812
325305	3.281	3.000	324024-4	3.000 2.812	324024-5	2.812 2.625	324024-6	2.625 2.531

Sleeve Cat. #	Fits Cable (Without Grommet)		Extension Range of "Adapter Grommets" for Sleeves Listed at Left			
	From	To	Grommet Cat. #	Range	Grommet Cat. #	Range
325298	1.500	1.250	-	-	-	-
325292	1.813	1.562	313327-4	0.812 0.625	-	-
325286	2.000	1.812	324044-4	1.250 1.062	-	-
325245	2.375	2.125	324153-4	1.562 1.375	-	-
325271	2.937	2.625	-	-	-	-
325305	3.281	3.000	324024-2	2.531 2.312	324024-3	2.312 2.125

11P

11P Quik-Loc™ Connectors

600 Volt Sleeves and Grommets

Ordering Information - 600 Volt Sleeves and Grommets:

For Twin W and Twin G cable: select grommet that adapts inside diameter of sleeve (supplied on plug) to outside diameter of cable being used.

Wire Size†	#8		#6		#4		#3		#2	
Cable	.51	.51	.56	.56	.61	.61	.68	.68	.73	.73
Dimensions	X	X	X	X	X	X	X	X	X	X
	.84	.92	.93	1.02	1.05	1.15	1.14	1.26	1.35	1.40

Sleeve Cat. #	Grommets Cat. #
325298	313305-4
325292	313327-6
325286	
325245	

Wire Size†	#1		#1 / 0		#2 / 0		#3 / 0		#4 / 0	
Cable	.81	.81	.93	.93	.99	.99	1.03	1.03	1.10	1.10
Dimensions	X	X	X	X	X	X	X	X	X	X
	1.40	1.55	1.51	1.67	1.63	1.85	1.77	2.00	1.89	2.10

Sleeve Cat. #	Grommets Cat. #
325298	
325292	313327-7
325286	324044-5
325245	324153-5 324153-6

†Major and minor axis of Twin W and Twin G type cables.



11P

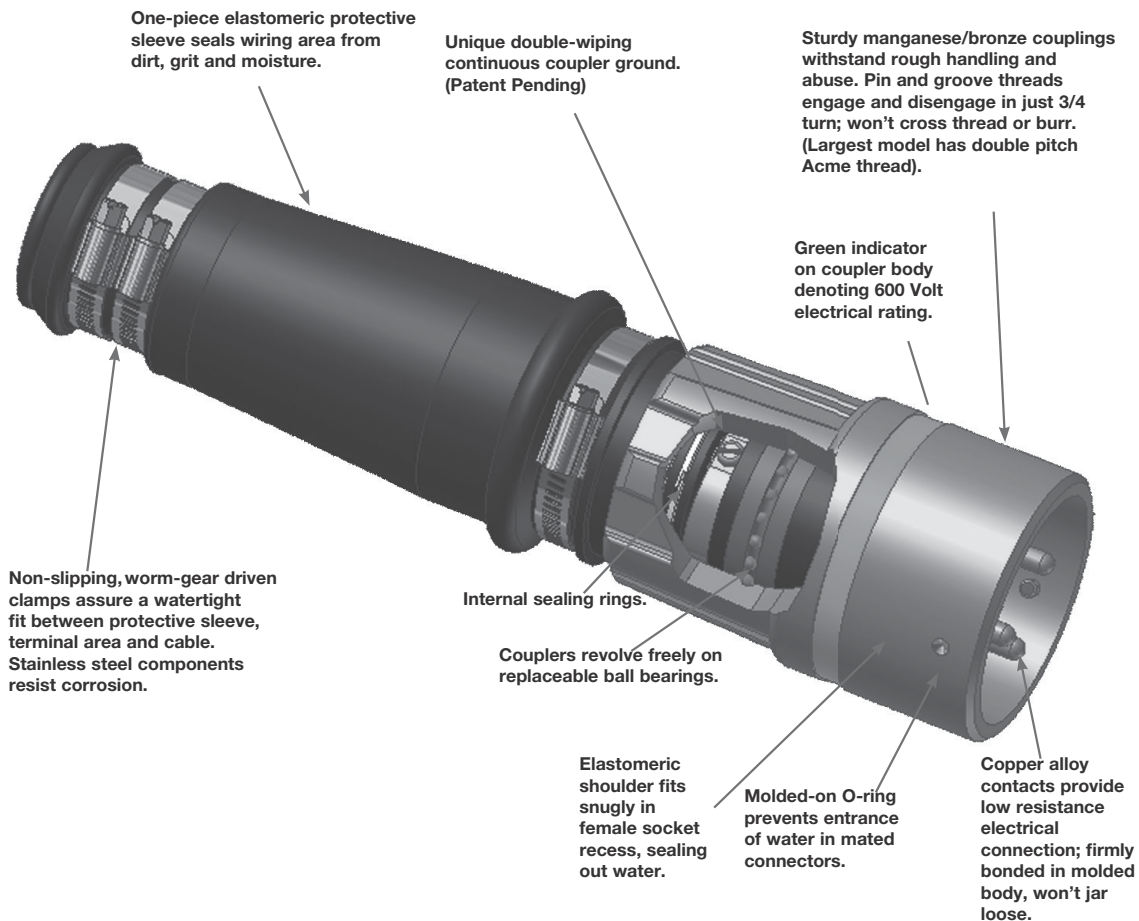
600 Volt Grounded

Applications:

- Drills
- Shuttle cars
- Conveyors
- Power distribution
- Slusher hoists
- Motors
- Heavy equipment
- Ship-to-shore power

Features:

- Grounded coupler - machined manganese bronze hardware connected to ground contact
- Copper alloy contacts - machined copper alloy D-shaped contacts provide additional set screw threads
- Field attachable - quick field assembly requires standard tools with color-coded wiring terminals indicating proper conductor locations; dual set screw design enhances connection
- Quick disconnect - couplers with "pin and groove" design support engagement and disengagement in just 3/4 turn; couplers revolve freely on replaceable ball bearings
- Visual indicator - green coupler marker identifies 600 volt product rating
- Watertight - compression fit of neoprene components and cable hugging grommets provide a moisture-tight seal; positive water seal between mated connectors is provided by an o-ring type seal molded to the connector



11P

11P Quik-Loc™ Connectors

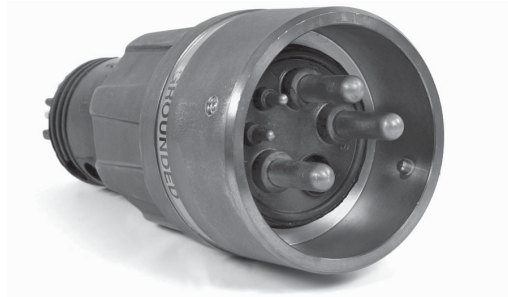
600 Volt Grounded Plugs

"G" Series Quik-Loc™ product constructed with durable elastomeric compound, machined manganese bronze coupler, and copper alloy contact design.

Heavy duty ground spring provides sturdy circuit-to-ground contact and coupler to ensure electrical safety.

Certifications and Compliances:

- 600 volt "G" Series CSA certified on File No. LR13963 for mining applications

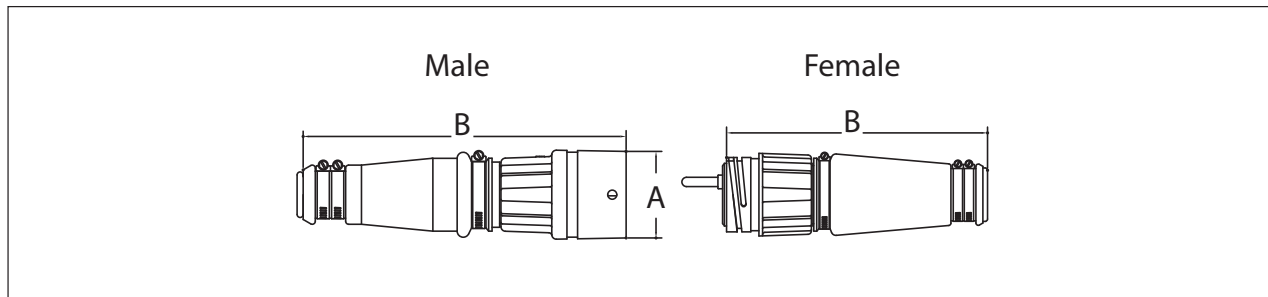


Ordering Information - 600 Volt Grounded Plugs:

Max. Cable Size (AWG)	Suggested Cable Rating	Connector Rating Only† Amps (600V)	Dimensions (Approximate Inches)		Cat. #		Protective Cap for Plug Receptacle Cat. #	
			A	B	Male	Female	Male	Female
For AC 3 Power + 1 Ground without Pilot Circuit Contacts								
2 / 0	135	225	4 ³ / ₁₆	14 ¹ / ₁₆	X8339-1G	X8339-2G	3325656-6	3325656-3
4 / 0	180	325	5	16 ¹ / ₂	X8340-5G	X8340-4G	3325656-8	3325656-7
For AC 3 Power + 1 Ground with Pilot Circuit Contacts								
8	35	75	4	13 ⁷ / ₁₆	X8343-5G	X8343-4G	3325656-2	3325656-1
4	65	125	3 ⁷ / ₈	13	X8344-5G	X8344-4G	3325656-4	3325656-3
2	90	160	4 ³ / ₁₆	14 ¹ / ₁₆	X8345-5G	X8346-6G	3325656-6	3325656-5
2 / 0	135	225	4 ⁵ / ₈	13 ¹⁵ / ₁₆	X8346-2G	X8646-1G	3325656-6	3325656-7
4 / 0	180	325	6 ⁷ / ₁₆	21 ¹⁵ / ₁₆	X8347-2G	X8347-1G	3325656-8	3325656-9
400 MCM	250	500	7 ⁷ / ₁₆	29 ¹ / ₁₆	X8348-3G	X8348-2G	3325656-10	3325656-11

†This is connector rating only. Operating rating must be based on cable capacity.

Dimensions:



600 Volt Grounded Dust-tight Receptacles

The "G" Series Quik-Loc™ receptacle mates with attachable plug to ensure reliable electrical connection and environmental protection.

Certifications and Compliances:

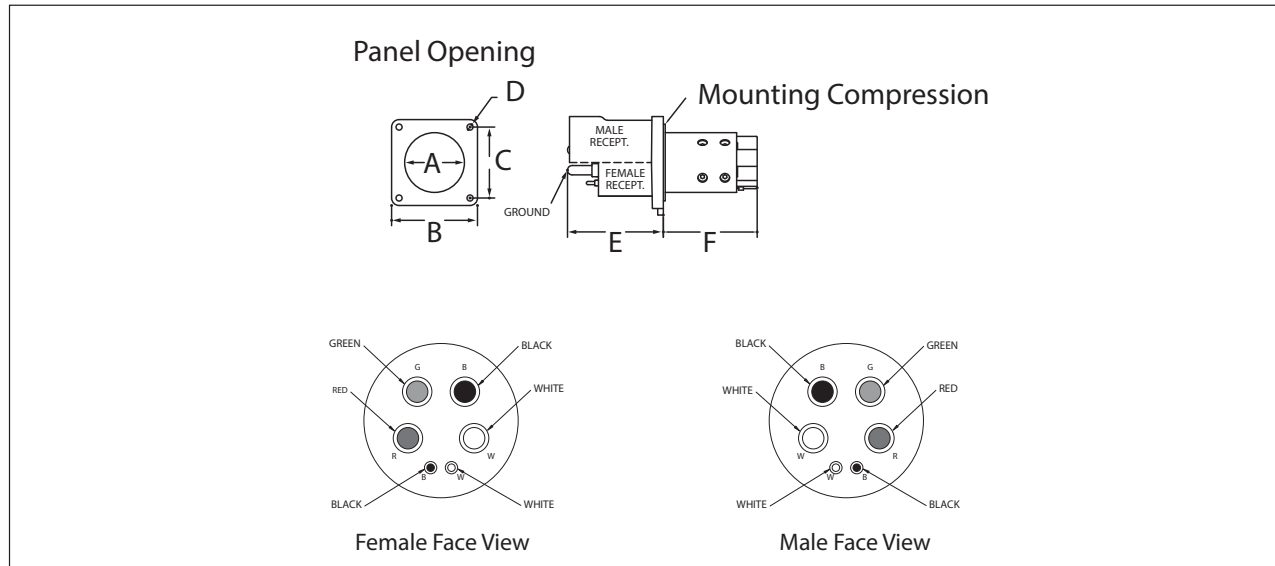
- 600 volt "G" Series CSA certified on File No. LR13963 for mining applications



Ordering Information - 600 Volt Grounded Dust-tight Receptacles:

Cat. #		Dimensions (Approximate Inches)						Pilot Short Circuiting Cap or Fem. Rec. Cat. #
Male	Female	A	B	C	D	E	F	
For AC 3 Power + 1 Ground without Pilot Circuit Contacts								
X8339-13C	X8339-3C	2 ⁵ / ₈	4	3 ¹ / ₄	5 ¹ / ₁₆	6 ¹ / ₁₆	4 ¹⁵ / ₁₆	
X8340-2C	X8340-10C	3	4 ¹ / ₂	3 ¹ / ₂	3 ³ / ₈	6 ¹ / ₂	5 ¹ / ₁₆	
For AC 3 Power + 1 Ground with Pilot Circuit Contacts								
X8343-16C	X8343-12C	2	3 ³ / ₈	2 ³ / ₄	5 ¹ / ₁₆	5 ⁵ / ₁₆	4	X8343-7
X8344-2C	X8344-1C	2 ⁵ / ₁₆	3 ⁵ / ₈	2 ¹ / ₈	5 ¹ / ₁₆	5 ¹ / ₁₆	4 ¹ / ₂	X8344-6
X8345-15C	X8345-10C	2 ⁵ / ₈	4	3 ¹ / ₄	5 ¹ / ₁₆	5 ¹¹ / ₁₆	4 ¹⁵ / ₁₆	X8345-3
X8346-13C	X8346-8C	3	4 ¹ / ₂	3 ¹ / ₂	3 ³ / ₈	6 ³ / ₁₆	5 ¹ / ₁₆	X8346-3
X8347-13C	X8347-8C	4	6	4 ³ / ₄	7 ¹ / ₁₆	6 ¹⁵ / ₁₆	6 ¹ / ₁₆	X8347-3
X8348-10B	X8348-7B	5	7 ¹ / ₄	5 ⁷ / ₈	9 ¹ / ₁₆	8 ⁷ / ₈	6 ¹ / ₄	X8348-8

Dimensions:



11P

11P Quik-Loc™ Connectors

1000 Volt Grounded

The medium voltage Quik-Loc™ Connector was designed for service under the most severe mining conditions. The resilient elastomeric molded body, along with a uniquely grounded coupling, provide a tough, watertight, corrosion-resistant connection that is practically indestructible.

Features:

- Corrosion-resistant - molded elastomeric components, manganese bronze couplings, stainless steel clamps, and copper alloy contacts are unaffected by most chemicals and acids
- Field attachable - quick field assembly requires no special tools; color-labeled wiring terminals indicate proper conductor locations; set screws hold conductors in place; clamps secure protective sleeve over terminal area
- Quick disconnect - couplers with "pin and groove" design revolve on low friction ball bearings, permitting positive engagement or disengagement in just 3/4 turn; sealing rings under coupler protect grounding mechanism and bearings from dirt and grime, making the coupler easier to rotate
- Safe - unique, positively grounded coupler and heavy elastomeric molded body and sleeve provide electrical protection; a reversed ground pin assures positive polarization
- Watertight - compression fit of elastomeric components and a cable hugging grommet provide a moisture-tight seal; a positive water seal between mated connectors is provided by an o-ring type seal molded to the connector face; a double seal is provided by elastomeric shoulders around each male contact, which fit like a cork within the female socket



11P

1000 Volt Grounded Plugs

The 1000 volt Quik-Loc™ Connector is constructed with durable elastomeric compound, machined manganese bronze coupler, and copper alloy contact design.

Heavy duty ground spring provides sturdy circuit-to-ground contact and coupler to ensure electrical safety.

Manganese coupler thread with 165° design to prevent intermating with 600 volt product.

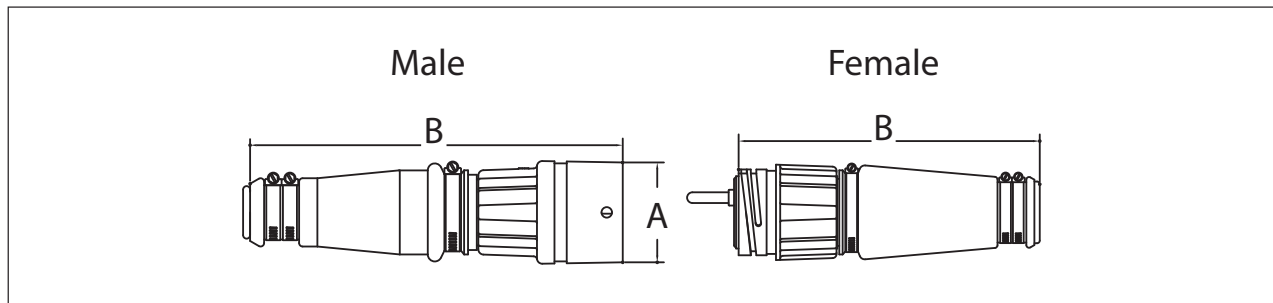


Ordering Information - 1000 Volt Grounded Plugs:

Cat. #	Max. Cable Size (AWG)	90°C, 1000V Ratings		Dimensions (Approximate Inches)		Protective Cap for Plug or Receptacle Cat. #
		Cable Only	Connector Only†	A	B	Male
1000V for AC 3 Power + 1 Ground with Pilot Circuit Contacts						
568024-1	8	59	75	3 ⁷ / ₈	11 ¹³ / ₁₆	3325656-2
568025-1	4	104	125	3 ⁷ / ₈	13	3325656-4
568026-1	2	138	160	4 ³ / ₁₆	14 ⁷ / ₁₆	3325656-6
568027-1	2 / 0	215	225	4 ⁹ / ₈	13 ¹⁵ / ₁₆	3325656-8
568028-1	4 / 0	287	325	6	19 ⁹ / ₁₆	3325656-10
568029-1	500 MCM	487	500	7 ⁹ / ₁₆	23 ⁹ / ₁₆	3325656-11

†This is connector rating only. Operating rating must be based on cable capacity.

Dimensions:



11P Quik-Loc™ Connectors

1000 Volt Dust-tight Receptacles

The 1000 volt Quik-Loc™ Receptacle mates with attachable plug to ensure reliable electrical connection and environmental protection.

Manganese receptacle shell thread design with 165° design to prevent intermate with 600 volt product.

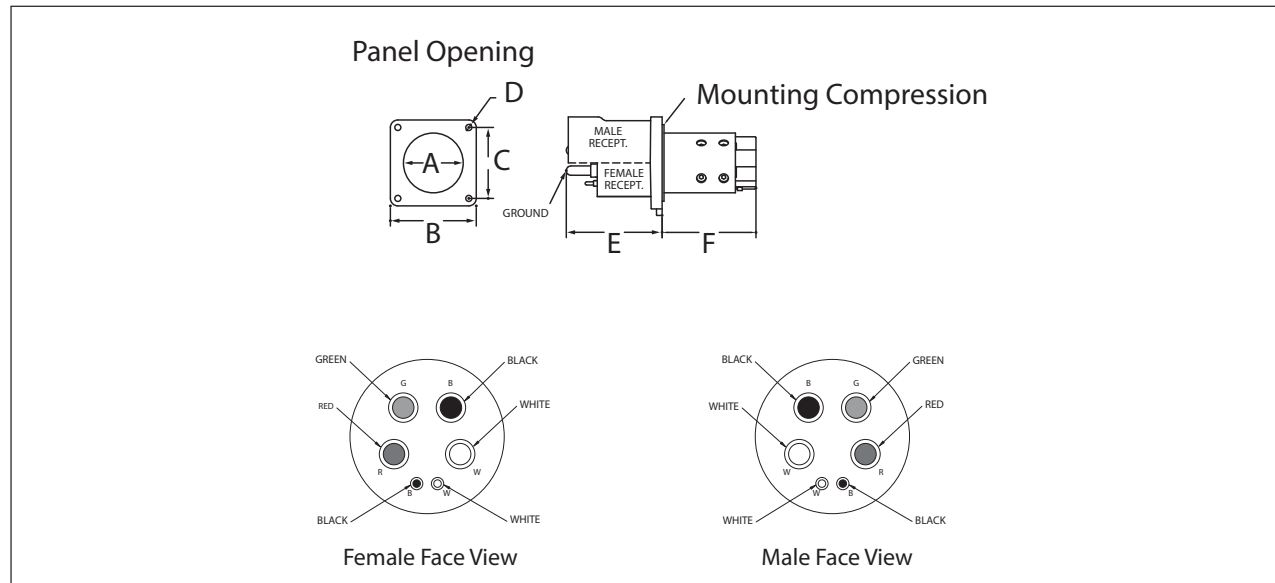


Ordering Information - 1000 Volt Dust-tight Receptacles:

Cat. #	Max. Cable Size (AWG)	90°C, 1000V Ratings		Dimensions (Approximate Inches)		Protective Cap for Plug or Receptacle Cat. #
		Cable Only	Connector Only†	A	B	
1000V for AC 3 Power + 1 Ground with Pilot Circuit Contacts						
568024-2	8	59	75	3 ⁵ / ₈	11 ¹³ / ₁₆	3326195
568025-2	4	104	125	3 ⁷ / ₈	13	3326196
568026-2	2	138	160	4 ³ / ₁₆	14 ¹ / ₁₆	3326197
568027-2	2 / 0	215	225	4 ⁵ / ₈	13 ¹⁵ / ₁₆	3326198
568028-2	4 / 0	287	325	6	19 ⁹ / ₁₆	3326199
568029-2	500 MCM	487	500	7 ⁵ / ₁₆	23 ⁹ / ₁₆	3325656-12

†This is connector rating only. Operating rating must be based on cable capacity.

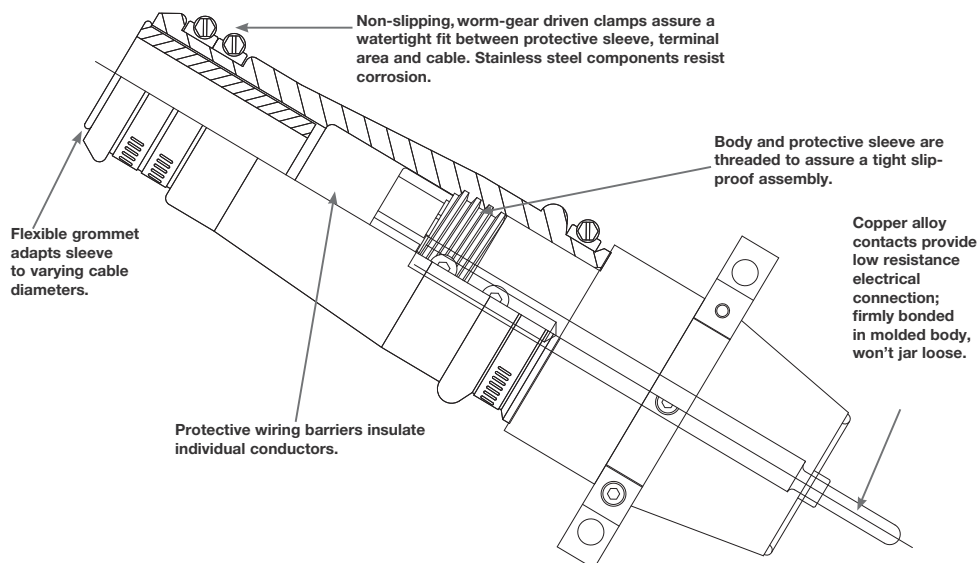
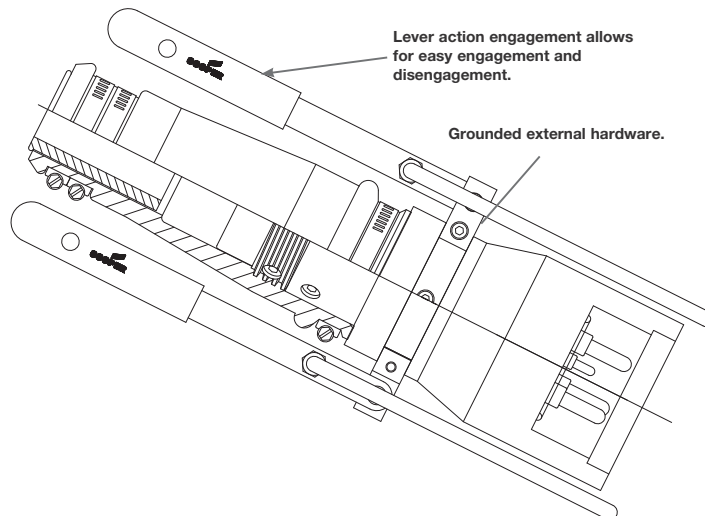
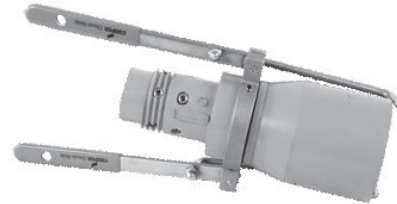
Dimensions:



"L" Series Lever Action

Features:

- Quick disconnect - lever action engagement allows for easy assembly and disassembly
- Safe - grounded brackets connected to ground contact support electrical safety of plug and receptacle
- Protected contacts - extended male shroud protects contacts while disengaged; recessed contacts prevent arcing and slip easy contact designs allows for maximum engagement while ensuring high conductivity
- Visual indicator - color-coded plugs allow for quick identification for ampacity rating
- Corrosion-resistant - stainless steel handles and levers resist corrosion
- Rugged - neoprene body is impact- and chemical-resistant and designed to support rugged, harsh environments
- Intermateable - fully intermateable with competitive lever style connectors



11P

11P Quik-Loc™ Connectors

"L" Series Lever Action Plugs

The "L" Series Lever Action Connector is a one-piece neoprene molded body that provides rugged, durable, and reliable service.

Color-coded male and female plugs support easy identification of circuit ampacity ratings.

Certifications and Compliances:

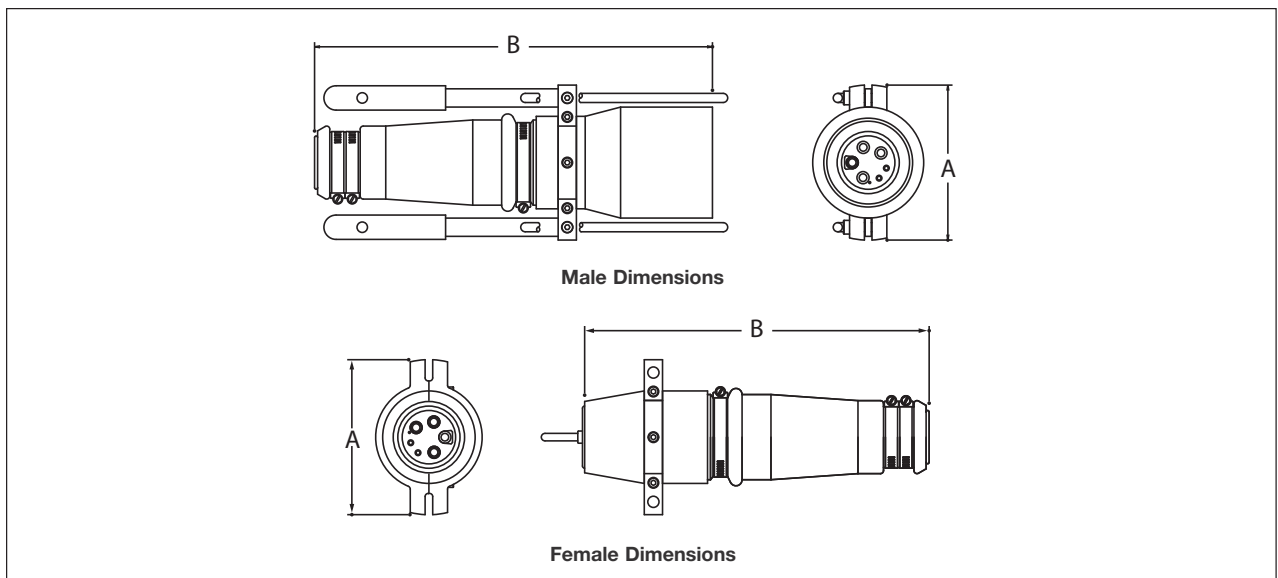
- CSA certified on File No. LR13963



Ordering Information - "L" Series Lever Action Plugs:

Max. Cable Size (AWG)	Connector Rating 600V	Cat. #		Dimensions (Approximate Inches)				Color	Protective Caps Cat. #	
		Male	Female	Male A	Male B	Female A	Female B		Male	Female
8	75A	X8343-5L	X8343-4L	16 ³ / ₈	6 ³ / ₈	14 ³ / ₁₆	6 ³ / ₈	Blue	L-MAL-CAP-1	L-FEM-CAP-1
4	125A	X8344-5L	X8344-4L	16 ³ / ₈	6 ³ / ₈	14 ³ / ₁₆	6 ³ / ₈	Red	L-MAL-CAP-1	L-FEM-CAP-1
2	160A	X8345-5L	X8345-6L	16 ³ / ₈	6 ³ / ₈	14 ³ / ₁₆	6 ³ / ₈	Orange	L-MAL-CAP-1	L-FEM-CAP-1
2 / 0	225A	X8346-2L	X8346-2L	16 ³ / ₈	6 ³ / ₈	16 ¹ / ₈	6 ³ / ₈	Black	L-MAL-CAP-1	L-FEM-CAP-2

Dimensions:

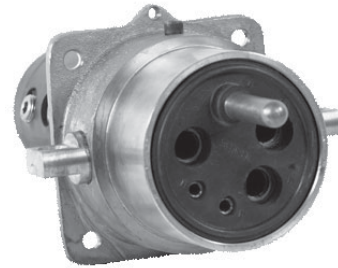


11P

"L" Series Lever Action Receptacles

The "L" Series female receptacle grounded shell, attached to the ground contact, ensures electrical safety.

The lever action receptacle shell provides easy assembly and disassembly with reduced effort.



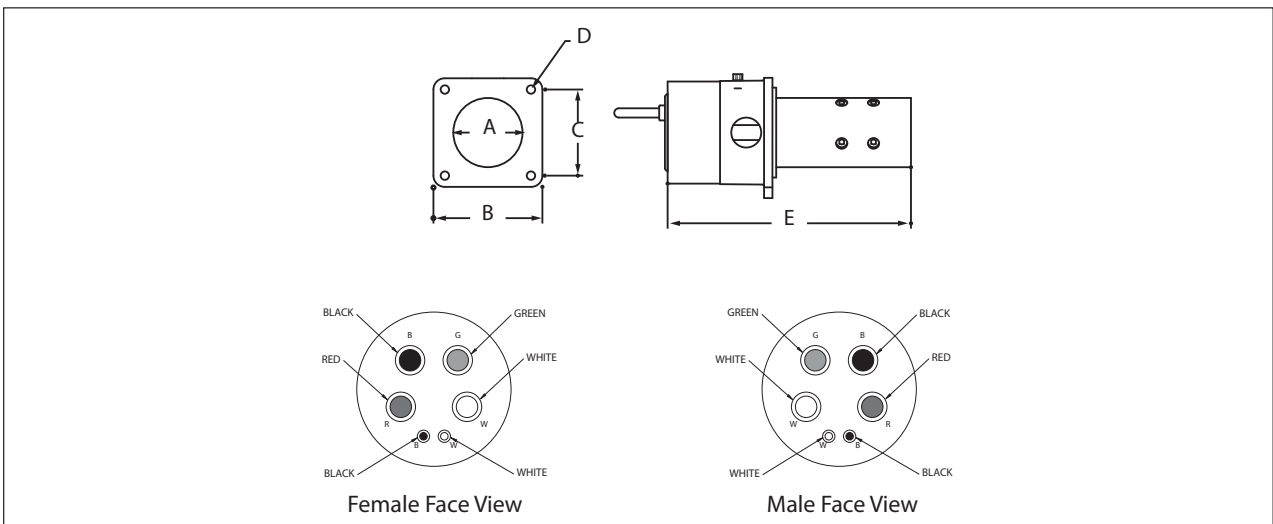
Certifications and Compliances:

- CSA certified on File No. LR13963

Ordering Information - "L" Series Lever Action Receptacles:

Max. Cable Size (AWG)	Connector Rating 600V	Cat. # Female	Dimensions (Approximate Inches)					Color	Protective Caps
			A	B	C	D	E		Cat. # Female
8	75A	X8343-12L	2	3 ¹¹ / ₁₆	2 ³ / ₄	9 ¹ / ₃₂	7 ⁹ / ₁₆	Blue	L-FEM-CAP-1
4	125A	X8344-1L	2 ⁵ / ₁₆	3 ¹¹ / ₁₆	2 ⁷ / ₈	9 ¹ / ₃₂	8 ¹ / ₈	Red	L-FEM-CAP-1
2	160A	X8345-10L	2 ⁵ / ₈	3 ¹¹ / ₁₆	3 ¹ / ₄	9 ¹ / ₃₂	9 ¹ / ₁₆	Orange	L-FEM-CAP-1
2 / 0	225A	X8346-8L	3 ¹ / ₂	4 ⁹ / ₁₆	3	1 ¹ / ₃₂	8 ⁷ / ₈	Black	L-FEM-CAP-2

Dimensions:



11P