



MARCUS

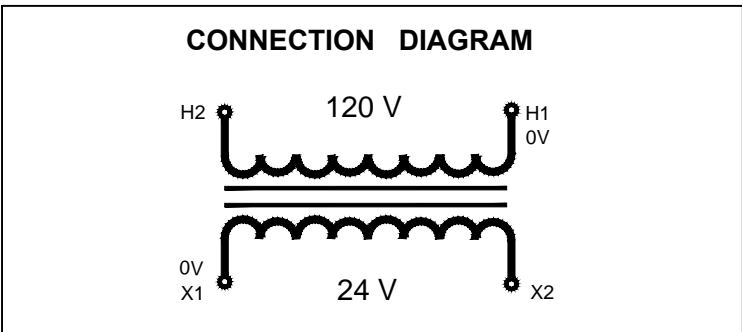
Marcus Transformer LTD
 Phone: 1-800-267-7376
 Fax: 1-866-205-7526
 Email: Info@marcustransformer.com

TECHNICAL DATA

SINGLE PHASE CONTROL TRANSFORMER

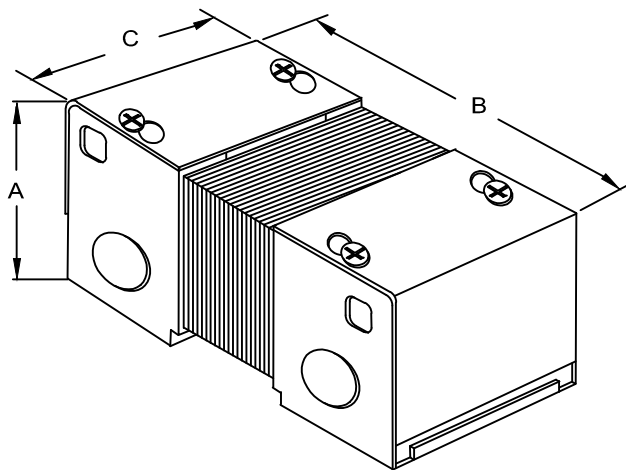
DESCRIPTION

MODEL	MC500B
Type	Enclosed, Indoor application
VA	500
Primary (Volts)	120
Secondary (Volts)	24
Input /Output Amps	4.17 / 20.83
Temperature Rise	95°C
Insulation Class	B (130°C)
Frequency	60Hz
Polarity	additive
Noise level	less than 40DB
Winding	Copper
Approvals	UL listed CSA approved

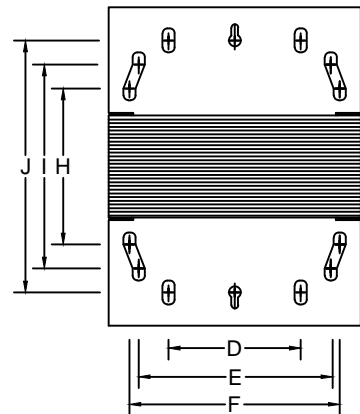
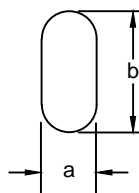


WIRING CONNECTION

PRIMARY :	
VOLTS 120	CONNECT LINES TO : H1-H2
SECONDARY :	
VOLTS 24	CONNECT LINES TO : X1-X2



LETTER	MOUNTING SLOTS INCHES / MM a b
V	0.30 x 0.560 7.6 x 14.2



DIMENSIONS INCHES / MM

VA	A	B	C	D	E	F	G	H	I	J	K	L	M	SHIP WEIGHT LBS / KG
500	4.70 119.4	6.63 168.4	5.25 133.4	2.75 69.9	4.00 101.6	4.38 111.3		3.25(V) 82.6	4.25(V) 108.0	5.25(V) 133.4				14.50 6.6